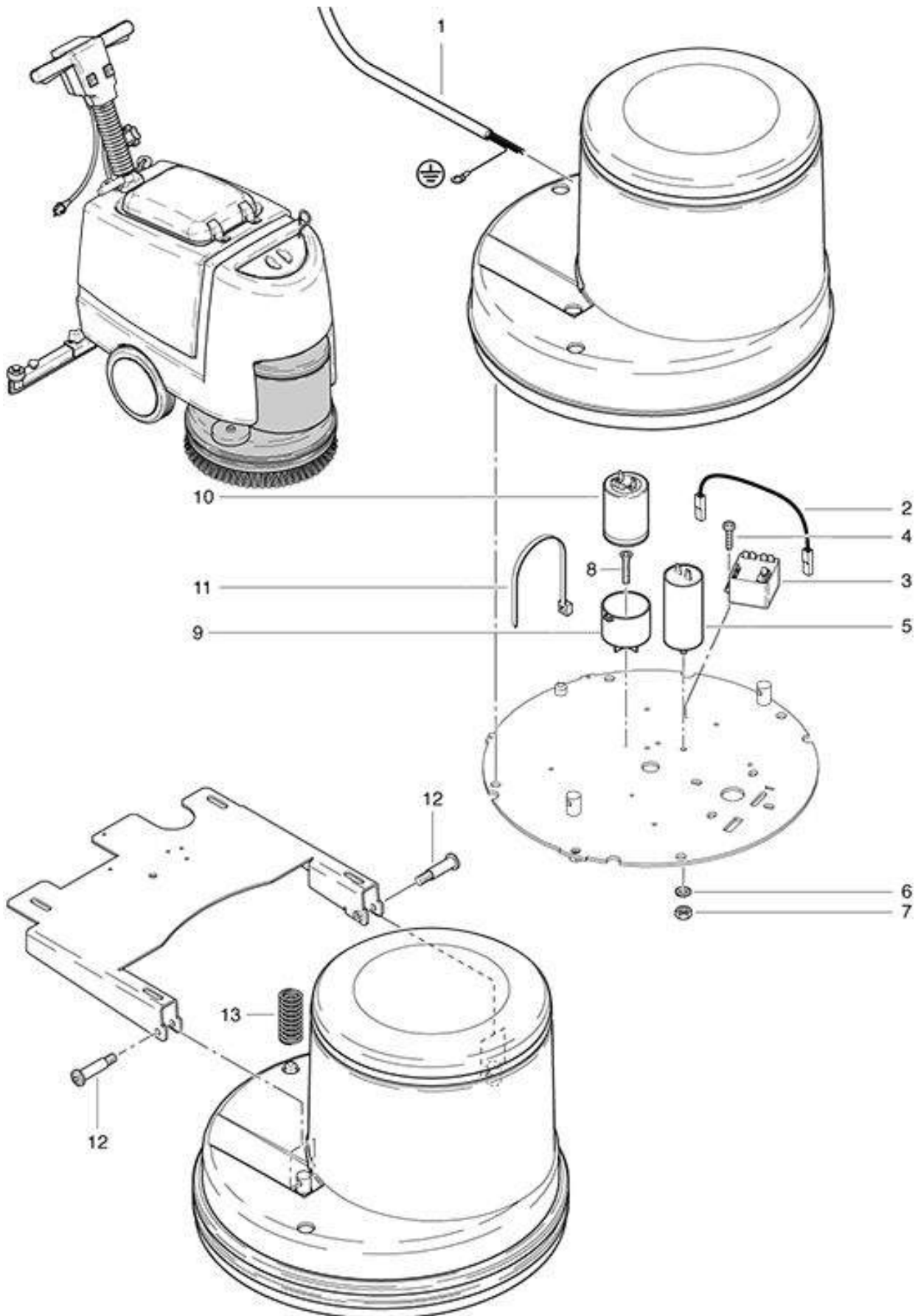


RA 431 E
Capacitor

As at: 02/03/16 Time:02:29



RA 431 E

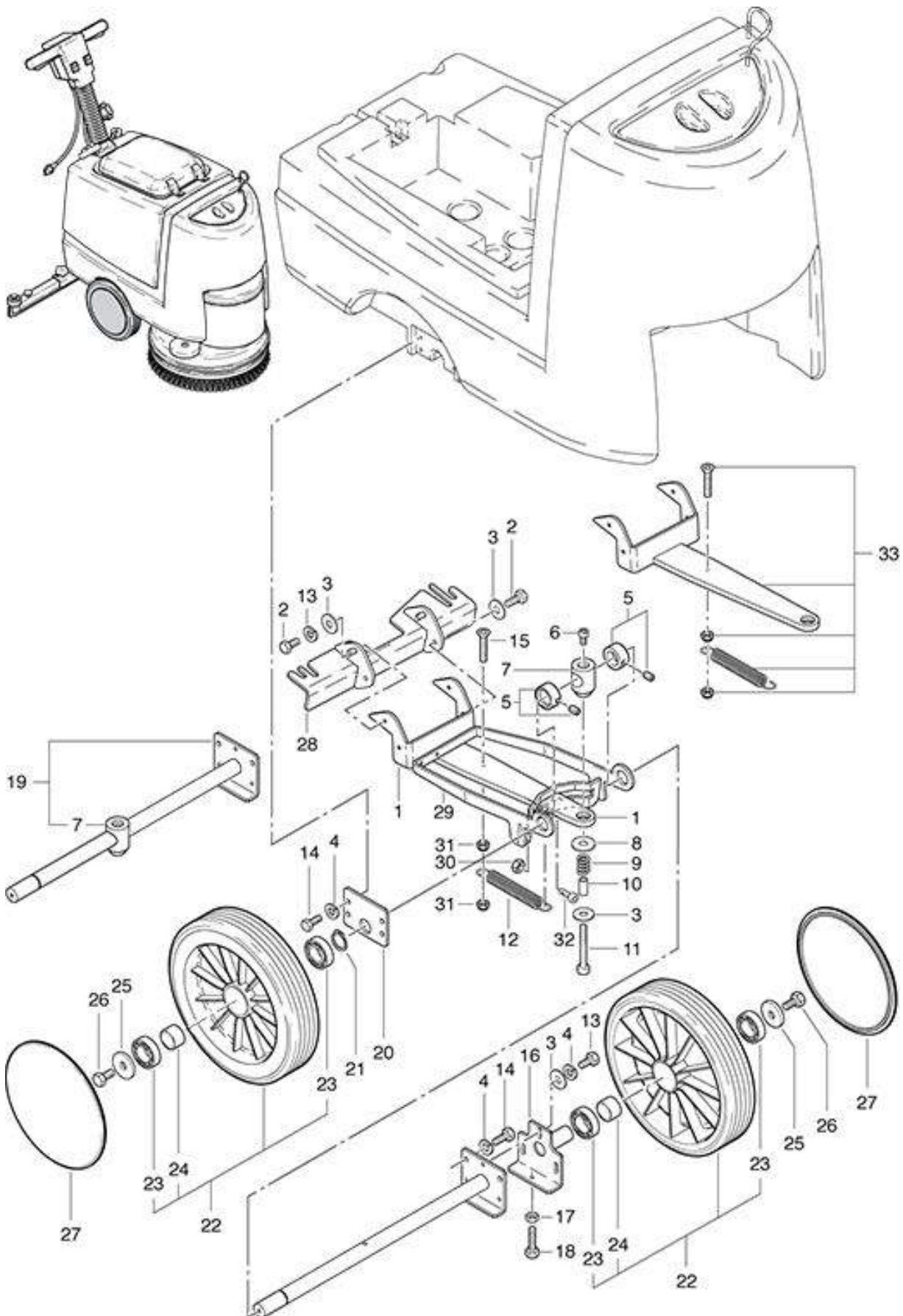
Capacitor

As at: 02/03/16 Time:02:29

Pos.	Description	Reference
01	Motor cable	430.317
02	Cable	790.556
03	Relais	P...350
04	PT screw KA 30x10	P...516 A
05	Capacitor 25 uF, 450 VAC	720.122 A
06	Security washer M 8	6610419
07	Nut M 8	P...491 F
08	Countersunk screw M 4x25	P...480 V
09	Capacitor holder	741.316
10	Capacitor 125 uF, 320 V	742.328
11	Cable clamp	4611085
12	Pass shoulder screw M 6	432.521
13	Compression spring 68x18x2	432.520

RA 431 E
Chassis and Wheel

As at: 02/03/16 Time:02:30



RA 431 E

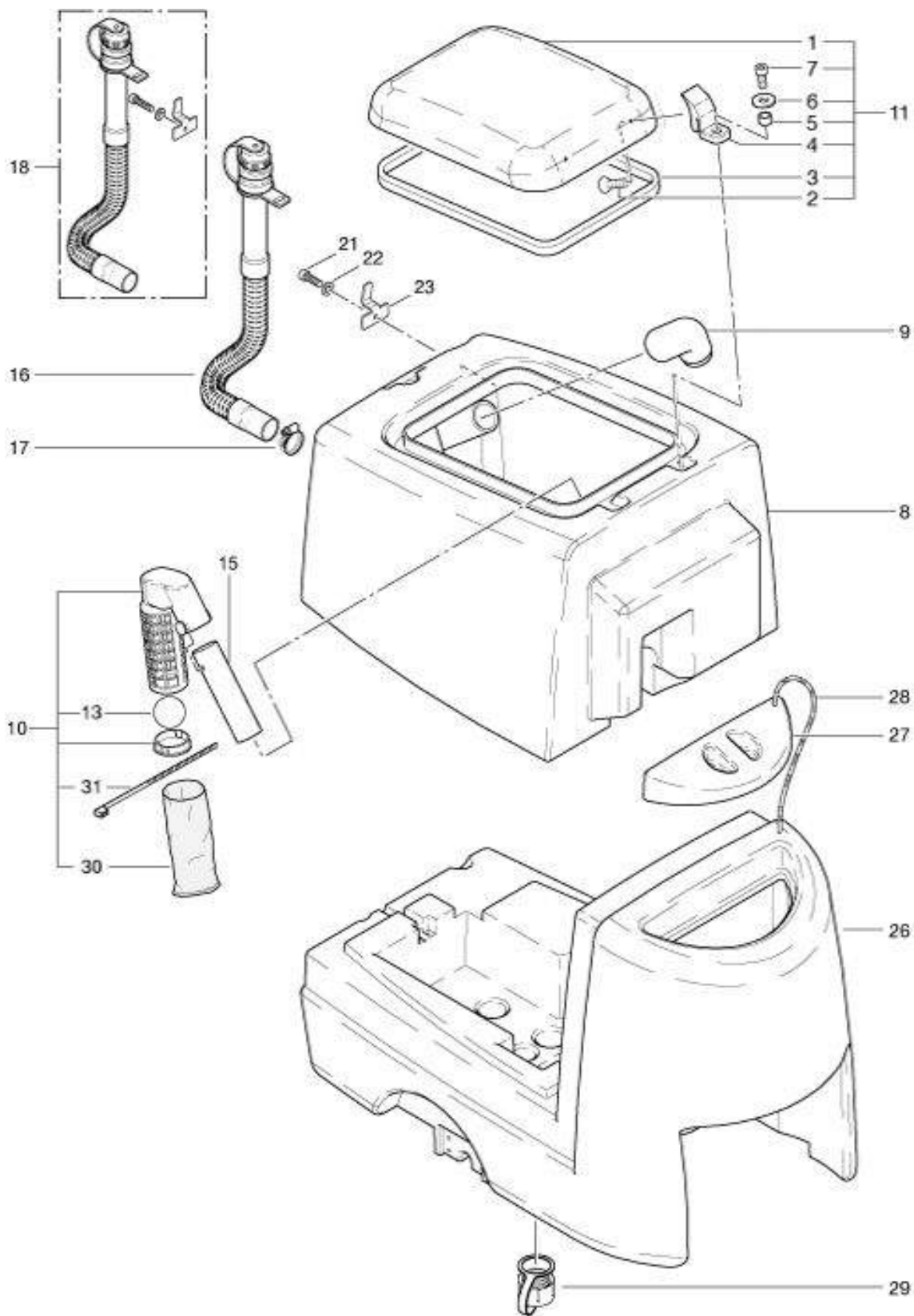
Chassis and Wheel

As at: 02/03/16 Time:02:30

Pos.	Description	Reference
01	Lever	432.082
02	Hexagon screw M 6x12	P...470 R
03	Washer DIN 127B M6 6,1/11,8/1,6	P498U
04	Washer M 6	P...498 U
05	Tension ring with thred pin Ø 10/20/10	P...335
06	Screw M 6x10	P...486 YC
07	Ball stud	432.063
08	Washer M 10.5x30x2.5	P...496 S
09	Compression spring Ø 12,5x22	432.083
10	Distance washer	432.081
11	Cylindrical screw M 6x40	P...486 Y
12	Spring	432.084 A
13	Hexagon screw M 6x10	P...471 Z
14	Hexagon screw M 6x16	P...470 T
15	Countersunk screw M 6x25	P...480 W
16	Clamping plate adjustably	432.061
17	Hexagon nut M 6	P...490 D
18	Hexagon screw M 6x20	P...470 X
19	Axle compl. Incl. pos. 7	432.060
20	Clamping plate	432.062
21	Security ring A 20	P...513 EA
22	Wheel Ø 200x53 mm, including Items 23+24	530.240
23	Ball bearing	P...316 R
24	Distance piece	530.246
25	Mounting plate 30x3 / pin	P...499
26	Hexagon screw M 6x12	P...470 R
27	Wheel cover	530.242
28	Nozzle support angle	432.380
29	Nozzle holder	432.080
30	Hexagon nut M 8	P...490 D
31	Locknut M 6	P...493 K
32	Hexagon screw M 8x16	432.079
33	Lever compl. up to Masch. No. 8820.001	432.075

RA 431 E
Clean water tank and Waste water tank

As at: 02/03/16 Time:02:30



RA 431 E

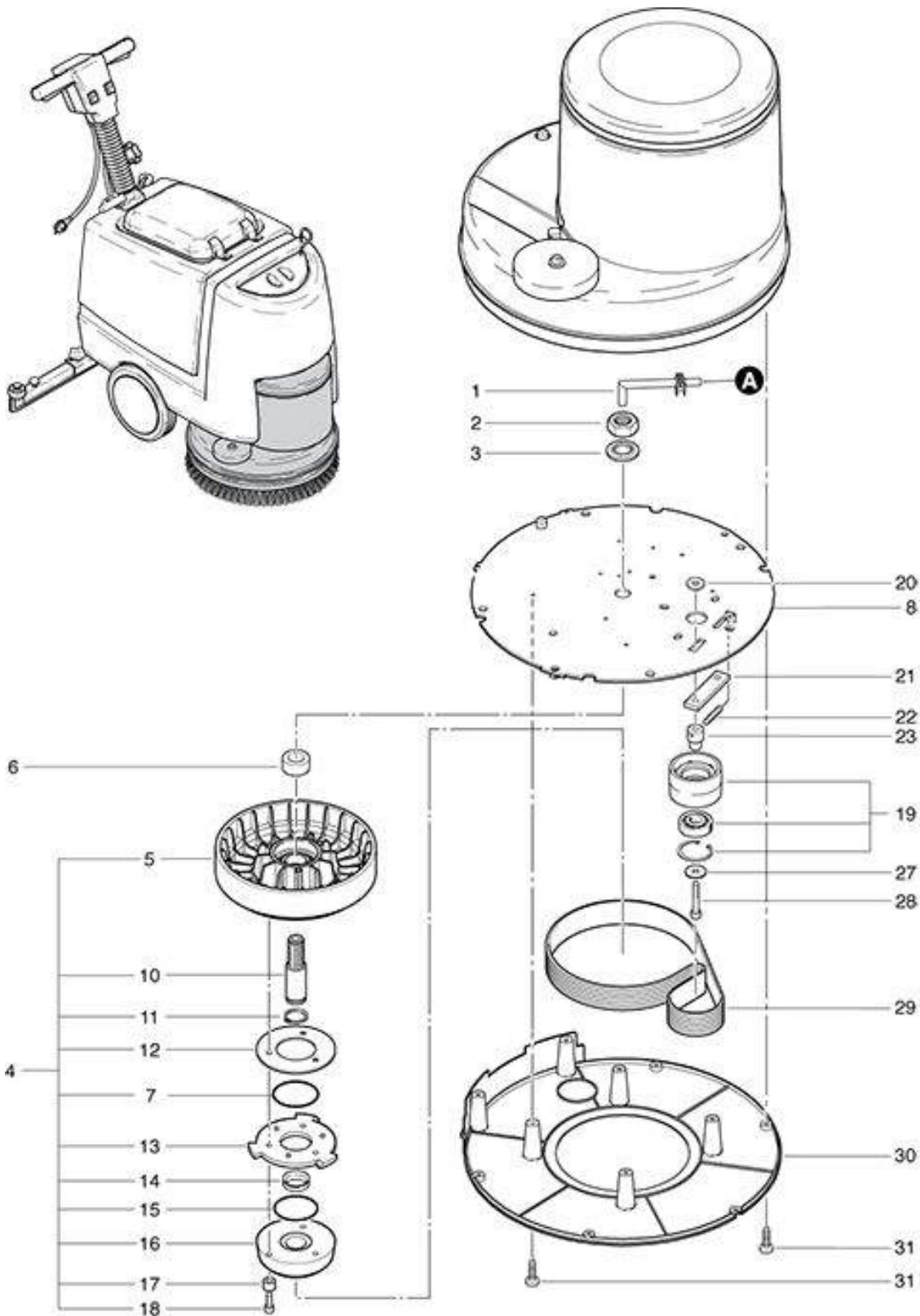
Clean water tank and Waste water tank

As at: 02/03/16 Time:02:30

Pos.	Description	Reference
01	Cover compl.	710.120
02	Countersunk screw M 4x8	p...480 O
03	Seal for cover	710.121
04	Frame-joint cover	710.122
05	Distance piece	430.618
06	Washer M 6	P...497 K
07	Cylindrical screw M 5x12	P...488 B
08	Waste water tank	432.200
09	Angled piece	560.674
10	Float basket kompl.	432.300
11		470.468
13	Ball Ø 45 mm	432.304
15	Suction tube to blower	432.205
16	Discharge hose complete 630 mm	P...561
17	Hose clamp	P...206 D
18	Discharge hose Set up to Masch. Nr. 9040.001	432.111
21	Screw DIN 912 M 5x12	P...488 B
22	Washer DIN 6798 M 5 5,1/9/0,5 A2	P...498 D
23	Hose support	P...109 G
26	Clean water tank	432.100
27	Freshwater tank cover	432.115
28	Cord Ø 3x260 mm	432.750
29	Cover for execution	432.110
30	Filter bag	432.315
31	Cable tie 2.4 mm x 203 mm	P...609 B

RA 431 E
Drive and waterdistribution

As at: 02/03/16 Time:02:30



RA 431 E

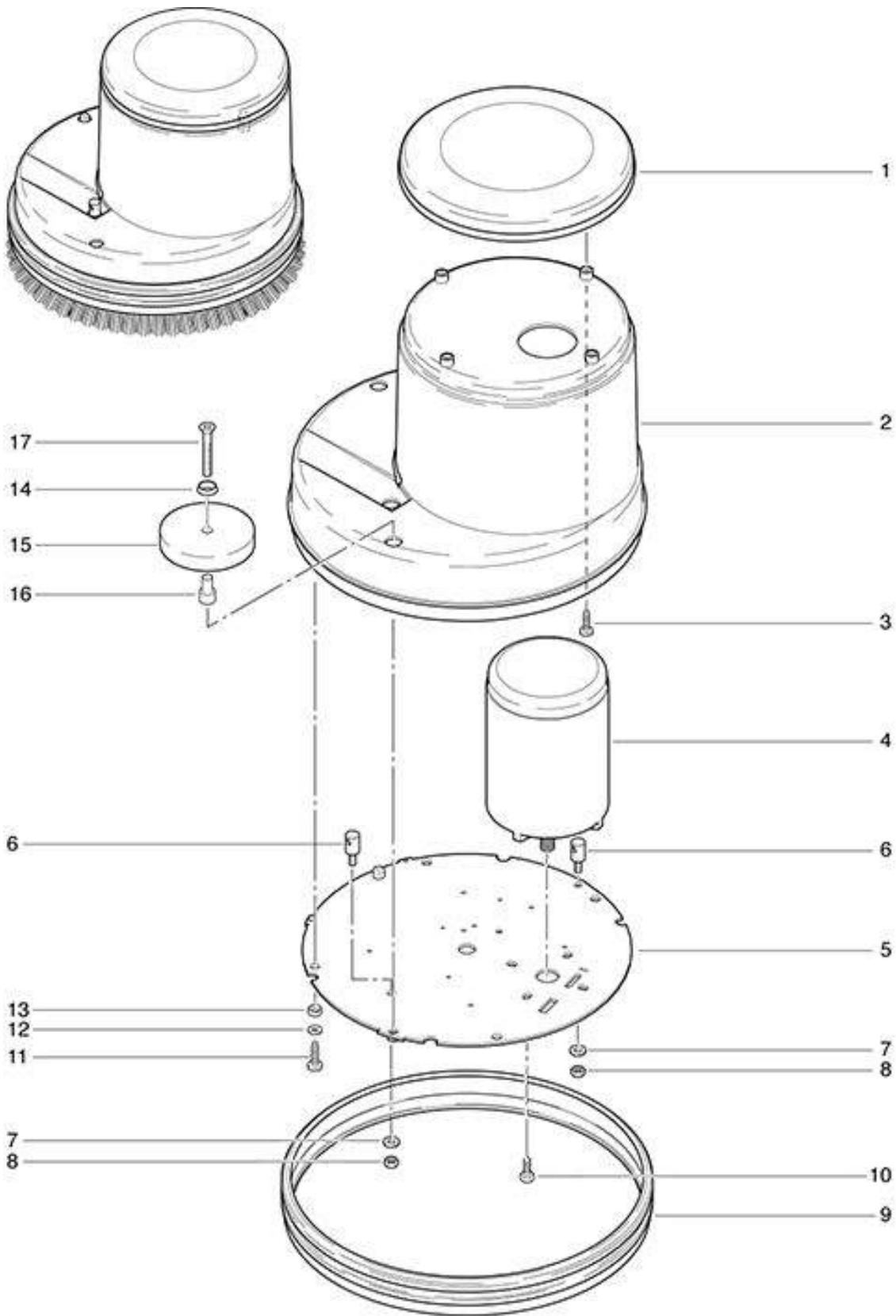
Drive and waterdistribution

As at: 02/03/16 Time:02:30

Pos.	Description	Reference
01	Distribution tube	432.166
02	Hexagon nut M 20x1,5	P...492 R
03	Washer M 20	P...498 Q
04	Belt wheel pre-mounts cpl. including items 5,7,10-18	436.126
05	Drive pulley	726.130
06	Can	432.507
07	O-ring 55,25x2.62	P...964 A
08	Drive plate	432.502
10	Main axle	742.125
11	Security ring Ø 25	P...513 D
12	Distance ring 46x99x1	430.136
13	Star wheel	742.141
14	V-profile ring	P...343 A
15	O-ring 52x2.62	P...964 B
16	Bush support	430.157
17	Distance ring 6/8x4 mm	742.129
18	Cylindrical screw M 6x20	P...487 S
19	Guide pulley	726.301
20	Groove nut	720.125
21	Support	720.128
22	Thread pin I-6kt. M 6x25	P...513 K
23	Federation tap	436.127
27	Washer M 8	P...496 Q
28	Cylindrical screw M 8x45	P...487 T
29	Rib tape	720.115
30	Soil	432.146
31	PT-screw KA 50x16	P...516 H

RA 431 E
Engine

As at: 02/03/16 Time:02:30



RA 431 E

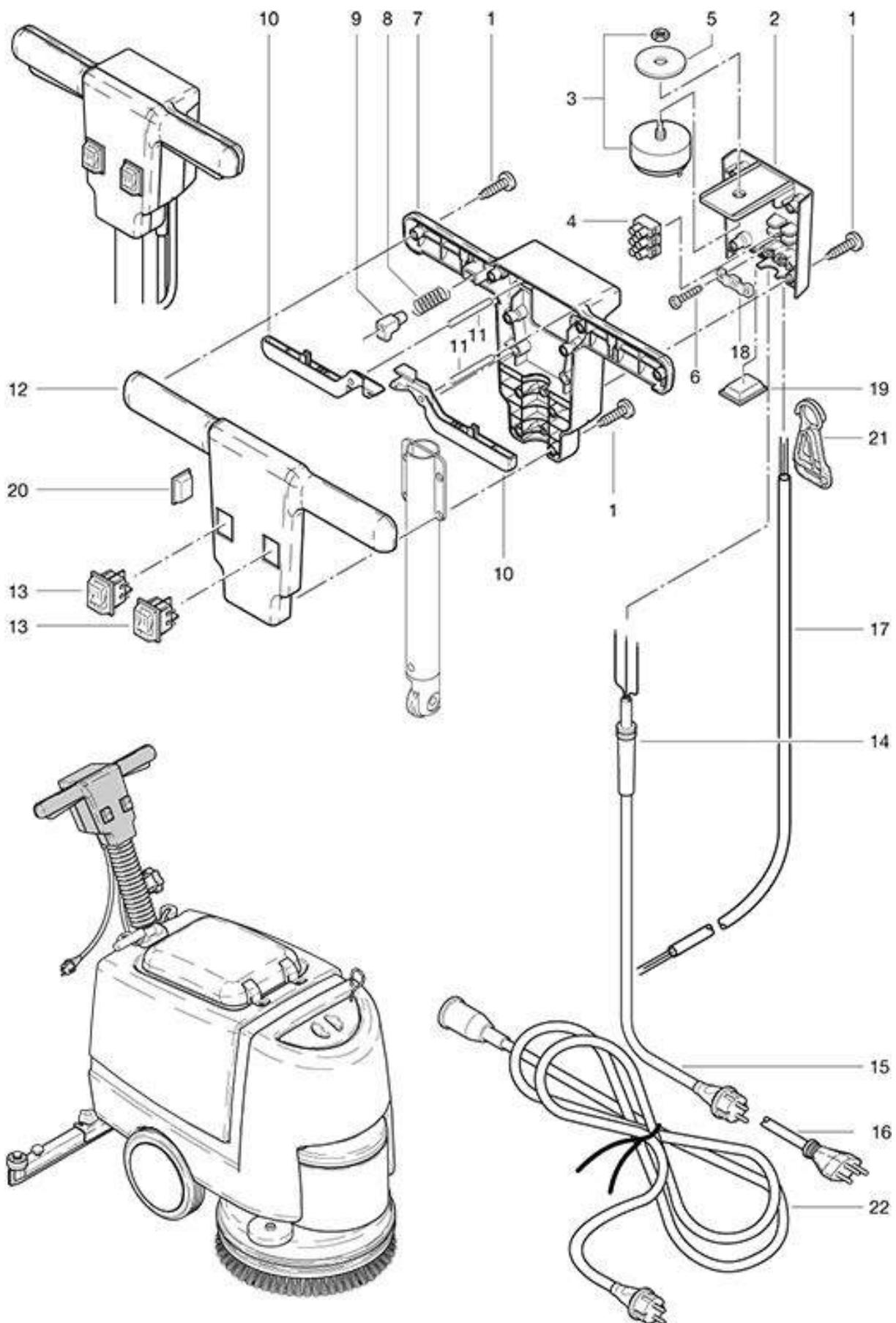
Engine

As at: 02/03/16 Time:02:30

Pos.	Description	Reference
01	Cover	748.067 O
02	Cover	432.513
03	PT screw KA 50x25	P...515 L
04	Motor 230 V / 50 Hz	726.121
05	Bottom plate	432.502
06	Hold bolt	432.505
07	Washer M 8x16	P...496 P
08	Stopp-nut M 8	P...492 H
09	Shock protection	720.054
10	Screw DIN 933 M 8x14	P...471 S
11	PT-screw KA 50x10	P...515 LA
12	Washer M 5	P...496 G
13	Distance ring	432.515
14	Disk for countersunk screw	P...500 T
15	Fender wheel Ø 90 mm	510.127
16	Distance ring	432.508
17	Countersunk screw M 8x45	P...479 P

RA 431 E Handle

As at: 02/03/16 Time:02:30



RA 431 E

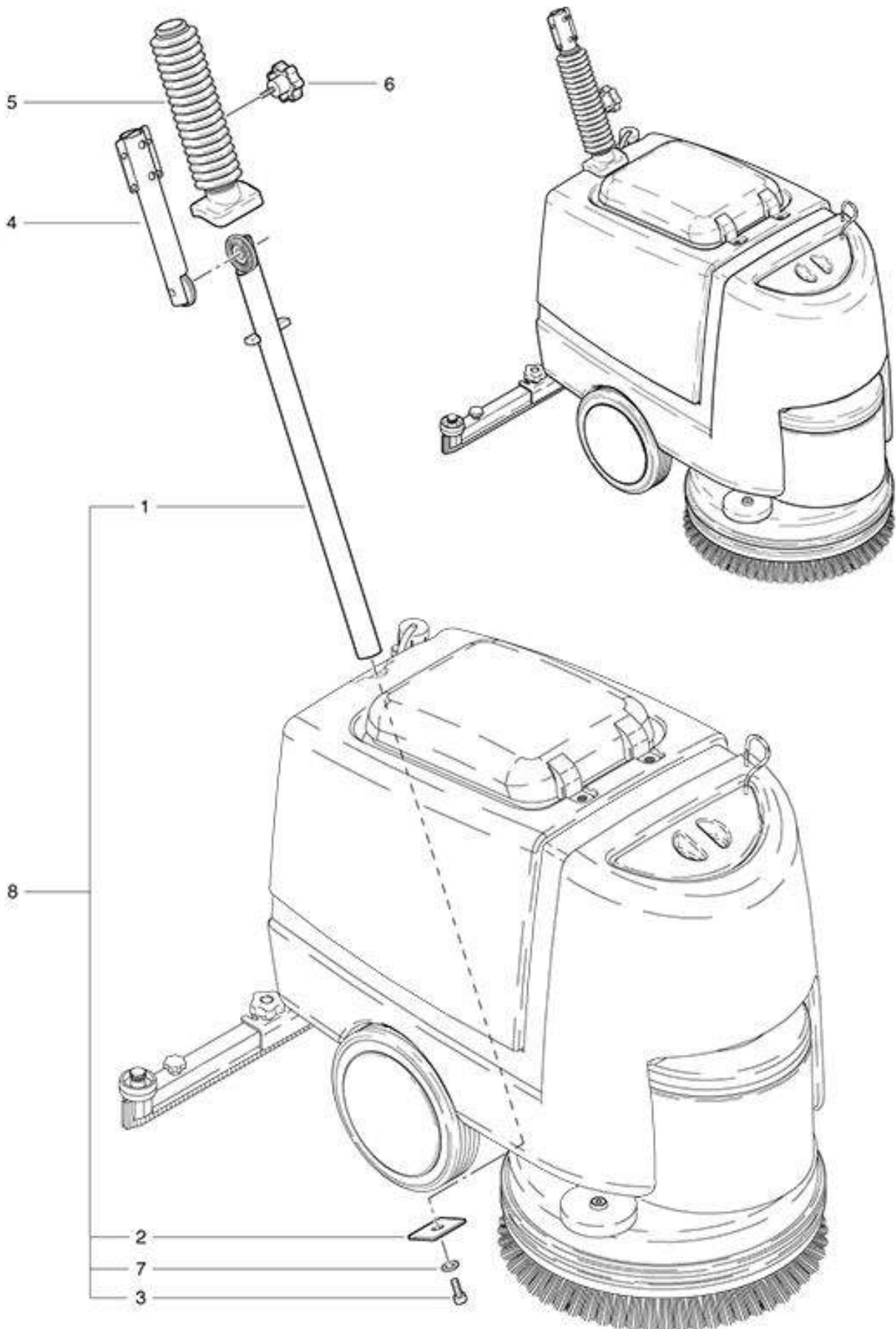
Handle

As at: 02/03/16 Time:02:30

Pos.	Description	Reference
01	PT screw KA 50x25	P...515 L
02	Rear handle cover	741.310
03	Switch (2)	6650454
04	Electrical terminal (3)	P...383 N
05	Washer M 12/13/37/3	P...496
06	Screw M 5x20	P...515 K
07	Rear handle housing	430.324
08	Pressure spring	742.209
09	Button	742.208
10	Switch handle	741.204
11	Cylindrical pin Ø 6x50	P...512 M
12	Front handle housing	430.321
13	Valve-switch	P...240
14	Rubber clamp	P...408 K
15	Connection cable 680 mm VDE	P...400 B
16	Connection cable 680 mm SEV	P...400 D
17	Cable tree for pushbar	432.319
18	Cable clamp	4611085
19	Cover black	741.216
20	Cover	P...171 O
21	Cable assembly discharge	P...375
22	Extension cable VDE 20 m	500.863

RA 431 E
Lower angled tube

As at: 02/03/16 Time:02:30



RA 431 E

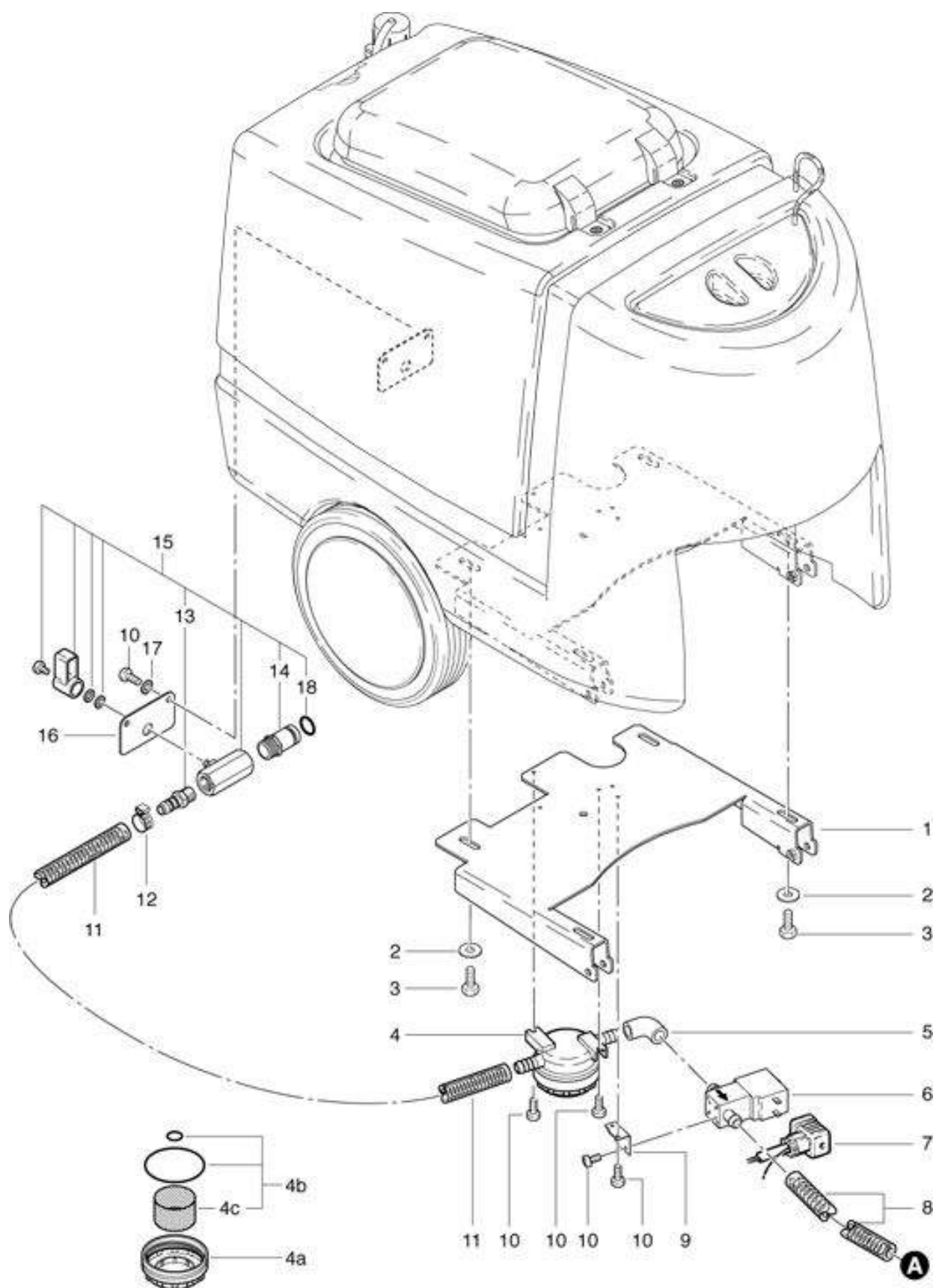
Lower angled tube

As at: 02/03/16 Time:02:30

Pos.	Description	Reference
01	Lower angled tube	432.255
02	Disk	432.340
03	Cylindrical screw M 10x35	P...487 HA
04	Upper handle tube swivelling	432.410
05	Protection	432.405
06	Star handle Ø 62/M 8	P...253 K
07	Serrated lock washer M 10	P...498 F
08	Up to Masch.Nr. 8812-001 complete order: Pos.1,2,3 and 7	-

RA 431 E
Magnetic valve and Filter assembling

As at: 02/03/16 Time:02:30



RA 431 E

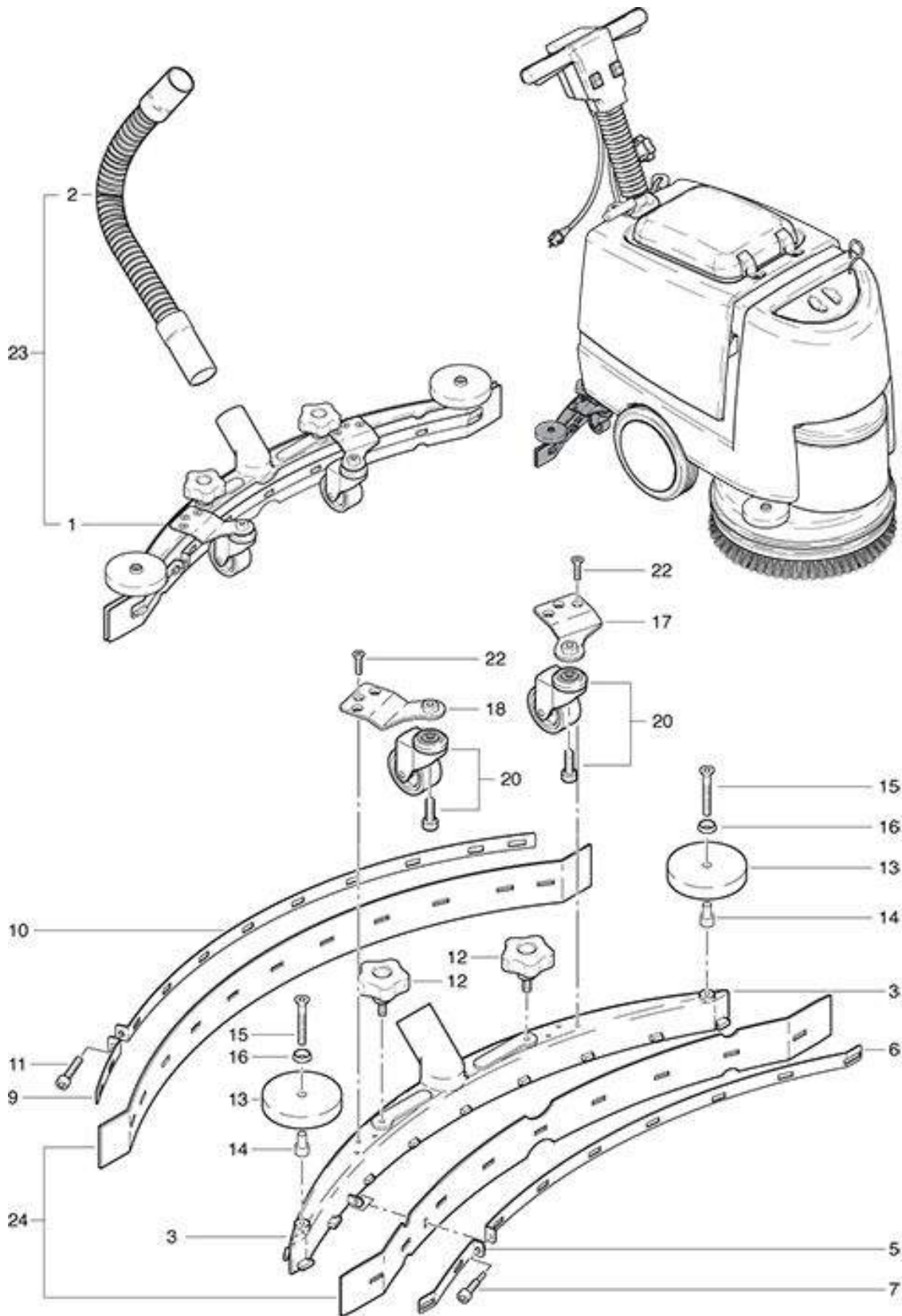
Magnetic valve and Filter assembling

As at: 02/03/16 Time:02:30

Pos.	Description	Reference
01	Girder sheet metal	432.052
02	Washer M 6	P...496 L
03	Cylindrical screw M 6x12	P...486 Q
04	Filter compl.	430.759
04a	Filter cover	430.258
04b	Filter kit	430.759 A
04c	Filter	430.759 B
05	Elbow	432.091
06	Magnetic valve 230 V	P...257
07	Cable for magnetic valve	432.710
08	Hose 620 mm	430.231
09	Angled support	432.096
10	Filister-head screw M 5x10	P...481 Z
11	Hose 0,46 m	432.151 A
12	Hose clip Ø 19.8 mm	P...550 N
13	Straight nipple	P...519 B
14	Nipple	432.087
15	Valve complete	432.085
16	Disk to ball valve	432.092
17	Spring ring M 5	P...498 D
18	O-ring 15.88x2x62 mm	P...960 O

RA 431 E
Suction nozzle curved

As at: 02/03/16 Time:02:31



RA 431 E

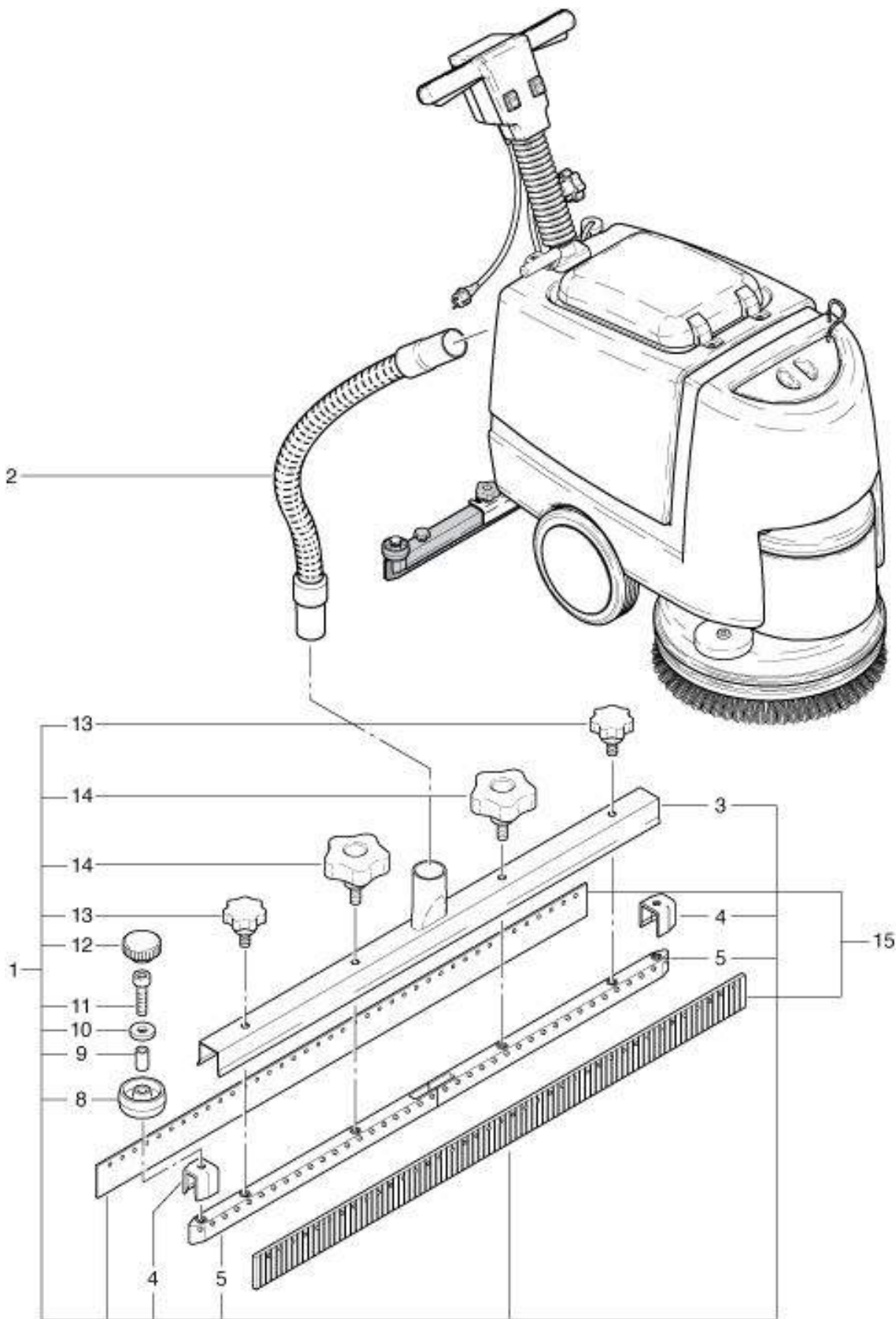
Suction nozzle curved

As at: 02/03/16 Time:02:31

Pos.	Description	Reference
01	Suction nozzle curved compl. including items 3-22	432.550
02	Suction hose compl.	470.832
03	Suction nozzle body	432.555
05	Support plate small, in front	432.561
06	Support plate in front	432.563
07	Adjusting screw	800.425
09	Support plate small in the back	432.564
10	Support plate in the back	432.562
11	Cylindrical screw M 6x25	P...488 Q
12	Star handle Ø 62 M 8x18 mm	P...253 M
13	Fender wheel Ø 90 mm	510.127
14	Distance ring	432.508
15	Countersunk screw M 8x45	P...479 P
16	Disk for countersunk screw	P...500 T
17	Role owner left	432.553
18	Role owner on the right	432.554
20	Castor compl.	P...209 B
22	Countersunk screw M 6x16	P...487 W
23	Suction nozzle curved compl.	432.031
24	Rubber blade, standard	432.557
24	Rubber blade oil resistant	432.551

RA 431 E
Suction nozzle even

As at: 02/03/16 Time:02:31



RA 431 E

Suction nozzle even

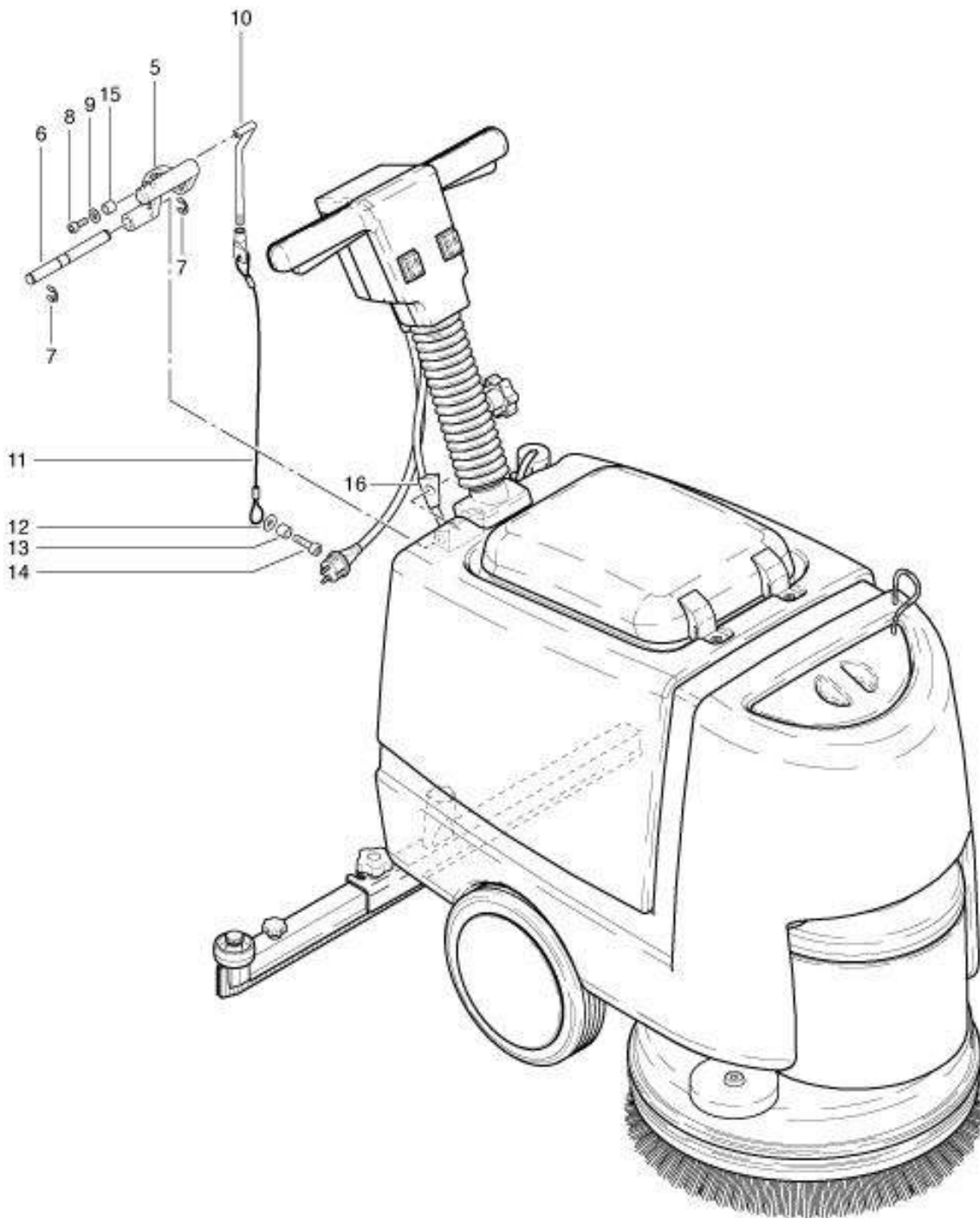
As at: 02/03/16 Time:02:31

Pos.	Description	Reference
01	Suction nozzle even compl. including Items 3-14	430.600
02	Hose complete ID 38,1 mm x 640 mm	470.831
03	Clamping guide	430.602
04	Nozzle end piece	530.606
05	Nozzle insert	430.603
08	Fender wheel Ø 50 mm	450.364 F
09	Distance piece 6/8x27.5 mm	530.609
10	Washer 6/16x1 mm	P...497 M
11	Cylindrical screw M 6x35	P...486 U
12	Screw knob M 6x20	P...494 X
13	Star handle	530.607
14	Star handle Ø 62 M 8x18 mm	P...253 M
15	Suction lips set, oil and fatsteadily	430.080

RA 431 E

Suction nozzle removal

As at: 02/03/16 Time:02:31



RA 431 E

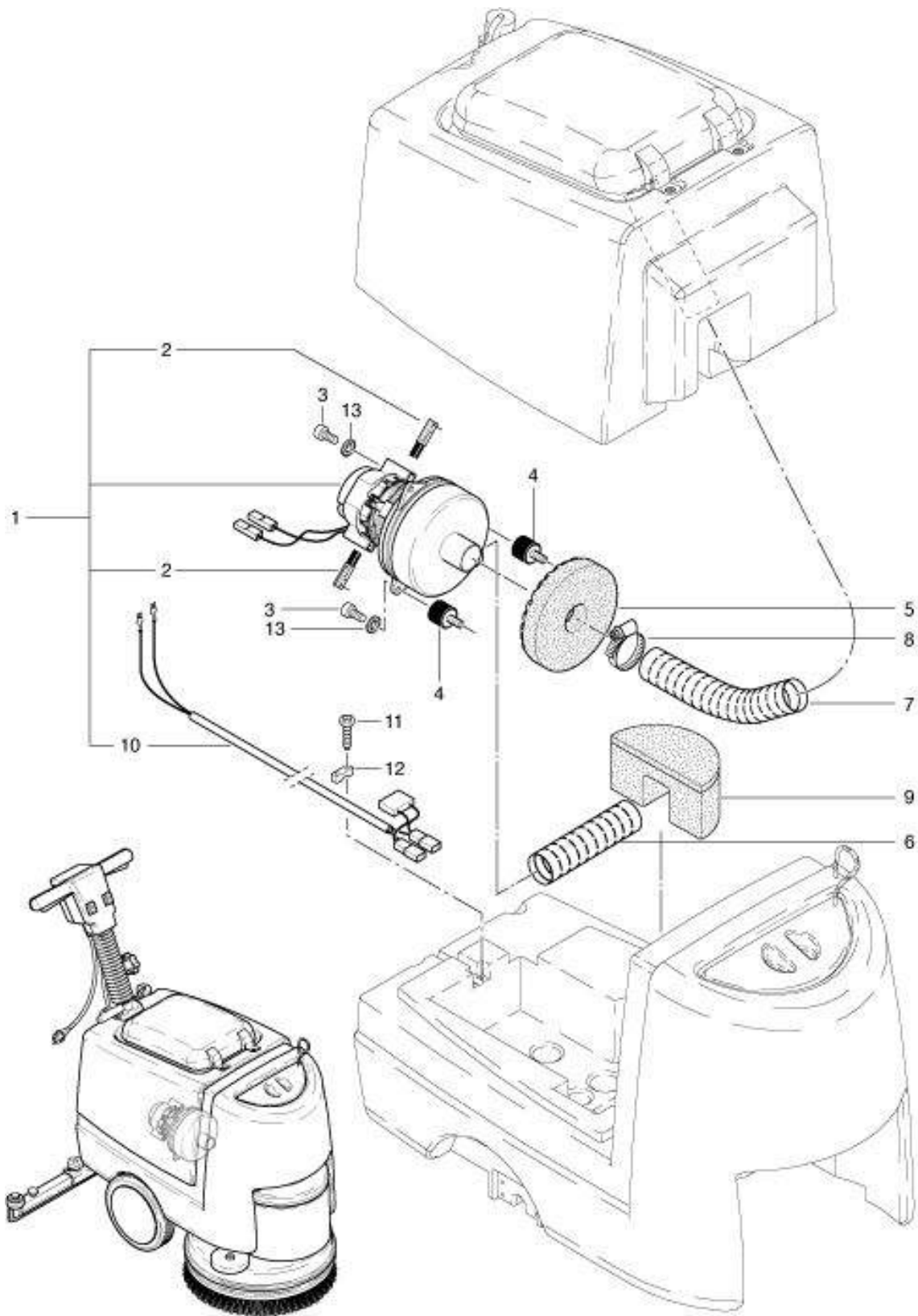
Suction nozzle removal

As at: 02/03/16 Time:02:31

Pos.	Description	Reference
05	Lever to suction nozzle	432.365
06	Axle	432.361
07	Lock washer Ø 8	P...499 Q
08	Filister-head screw M 5x10	P...481 Z
09	Washer M 5	P...496 G
10	Lifting bar	432.370
11	Hauling cable 319 mm	432.817
12	Washer M 5	P...496 K
13	Distance piece	430.618
14	Hexagon screw M 5x12	P...472 F
15	Distance piece	P...509 J
16	Cable entry	432.362

RA 431 E
Vacuum motor assembling

As at: 02/03/16 Time:02:31



RA 431 E

Vacuum motor assembling

As at: 02/03/16 Time:02:31

Pos.	Description	Reference
01	Vacuum motor compl. - from Machine No. 9422.001 including item 10	P...881
01	Vacuum motor compl. - up Machine No. 9341.026 item 10 must be purchased separately	P...881
02	Pair of carbon brushes	P...870 KB
03	Cylindrical screw M 6x12	P...486 Q
04	Round buffer M 6	500.499
05	Noise absorber	432.349
06	Exhaust air hose suction blower compl.	432.351
07	Suction hose size 38x200	432.352
08	Hose clamp	P...206 D
09	Muffler blower compl.	432.353
10	Cable tree for suction motor, including suppression capacitor	432.319 D
11	Filister-head screw M 5x16	P...476 E
12	Cable clamp	4611085
13	Washer M 6	P...499 D