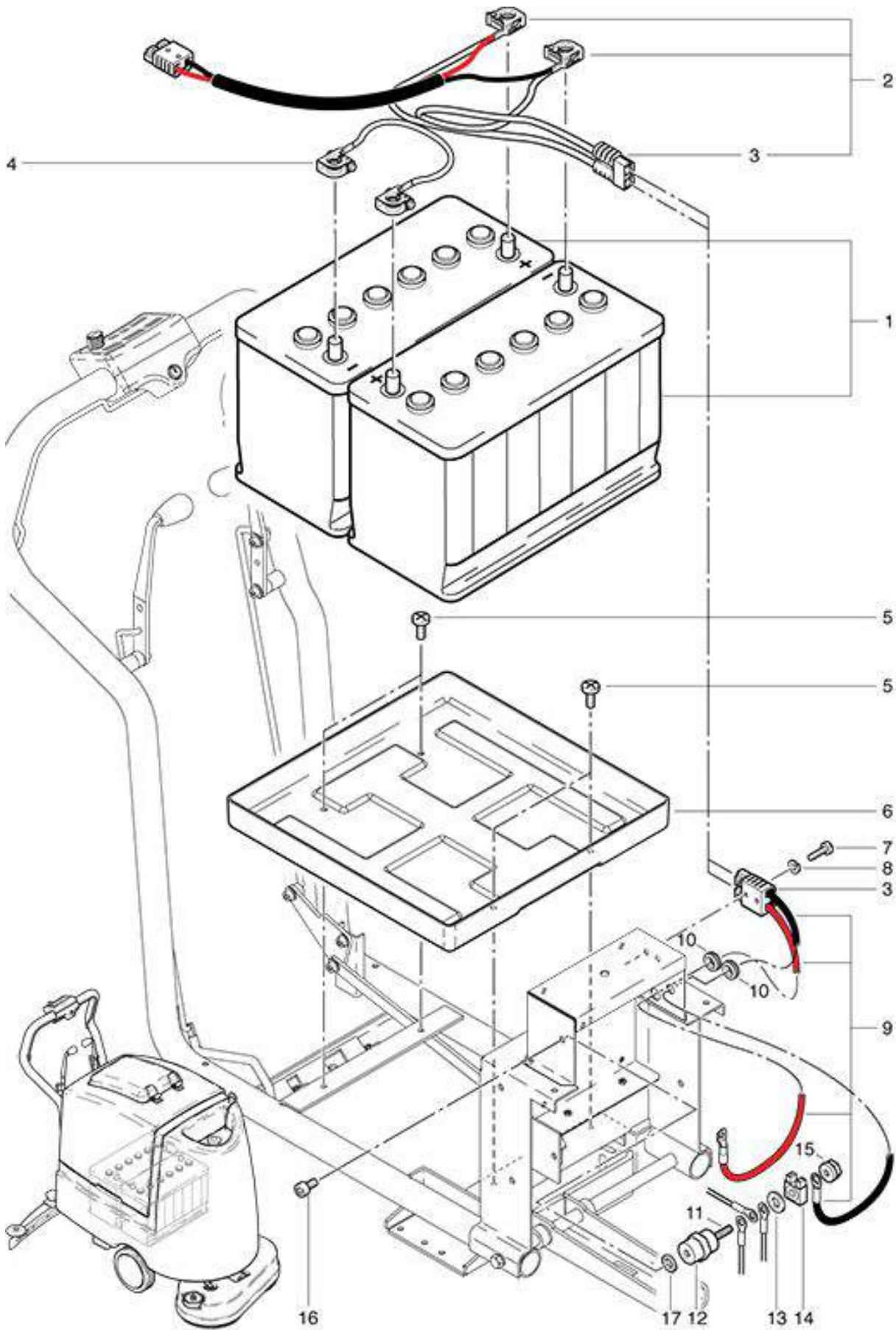


RA 561 B
Battery

As at: 02/03/16 Time:03:36



RA 561 B

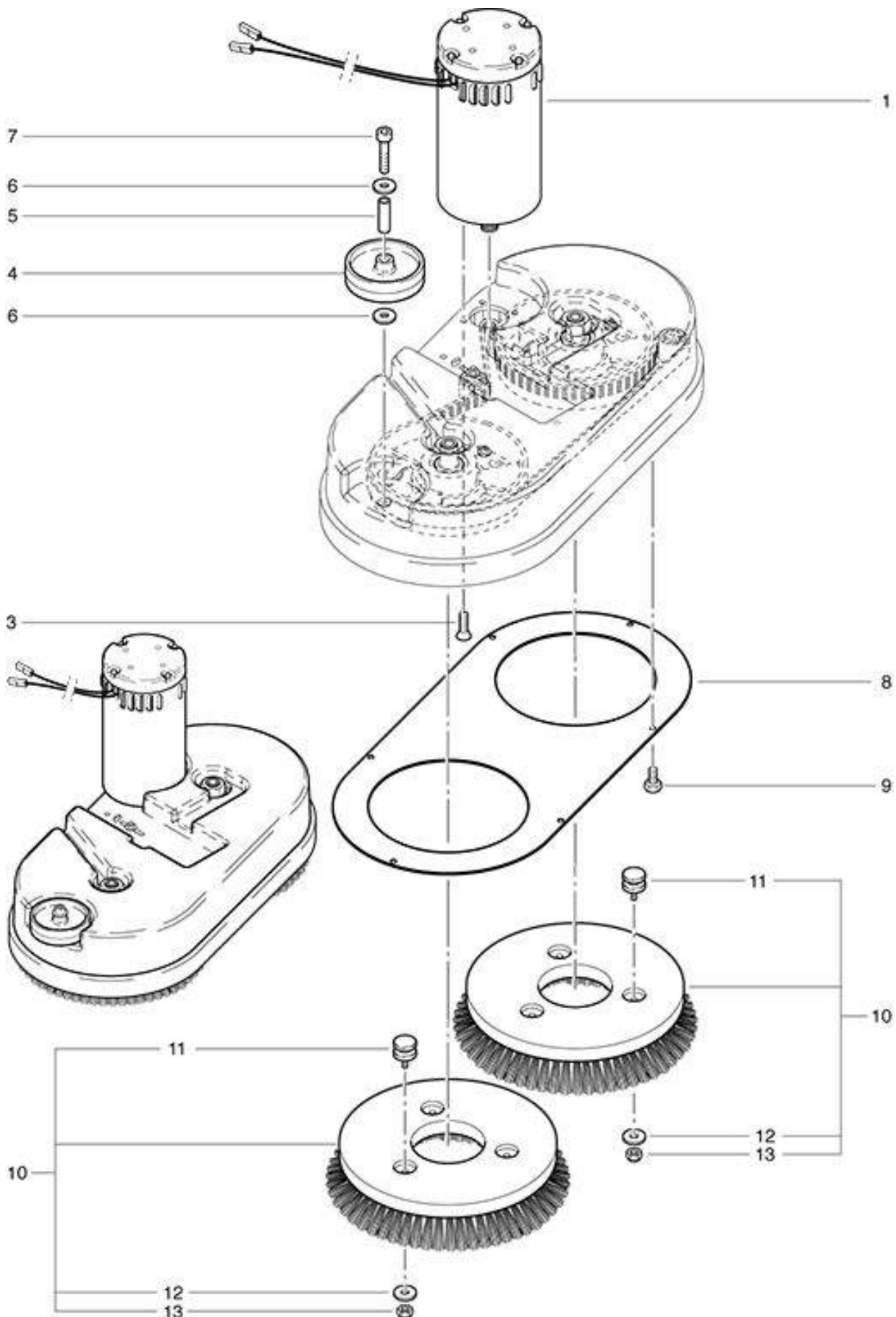
Battery

As at: 02/03/16 Time:03:36

Pos.	Description	Reference
01	Set of Gel batteries 2x12V / 100 Ah (5 hours)	530.091
01	Set of wet batteries 2x12V / 105 Ah (5 hours)	530.090
02	Battery connecting cable incl. Charging plug	560.994
03	Charging plug red	P...357 A
04	Battery connecting cable	560.995
05	Pan head screw M 6x8	P...475 P
06	Battery container	560.585
07	Pan head screw M 4x20	P...475 F
08	Spring ring M 4	P...498 A
09	Wiring harness charging plug	560.763
10	Cable sleeve Ø 7,5x12 mm	P...409
11	Thread pin M 8x40 DIN 913	P...483
12	Support isolation M 8	P...366 A
13	Washer M 8	P...497 P
14	Fuse 75 A	560.710
15	Isolation nut M 8	710.353
16	Hexagon screw M 8x12 DIN 7984	P...488 X
17	Serrating washer M 8	P...499 E

RA 561 B
Brush

As at: 02/03/16 Time:03:36



RA 561 B

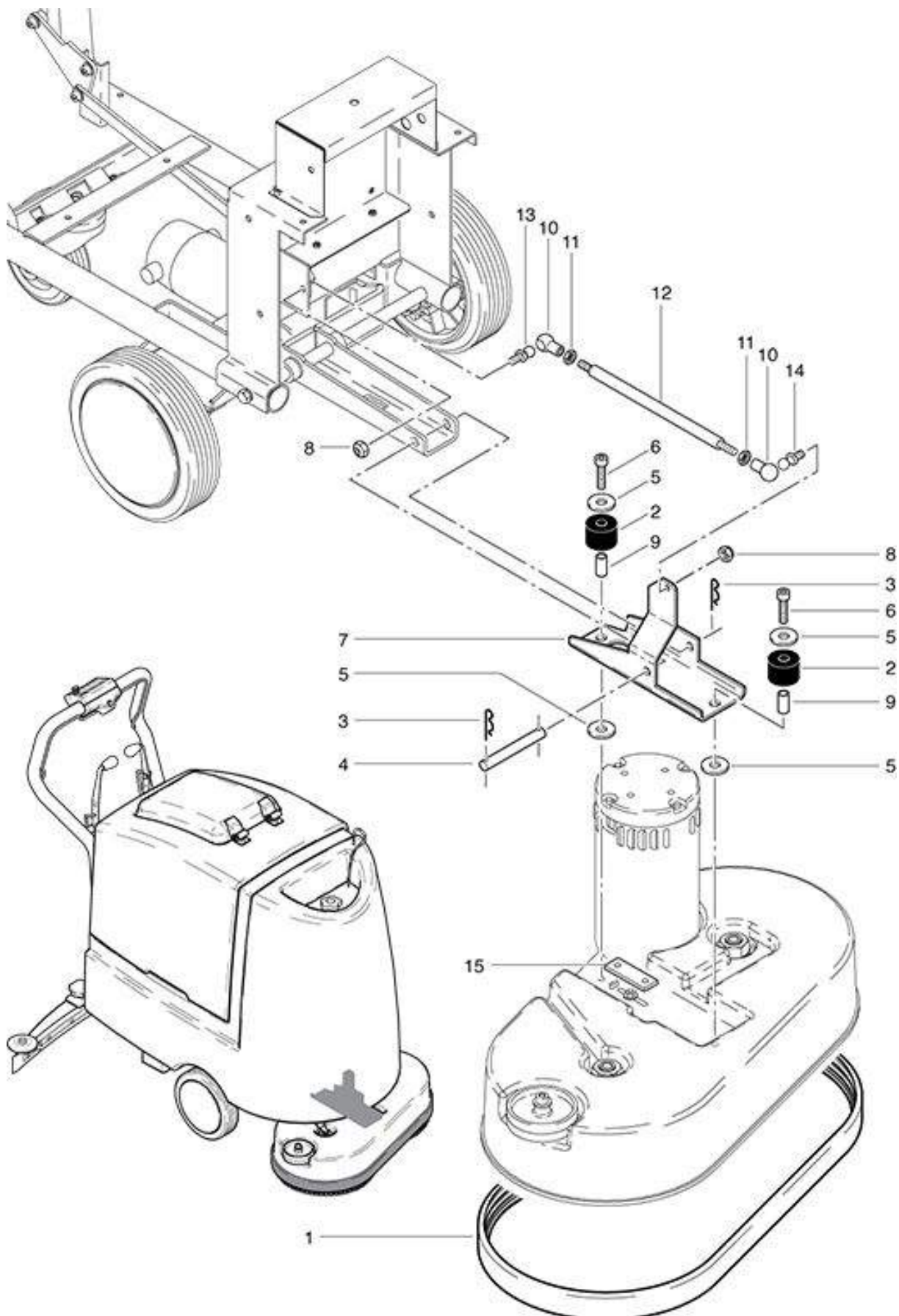
Brush

As at: 02/03/16 Time:03:36

Pos.	Description	Reference
01	Brush motor	560.251
03	Countersunk screw M 6x16	P...487 W
04	Fender wheel	530.136
05	Distance ring	530.138
06	Washer M 6	P...496 M
07	Hexagon screw M 6x45	P...488 U
08	Metal cover	560.280
09	Screw M 5x8	P...481 L
10	Brush complet incl. the pos. 11-14	560.261
11	Bolt for driving plate	710.462
12	Washer M 6	P...510 L
13	Security M 6	P...492 K

RA 561 B
Brush drive

As at: 02/03/16 Time:03:36



RA 561 B

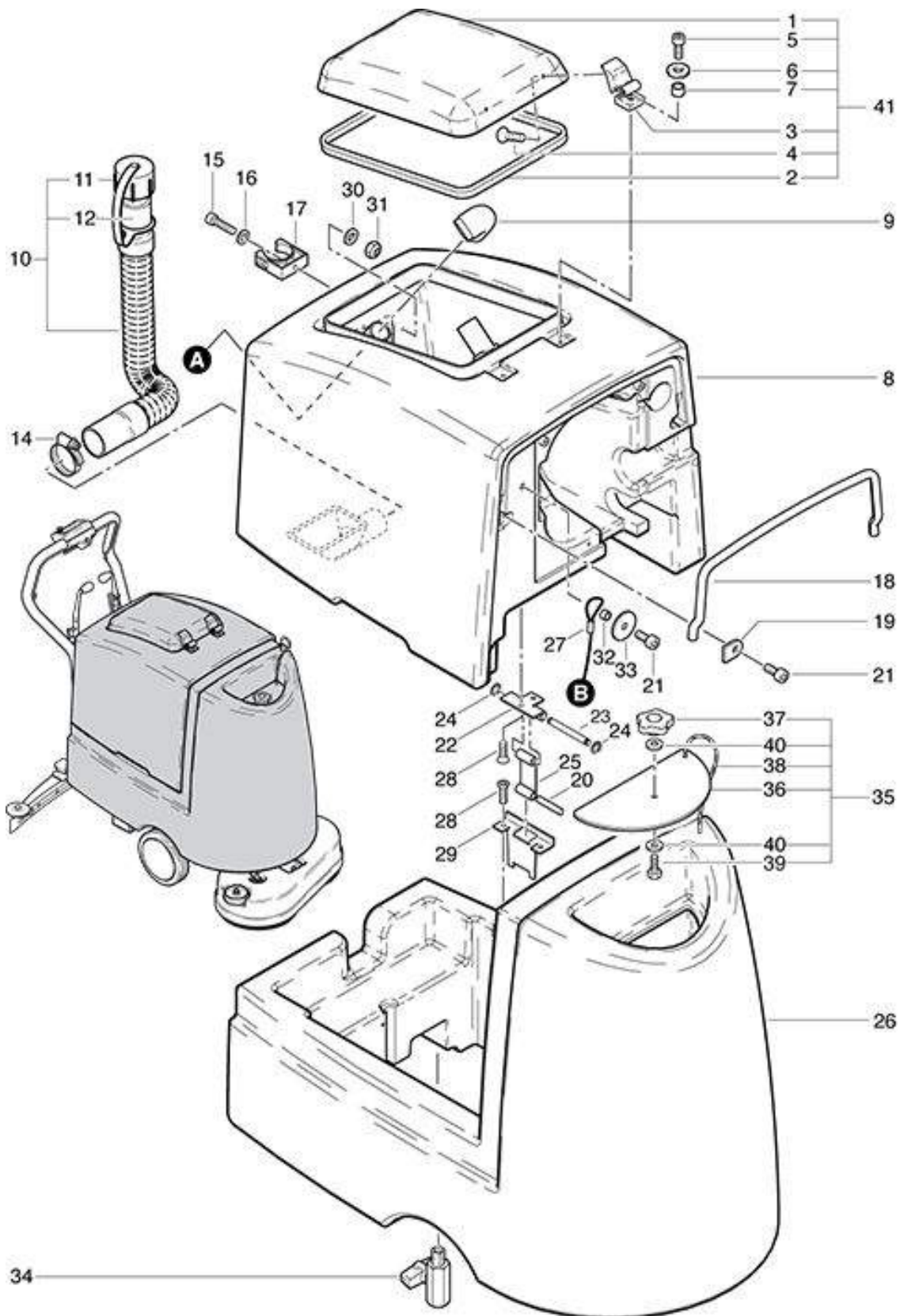
Brush drive

As at: 02/03/16 Time:03:36

Pos.	Description	Reference
01	Shock protection	560.285
02	Bearing	560.265
03	Fuse	P...511 D
04	Bolt 10x86	560.429
05	Washer M 8x20	P...496 I
06	Cylindrical screw M 8x30	P...471 G
07	Support	560.267
08	Security nut M 8	P...492 H
09	Socket	560.266
10	Ball socket	P...512 C
11	Hexagon nut M 8	P...491 U
12	Track bar	560.441
13	Ball pin	P...512 D
14	Ball pin spez.	560.292
15	Support	560.268

RA 561 B
Clean water tank and Waste water tank

As at: 02/03/16 Time:03:36



RA 561 B

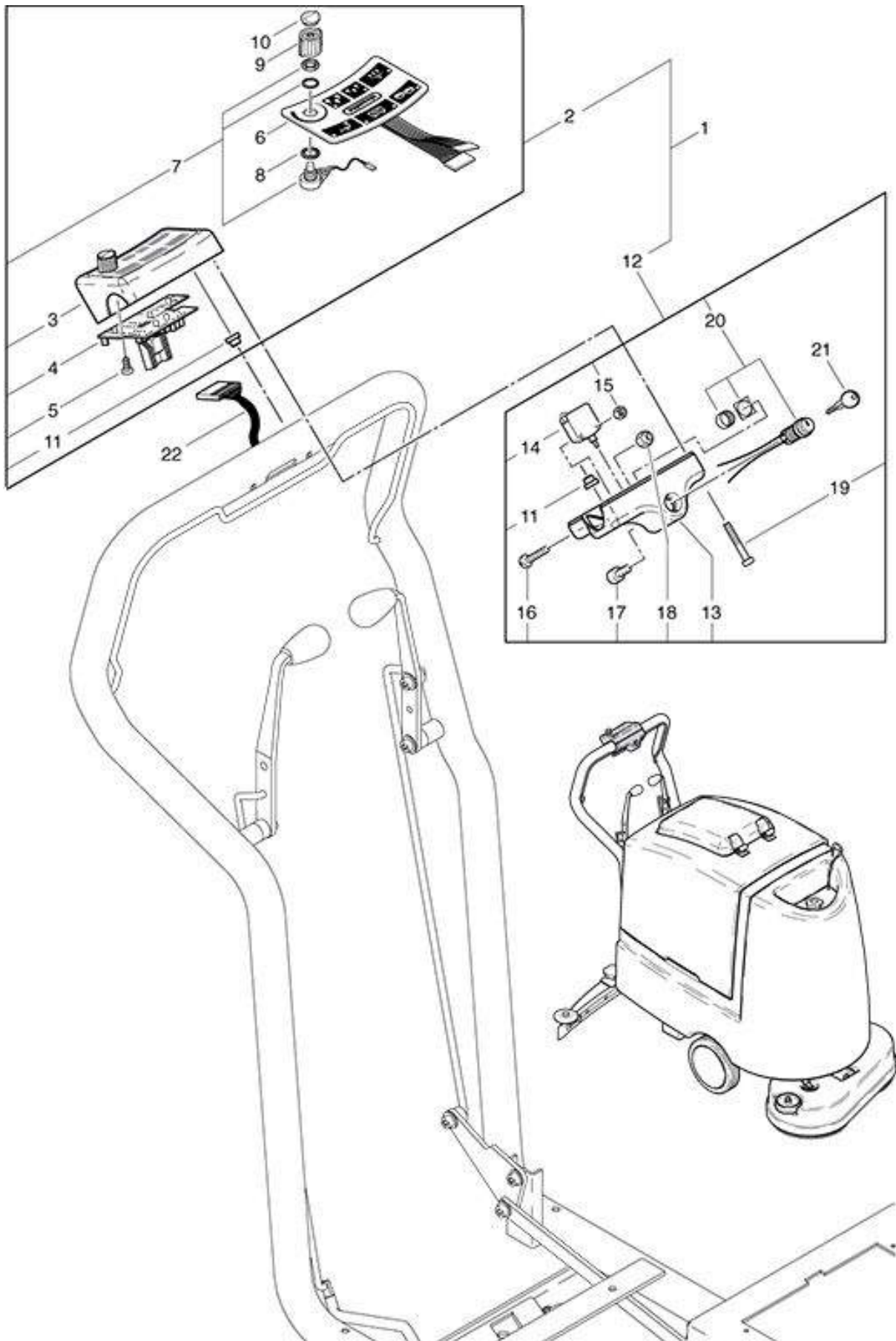
Clean water tank and Waste water tank

As at: 02/03/16 Time:03:36

Pos.	Description	Reference
01	Cover	710.120
02	Seal for cover	710.121
03	Hinge	710.122
04	Countersunk screw M 4x8	P...480 O
05	Cylindrical screw M 5x12	P...488 B
06	Washer M 6	P...497 K
07	Distance piece	430.618
08	Waste water tank	560.655
09	Angled piece	560.674
10	Discharge hose set, including Items 11+12	701.127
11	Cover for hose socket	500.410
12	Hose socket	500.409 A
14	Hose clamp	P...206 D
15	Cylindrical screw M 5x25	P...488 K
16	Washer M 5	P...497 G
17	Hose clamp	P...109 A
18	Discharge hose	560.673
19	Clamp plate	560.677
20	Bolt Ø 8x55 mm	P...513 V
21	Hexagon screw M 6x12	P...488 R
22	Hinge sheet	560.661
23	Bolt	500.811
24	Security washer M 7	P...513 P
25	Hinge	560.618
26	Clean water tank compl.	560.605
27	Cord	560.726
28	Countersunk screw M 6x12	P...487 U
29	Hinge sheet in front	560.612
29	Hinge sheet in behind	560.614
30	Washer M 5	6230217
31	Stopp-nut M 5	P...493 G
32	Bearing sleeve	560.143
33	Washer M 6x25	P...497 Y
34	Valve complete 1/4"	P...508 B
35	Freshwater tankcover cpl. contenant pos. 30-34	560.615
36	Freshwater tank cover	560.613
37	Asterisk grasp	430.346
38	Cord	490.750
39	Hexagon screw M 8x16	P...472 V
40	Washer M 8	P...510 B
41		470.468

RA 561 B
Controls box

As at: 02/03/16 Time:03:36



RA 561 B

Controls box

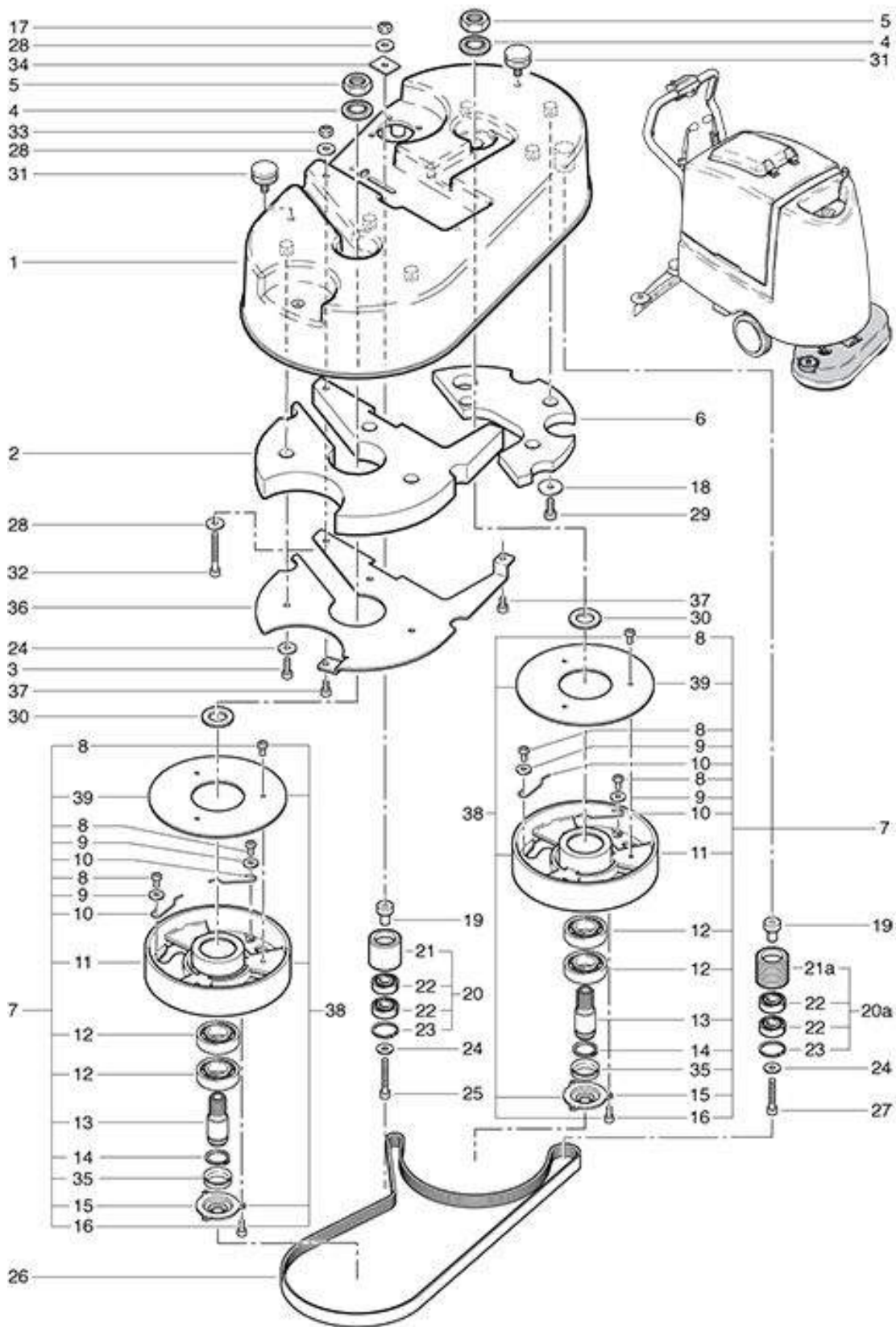
As at: 02/03/16 Time:03:36

Pos.	Description	Reference
01	Control box complete including items 2+12	560.321
02	Control box (top) complete including items Pos. 3-11	560.326
03	Controls box (top)	530.226
04	Operating print	560.366
05	Screw 2,9x9,5	P...483 H
06	Plastic foil keyboard	560.367
07	Potential meter 10 kOhm	560.370
08	Serrated lock washer M 10	P...498 O
09	Turn button	560.372
10	Cover	560.373
11	Twist protection	710.314
12	Control box (lower part) cpl. incl. Items 11+13-20	560.328
13	Control box (lower part)	530.221
14	Safety switch	710.323
15	Nut M 4	P...492 D
16	Pan head screw M 4x20	P...475 F
17	Hexagon socket screw M 5x8	P...488 E
18	Stopp-nut M 5	P...493 G
19	PT-screw KA 30x25	P...516 P
20	Key switch compl.	560.361
21	Replacement key	P...244 B
22	Harness for electronics	560.761

RA 561 B

Drive unit for brush head up to machine no. 8837

As at: 02/03/16 Time:03:36



RA 561 B

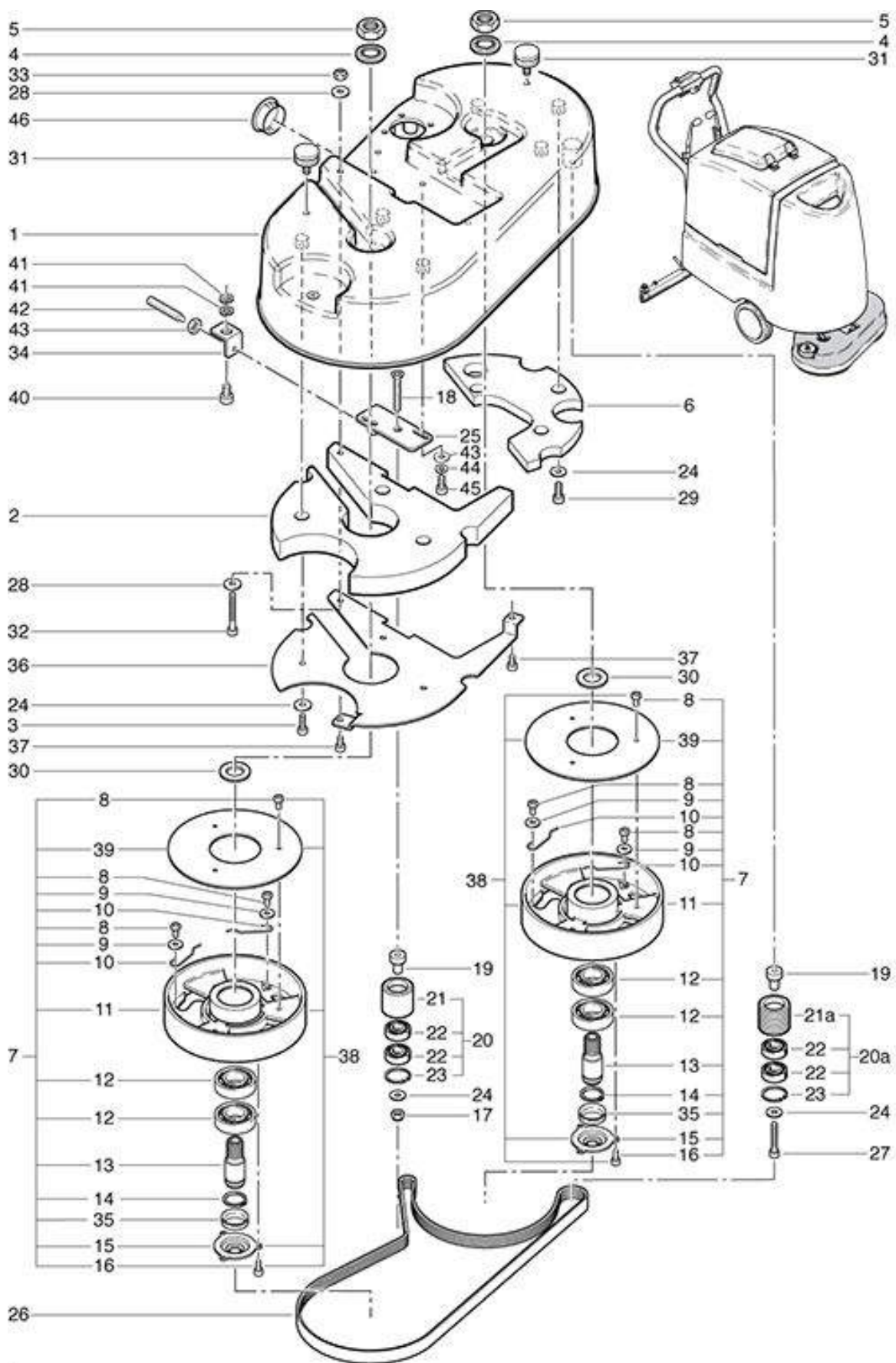
Drive unit for brush head up to machine no. 8837

As at: 02/03/16 Time:03:36

Pos.	Description	Reference
01	Motor housing	560.206
02	Weight	560.275
03	Hexagon screw M 6x20	P...486 P
04	Locking screw M 20	P...498 Q
05	Hexagon nut M 20x1.5	P...492 R
06	Weight beside motor	560.270
07	Wheel compl. including Items 8-16,35+39	561.210
08	Hexagon screw M 5x10	P...484 O
09	Washer M 5	P...496 H
10	Spring	560.216
11	Brush spripe	561.215
12	Ball bearing	P...316 P
13	Main axle	560.212
14	Retaining washer 24x1 DIN 471	P...513 D
15	Hub cover	560.218
16	Hexagon screw M 5x10	P...489 E
17	Hexagon nut M 6	P...493 K
18	Washer M 6x25	P...497 Y
19	Bearing pin	560.256
20	Belt tension pulley compl. including Items 21-23	560.255
20a	Belt tension pulley compl. including Items 21a-23 up to machine no. 8404	560.255
20a.	Belt tension pulley compl. including Items 21a-23 beg. machine no. 8405.001\r\n	560.254A
21	Belt tension pulley	560.257
21a.	Belt tension pulley	560.258
22	Ball bearing	P...315 I
23	Retaining washer DIN 472 26/1,2	P...499 GA
24	Washer M 6	P...497 K
25	Hexagon screw M 6x45	P...488 U
26.	Poly-V drive belt	560.253
27	Hexagon screw M 6x35	P...486 S
28	Washer M 6	P...496 L
29	Hexagon screw M 6x16	P...486 R
30	Washer 20/32/0.7	6230258
31	Rubber buffer	560.286
32	Hexagon screw M 5x40	P...486 N
33	Hexagon nut M 5	P...493 G
34	Disk	560.268
35	V-profile ring VA 25	P...343
36	Weight mounting plate	560.276
37	Hexagon screw M 5x10	P...489 E
38	Brush spripe kit including items 8,11,15,16,39	561.220
39	Dirt rag	561.214

RA 561 B
Drive unit for brush head up to machine no. 8838.001

As at: 02/03/16 Time:03:37



RA 561 B

Drive unit for brush head up to machine no. 8838.001

As at: 02/03/16 Time:03:37

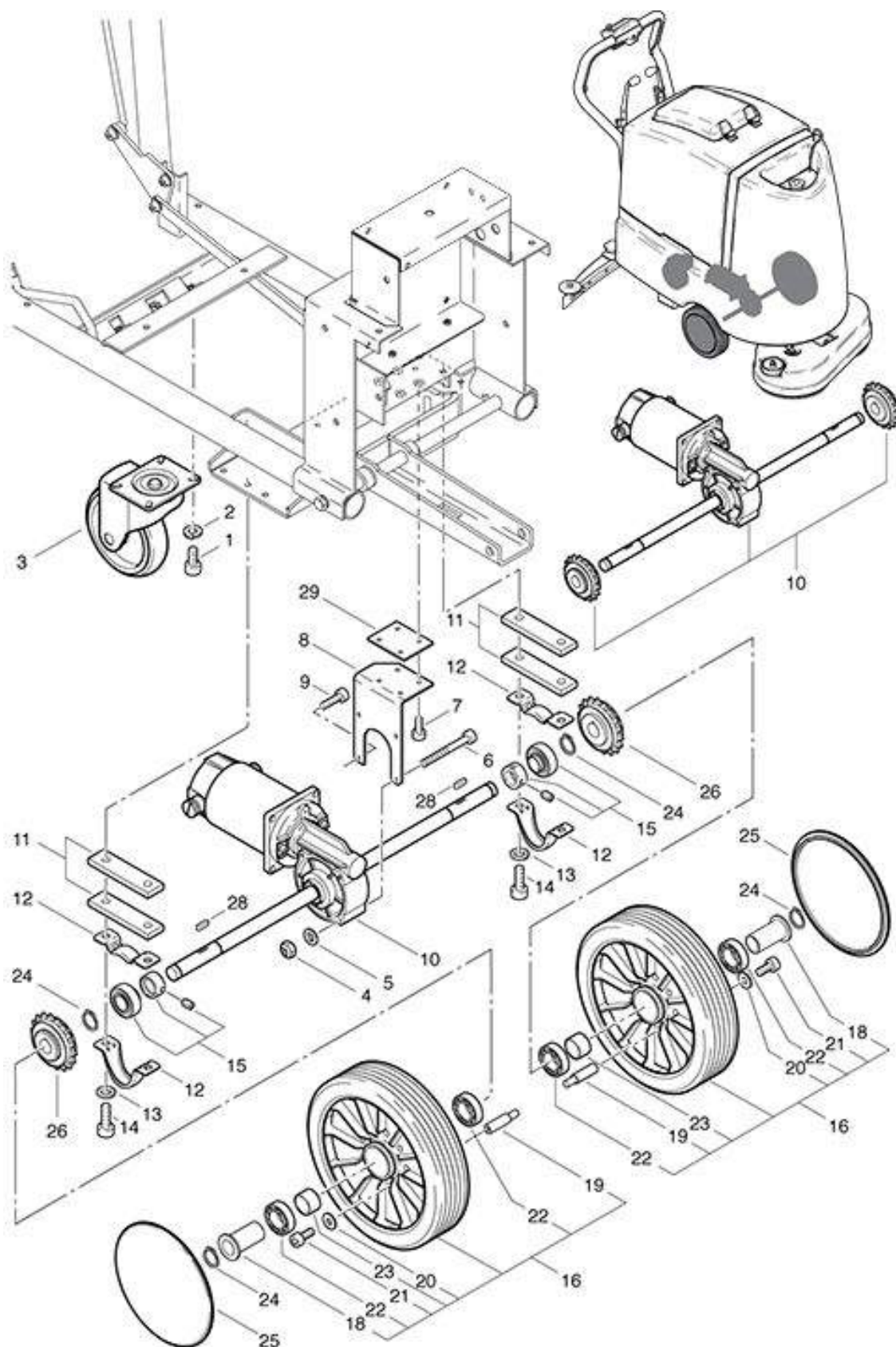
Pos.	Description	Reference
01	Motor housing	560.206
02	Weight	560.275
03	Hexagon screw M 6x20	P...486 P
04	Locking screw M 20	P...498 Q
05	Hexagon nut M 20x1.5	P...492 R
06	Weight beside motor	560.270
07	Brush sripe complete including items 8-16,35+39	561.210
08	Hexagon screw M 5x10	P...484 O
09	Washer M 5	P...496 H
10	Spring	560.216
11	Brush sripe	561.215
12	Ball bearing	P...316 P
13	Main axle	560.212
14	Retaining washer 24x1 DIN 471	P...513 D
15	Hub cover	560.218
16	Hexagon screw M 4x8	P...488 D
17	Stopp-nut M 6	P...492 K
18	Countersunk screw M 6x35	P...479 S
19	Bearing pin	560.256
20	Belt tension pulley compl. including Items 21-23	560.255
20a	Belt tension pulley compl. including Items 21a-23	560.254A
21	Belt tension pulley	560.257
21a	Belt tension pulley	560.258
22	Ball bearing	P...315 I
23	Retaining washer DIN 472 26/1,2	P...499 GA
24	Washer M 6	P...497 K
25	Belt tension adjuster	561.262
26	Poly-V drive belt	561.253
27	Hexagon screw M 6x35	P...486 S
28	Washer M 6	P...496 L
29	Hexagon screw M 6x16	P...486 R
30	Washer 20/32/0.7	6230258
31	Rubber buffer	560.286
32	Hexagon screw M 5x40	P...486 N
33	Hexagon nut M 5	P...493 G
34	folding square	561.261
35	V-profile ring VA 25	P...343
36	Weight mounting plate	560.276
37	Hexagon screw M 5x10	P...489 E
38	Brush sripe kit including items 8,11,15,16,39	561.220
39	Dirt rag	561.214
40	Hexagon screw M 8x10	P...487 A
41	Washer 8x12x2	P...496 AA
42	Threaded pin M 8x	P...486 FA

43 Hexagon nut M 8
44 Spring washer M 6
45 Cylindrical screw M 6x12

P...490 E
P...498 U
P...486 Q

RA 561 B
Drive unit for wheel support

As at: 02/03/16 Time:03:37



RA 561 B

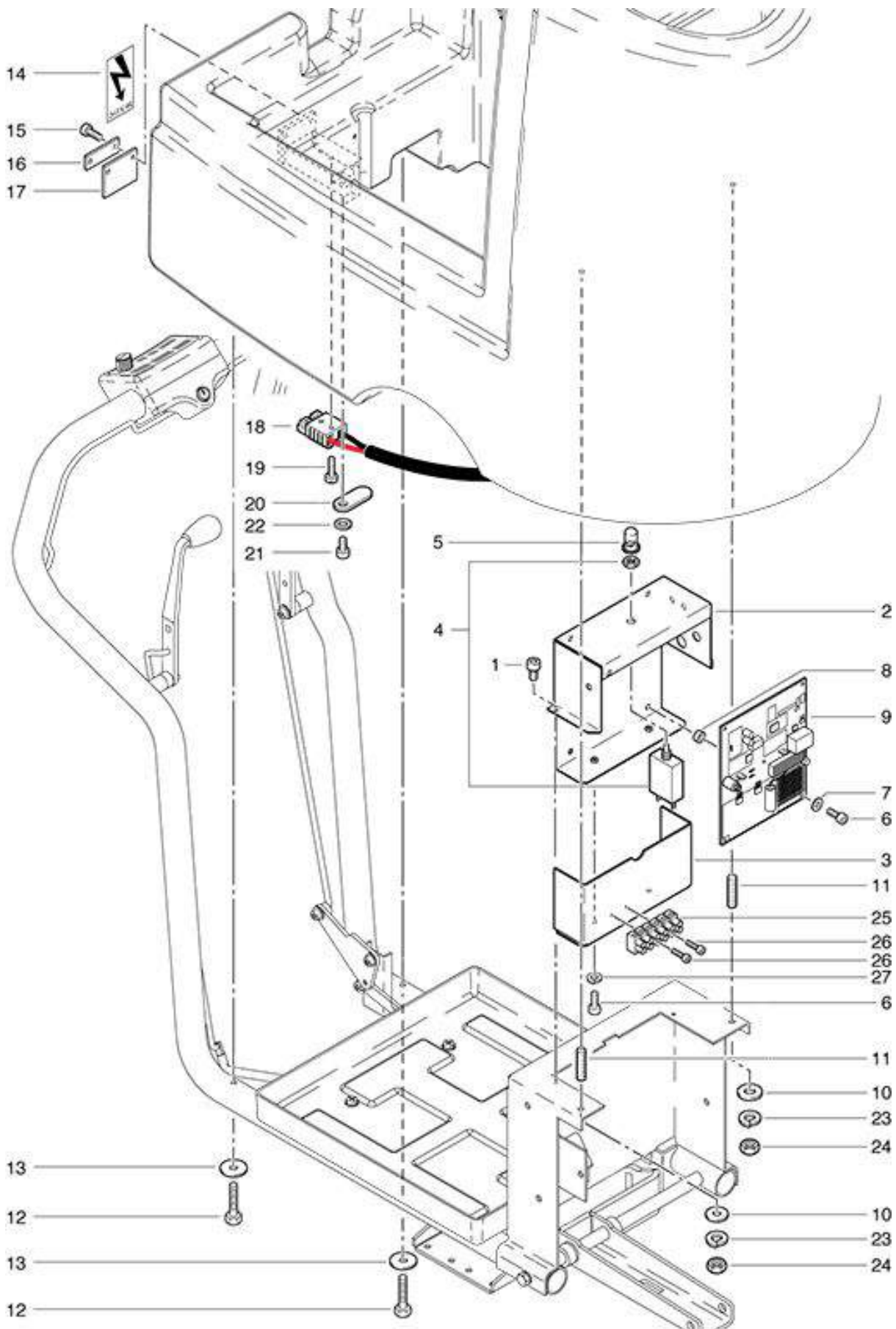
Drive unit for wheel support

As at: 02/03/16 Time:03:37

Pos.	Description	Reference
01	Hexagon screw M 8x10	P...487 A
02	Washer M 8	P...498 N
03	Castor Ø 125 mm	560.412
04	Security nut M 5	P...493 G
05	Washer M 5	P...497 G
06	Hexagon screw M 5x45	P...488 L
07	Hexagon screw M 5x10	P...489 E
08	Drive support	560.445
09	screw DIN 912 M5 x 16 A2	P...488 G
10	Drive motor including pos. 26	560.415
11	Support	560.446
12	Bearing cover	560.451
13	Serrated washer M 8	P...498 N
14	Hexagon screw M 8x16	P...487 C
15	Plummer block	560.450
16	Wheel complete, including Items 17-23	560.400
18	Wheel bearing	560.407
19	Tappet	560.406
20	Washer M 6	P...496 K
21	Hexagon screw M 6x12	P...486 Q
22	Ball bearing	P...316 R
23	Distance piece	530.246
24	Fuse	P...513 I
25	Wheel cover	530.242
26	Rim of toothed wheel	560.416
28	Wedge	P...513 W
29	Intermediate plate 4 hole	560.444

RA 561 B
Electronic

As at: 02/03/16 Time:03:37



RA 561 B

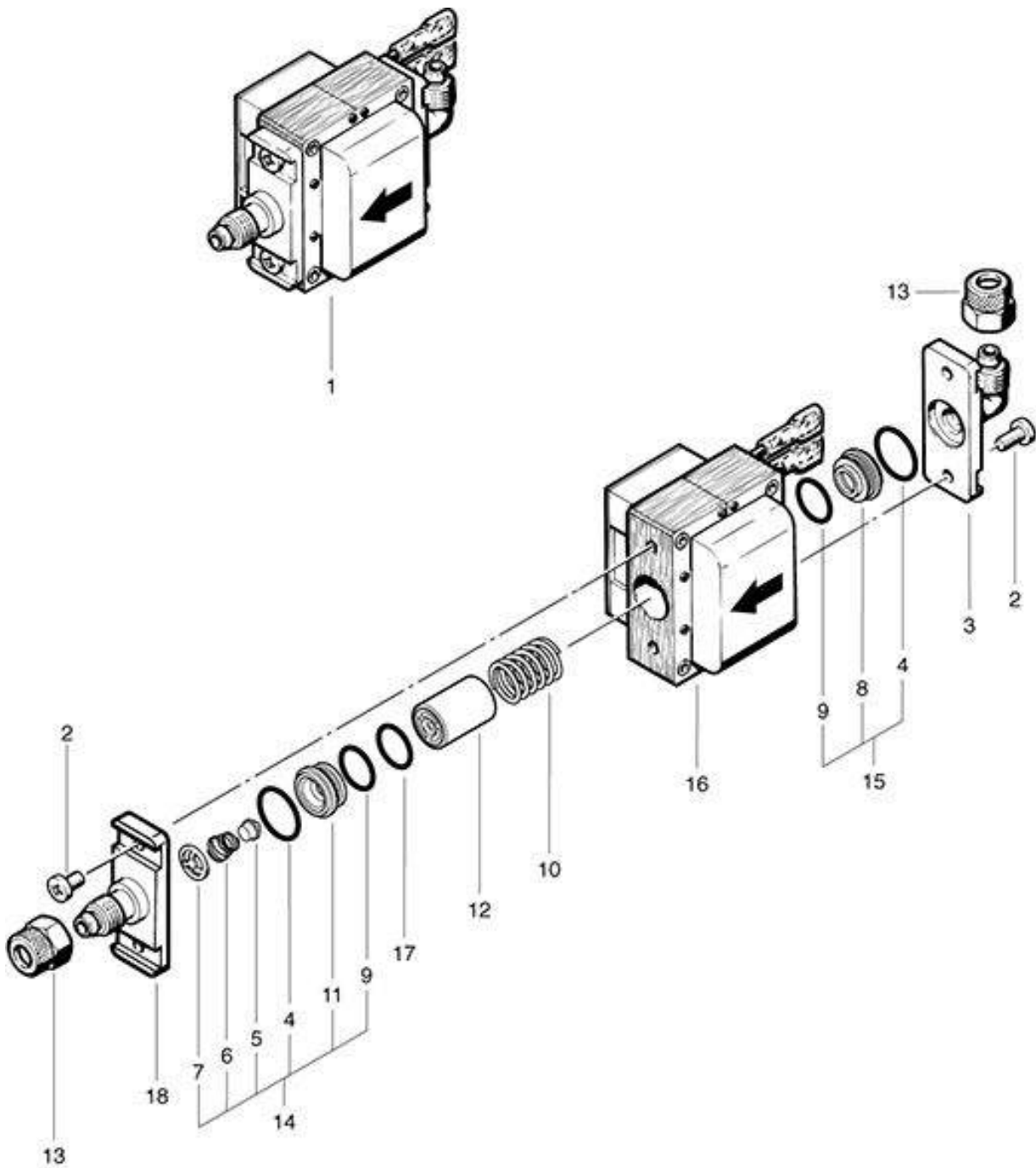
Electronic

As at: 02/03/16 Time:03:37

Pos.	Description	Reference
01	Hexagon screw M 4x8	P...488 B
02	Electronic box	560.352
03	Lead to electronic cover	560.353
04	Motor protection switch 13 A	560.715
05	Protection cover	500.957 A
06	Hexagon screw M 4x8	P...488 D
07	Washer M 4	P...497 D
08	Plastic socket Ø 4 / 8 / 5	P...509 E
09	Print	560.363
10	Washer M 6	P...496 L
11	Threaded pin M 6x25	P...513 K
12	Hexagon screw M 6x45	P...472 Y
13	Washer M 6x25x1	P...497 Y
14	Warning sticker	5101
15	Hexagon socket screw M 4x12 mm	P...486 A
16	Metal sheet clamp	560.623
17	Plug cover	560.622
18	Charging plug red	P...357 A
19	Pan head screw m 4x20	P...475 F
20	Metal sheet support for cable	470.463
21	Hexagon socket screw M 5x8 mm	P...488 E
22	Serated lock washer M 5	P...498 D
23	Locking screw M 6	P...498 U
24	Hexagon nut M 6	P...490 D
25	Clamping list 6 pole	P...383 F
26	Hexagon socket screw m 3x14 mm	P...477 B
27	Locking screw M 4	P...498 A

RA 561 B
Pump beg. machine no. 8645.001

As at: 02/03/16 Time:03:37



RA 561 B

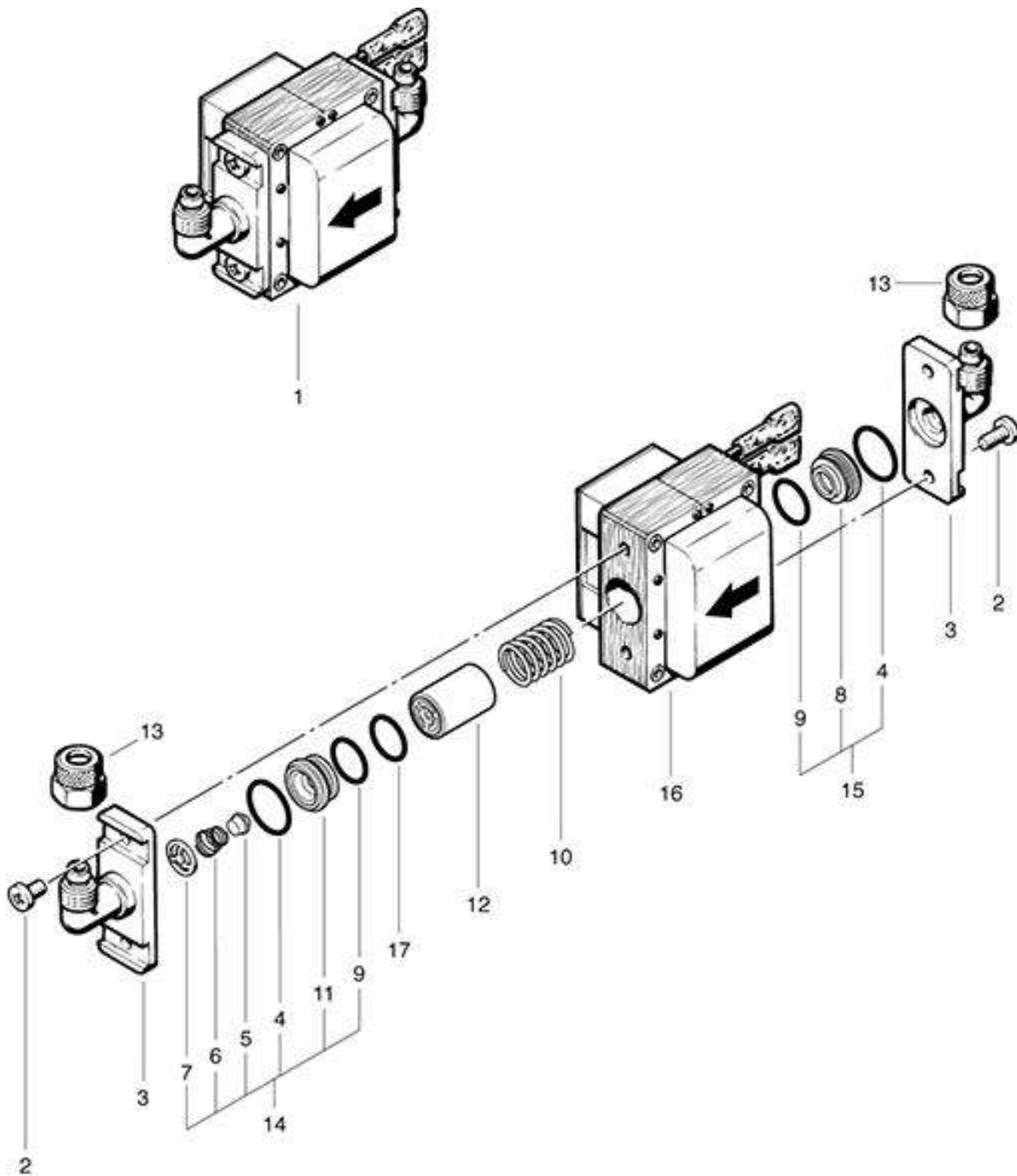
Pump beg. machine no. 8645.001

As at: 02/03/16 Time:03:37

Pos.	Description	Reference
01	NDS-CX pump 24 Volt DC	P...817 B
02	Raised head screw M 4x10	P...481 M
03	Angled fitting NW 6	P...810 M
04	O-ring Ø 14x1,5 mm	P...809 K
05	Valve cone	P...810 S
06	Valve spring	P...809 P
07	Counter ring	P...809 N
08	Spring support	P...809 F
09	O-ring Ø 12x1,5 mm NBR	P...809 L
10	Piston spring	P...809 E
11	Valve seating	P...809 Q
12	Piston	P...809 B
13	Sleeved nut 8/6-M 12	P...523 G
14	Valve seating compl. Including: items 4-7, 9+11	P...810 Y
15	Spring support compl. Including: items 4,8+9	P...810 X
16	Magnet coil 24 V DC	P...816 B
17	O-ring Ø 12x1,5 mm EPDM	P...809 LA
18	Connecting piece straight with thread	P...810 G

RA 561 B
Pump up to machine no. 8644

As at: 02/03/16 Time:03:37



RA 561 B

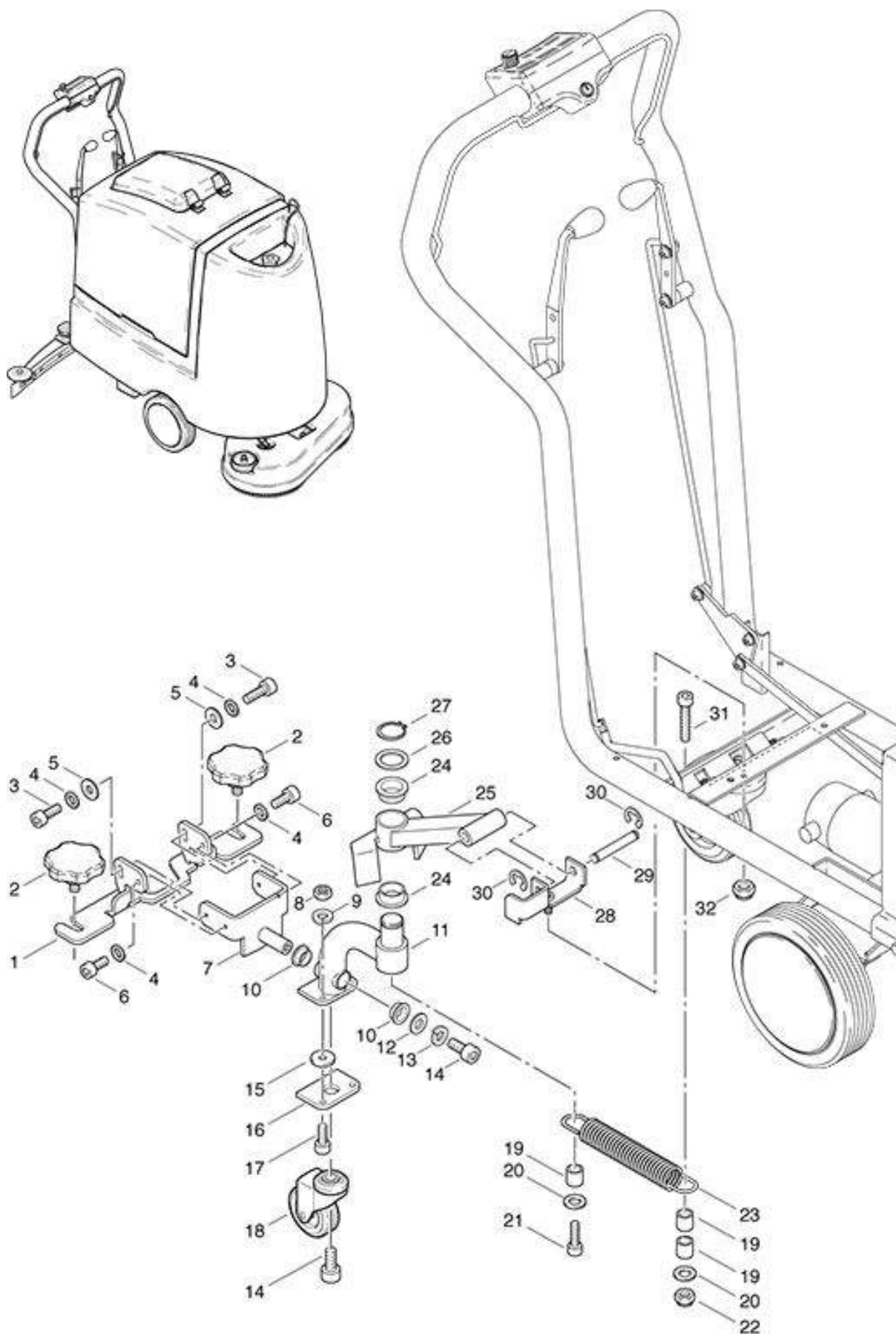
Pump up to machine no. 8644

As at: 02/03/16 Time:03:37

Pos.	Description	Reference
01	NDS-C pump 24 volts	P...817
02	Raised head screw M 4x10	P...481 M
03	Angled fitting NW 6	P...810 M
04	O-ring Ø 14x1,5 mm	P...809 K
05	Valve cone	P...810 S
06	Valve spring	P...809 P
07	Counter ring	P...809 N
08	Spring support	P...809 F
09	O-ring Ø 12x1,5 mm NBR	P...809 L
10	Piston spring	P...809 E
11	Valve seating	P...809 Q
12	Piston	P...809 B
13	Sleeved nut 8/6-M 12	P...523 G
14	Valve seating compl. Including: items 4-7, 9+11	P...810 Y
15	Spring support compl. Including: items 4,8+9	P...810 X
16	Magnet coil compl. 220-240 V	380.809 A
17	O-ring Ø 12x1,5 mm EPDM	P...809 LA

RA 561 B
Suspension suction nozzle up to machine no. 8612

As at: 02/03/16 Time:03:37



RA 561 B

Suspension suction nozzle up to machine no. 8612

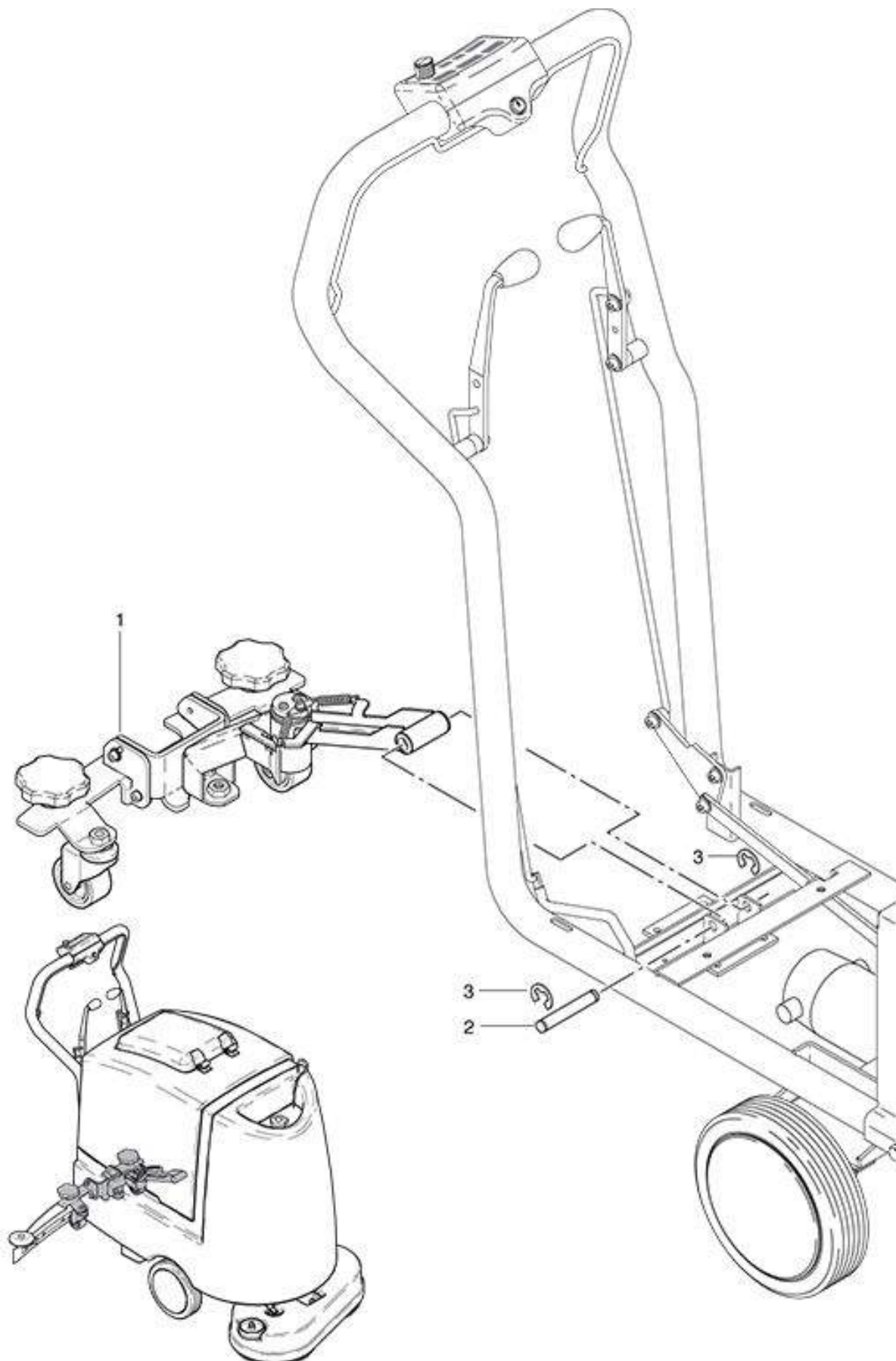
As at: 02/03/16 Time:03:37

Pos.	Description	Reference
01	Support to nozzle suspension	560.545
02	Star handle ø62 M8 x 18mm	P...253 M
03	Hexagon socket screw M 6x16	P...486 R
04	Serrated lock washer M 6	P...498 K
05	Washer M 6	P...496 L
06	Hexagon socket screw M 6x12	P...486 Q
07	Plate	560.544
08	Hexagon nut M 6	P...490 D
09	Locking screw M 6	P...498 U
10	Permaglide flanged bush	800.289
11	Pipe	560.543
12	Washer M 10	P...498 R
13	Locking screw M 10	P...498 E
14	Cylindrical screw M 10x30	P...487 ZC
15	Washer M 6	P...497 H
16	Adjustment plate	560.548
17	Hexagon socket screw M 6x25	P...489 O
18	Castor	560.547
19	Bearing bush	560.143
20	Washer M 6	P...496 K
21	Hexagon socket screw M 5x20	P...485 P
22	Security screw - nut M 6	P...495 B
23	Tension spring	560.567
24	Permaglide flanged bush	P...321 C
25	Removal	560.542
26	Washer 25/30/1	P...099
27	Retaining washer	P...513 D
28	Hinge	560.541
29	Axle	560.546
30	Retaining washer	P...499 N
31	Hexagon screw M 6x30	P...488 S
32	Security screw - nut M 8	P...492 H

RA 561 B

Suspension suction nozzle, beg. mach. no. 8613.001 to 864

As at: 02/03/16 Time:03:37



RA 561 B

Suspension suction nozzle, beg. mach. no. 8613.001 to 8649

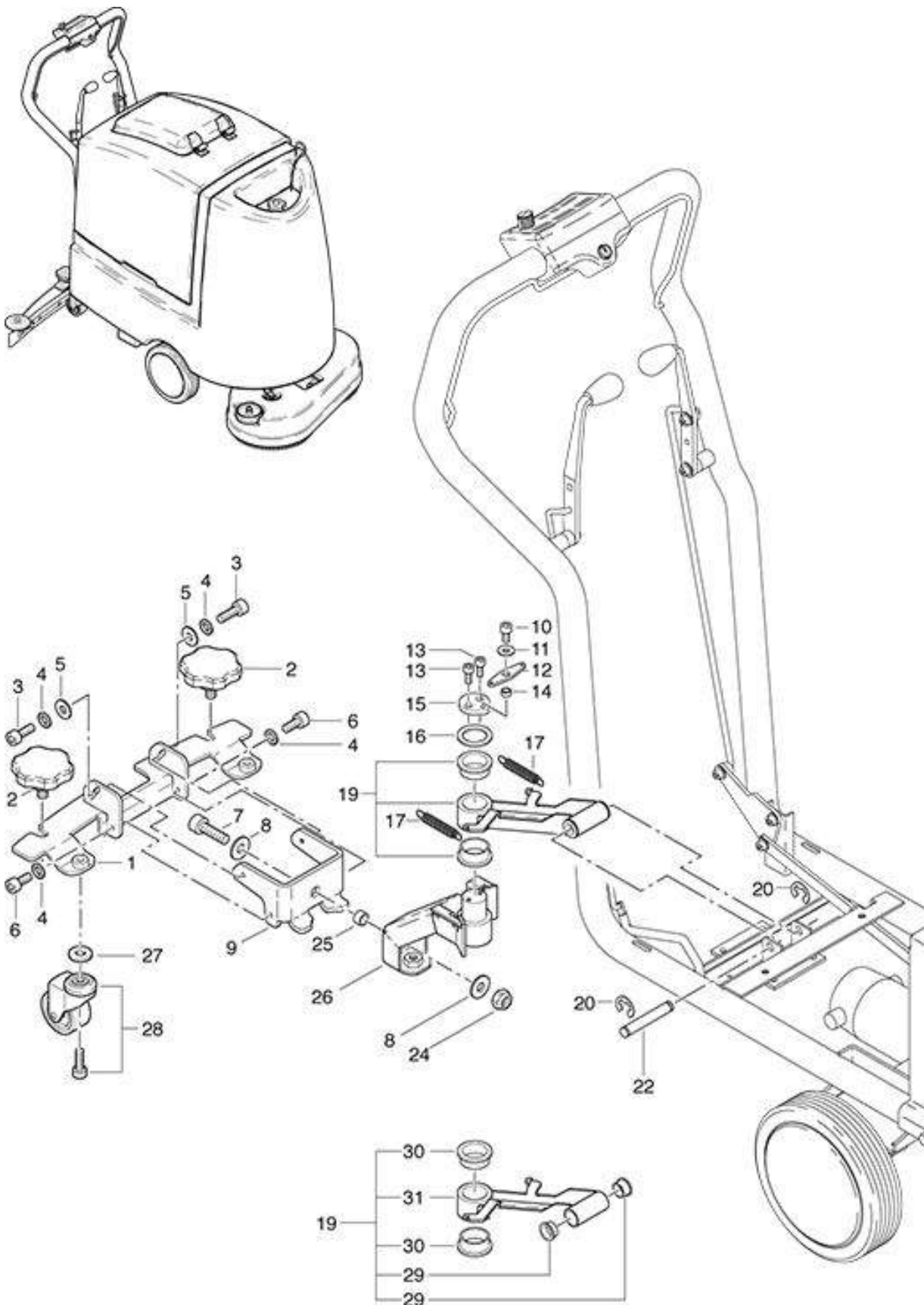
As at: 02/03/16 Time:03:37

Pos.	Description	Reference
01	Suspension suction nozzle compl.	561.520
02	Axle	560.546
03	Retaining washer	P...499 N

RA 561 B

Suspension suction nozzle, beg. mach. no. 8650.001

As at: 02/03/16 Time:03:37



RA 561 B

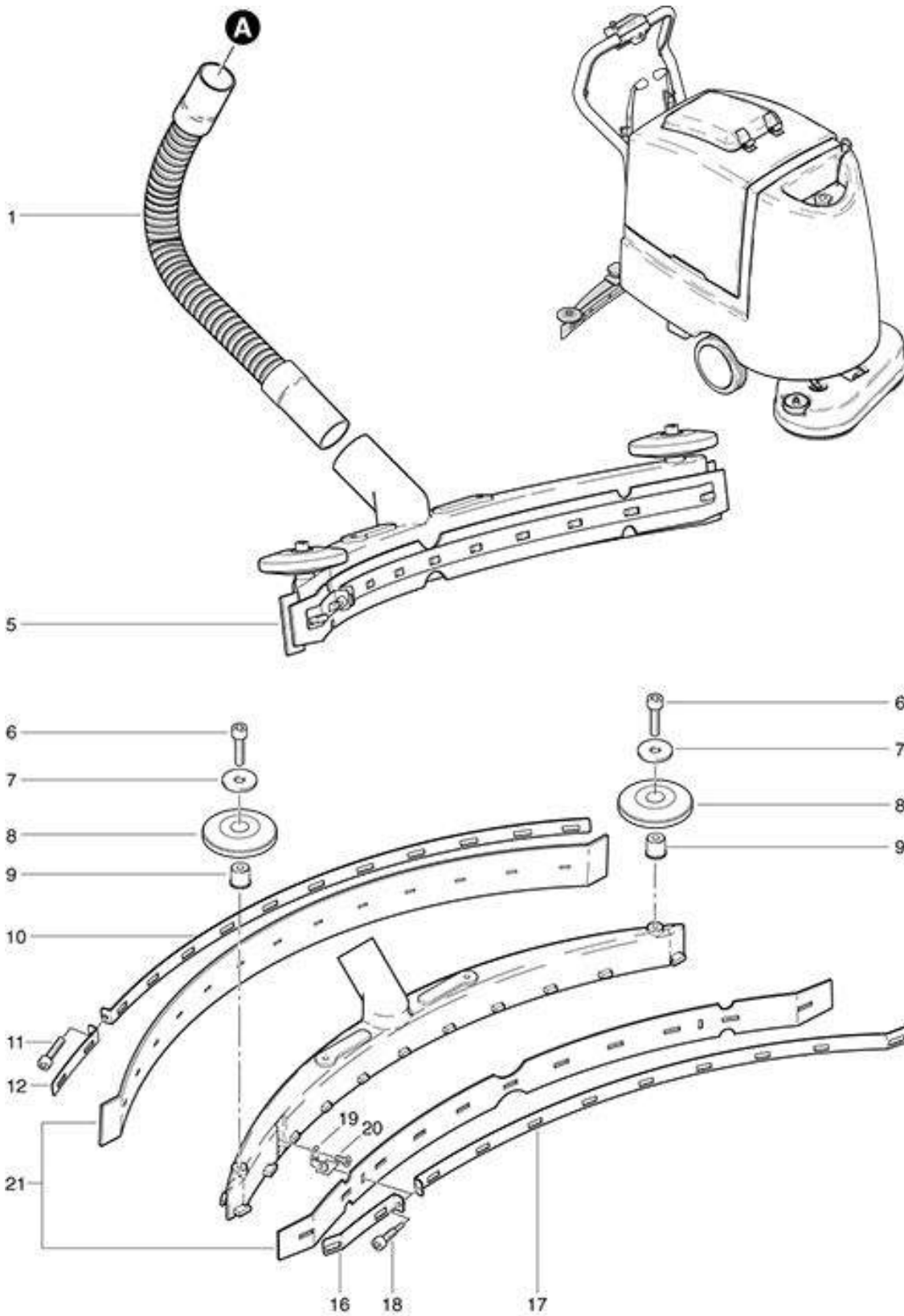
Suspension suction nozzle, beg. mach. no. 8650.001

As at: 02/03/16 Time:03:37

Pos.	Description	Reference
01	Support to nozzle suspension	560.527
02	Star handle	P...253 F
03	Hexagon socket screw M 6x16	P...486 R
04	Serrated lock washer M 6	P...498 K
05	Washer M 6	P...496 L
06	Hexagon socket screw M 6x12	P...486 Q
07	Hexagon socket screw M 8x25	P...487 D
08	Washer M 8	P...497 P
09	Plate	560.528
10	Hexagon socket screw M 5x8	P...488 E
11	Washer M 5	P...496 G
12	Latch spring plate	560.526
13	Hexagon socket screw M 4x10	P...489 D
14	Distance ring	560.525
15	Latch cover	560.524
16	Washer 25/30/1	P...099
17	Tension spring	560.568
19	Lever compl. including items 29,30+31	561.521
20	Retaining washer	P...499 N
22	Axle	560.532
24	Stop nut M 8	P...492 H
25	Distance ring	560.531
26	Pipe	561.523
27	Washer M 10	P...496 S
28	Castor compl.	P...209 C
29	Permaglide sleeve 10/12/9	500.123
30	Permaglide sleeve 25/28/11,5	P...321 C
31	Lever	560.522

RA 561 B
Tractor nozzle

As at: 02/03/16 Time:03:38

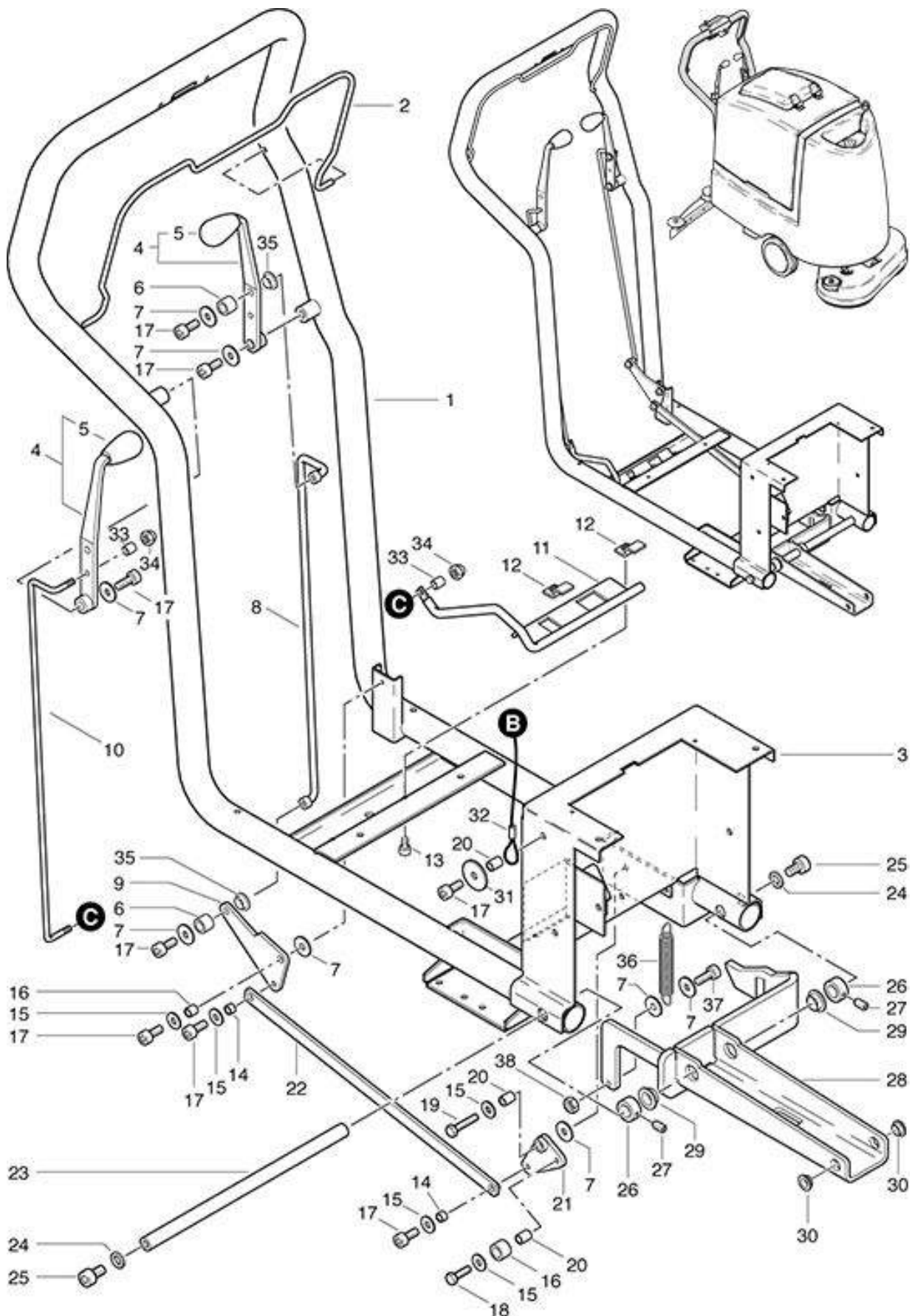


RA 561 B

Tractor nozzle

As at: 02/03/16 Time:03:38

Pos.	Description	Reference
01	Hose complete	470.832
05	Suction nozzle complete, including items 6-20	560.560
06	Cylindrical screw M 8x35	P...473 D
07	Washer M 8	P...500 N
08	Fender wheel	800.561
09	Bearing bolt	800.423
10	Support plate in the back	560.562
11	Cylindrical screw M 5x25	P...488 K
12	Support plate small in the back	560.564
16	Support plate small in front	560.561
17	Support plate in front	560.563
18	Set screw	800.425
19	Owner	560.566
20	Countersunk screw M 4x8	P...480 C
21	Suction lips set, standard	560.082
21	Suction lips set, oil and fatsteadily	560.081



RA 561 B

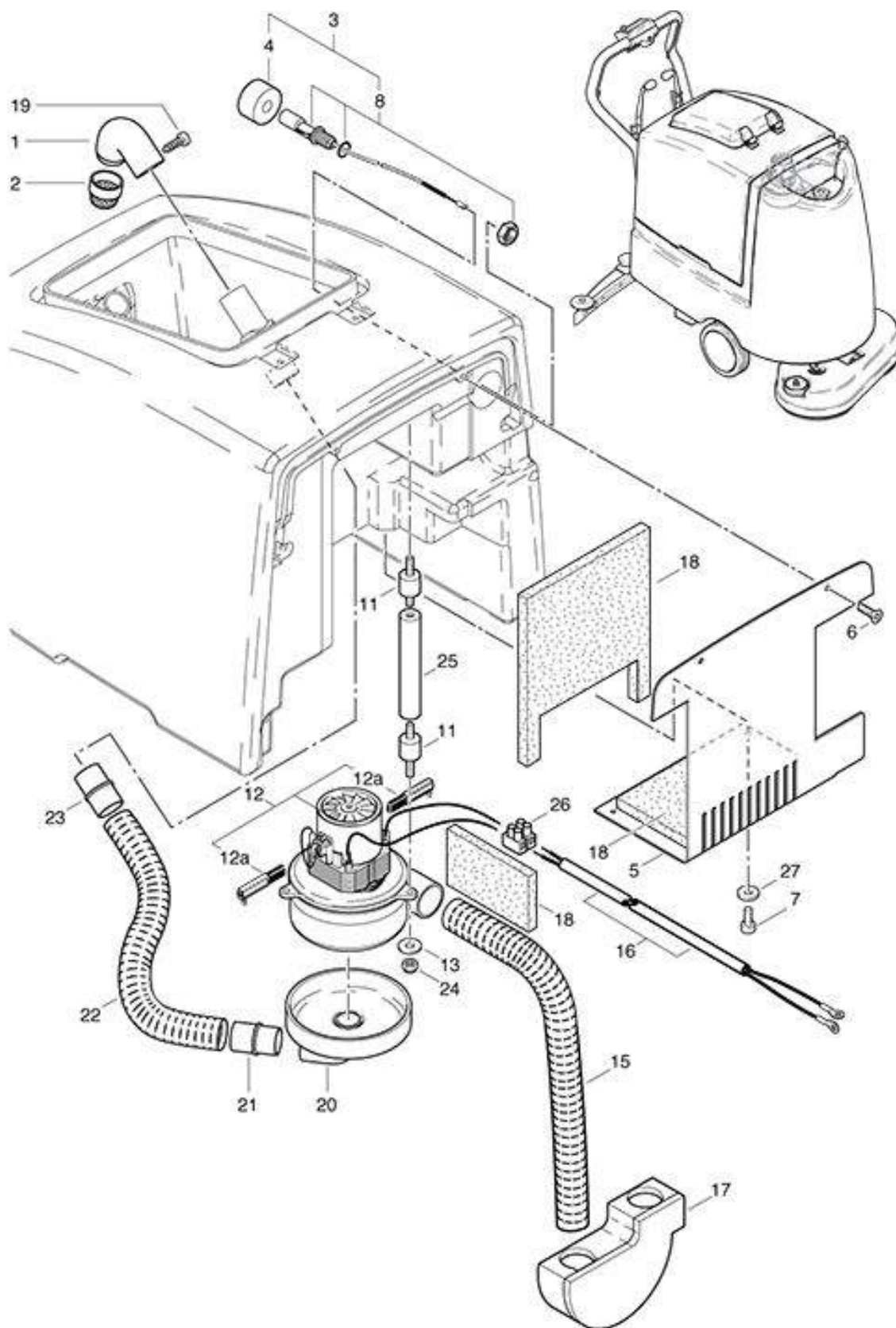
Upper pushbar

As at: 02/03/16 Time:03:38

Pos.	Description	Reference
01	Push-bar complete	560.120
02	Switch bar	560.570
03	Trigger front	560.438
04	Operating lever compl.	560.160
05	Handle	530.809
06	Plastic can	P...509 G
07	Washer M 6	P...496 K
08	Coupling bar	560.435
09	Handle 2	560.151
10	Coupling bar to suction nozzle	560.578
11	Lifting handle to suction nozzle	560.575
12	Bearing bride	560.577
13	Hexagon socket screw M 4x8	P...488 D
14	Bearing sleeve	560.143
15	Washer M 6	P...496 V
16	Bearing sleeve bronze	560.144
17	Hexagon socket screw M 6x12	P..470 R
18	Hexagon screw M 6x20	P...470 X
19	Hexagon screw M 6x30	P...470 U
20	Bearing sleeve	560.142
21	Handle 1, as from Masch.no. 8836	561.141
21	Handle 1,up to Masch.no.8835	560.141
22	Leesh	560.432
23	Cover plate	560.425
24	Washer M 12	P...498 V
25	Hexagon socket screw M 12x20	P...488 W
26	Adjusting ring	560.428
27	Screw M 5x8	P...482 V
28	Lifting lever	560.224
29	Permaglidebuechse	P...321 E
30	Permaglidebuechse	500.123
31	Washer M 6x25	P...497 Y
32	Cordel	560.726
33	Bearing sleeve	560.143
34	Castellated nut M 5	P...495 F
35	Permaglide Büchse 8/10/5.5	P...321 D
36	Mainspring	560.225
37	Hexagon socket screw M 6x18	P...486 R
38	Nut M 6	P...490 D

RA 561 B
Vacuum motor assembling

As at: 02/03/16 Time:03:38



RA 561 B

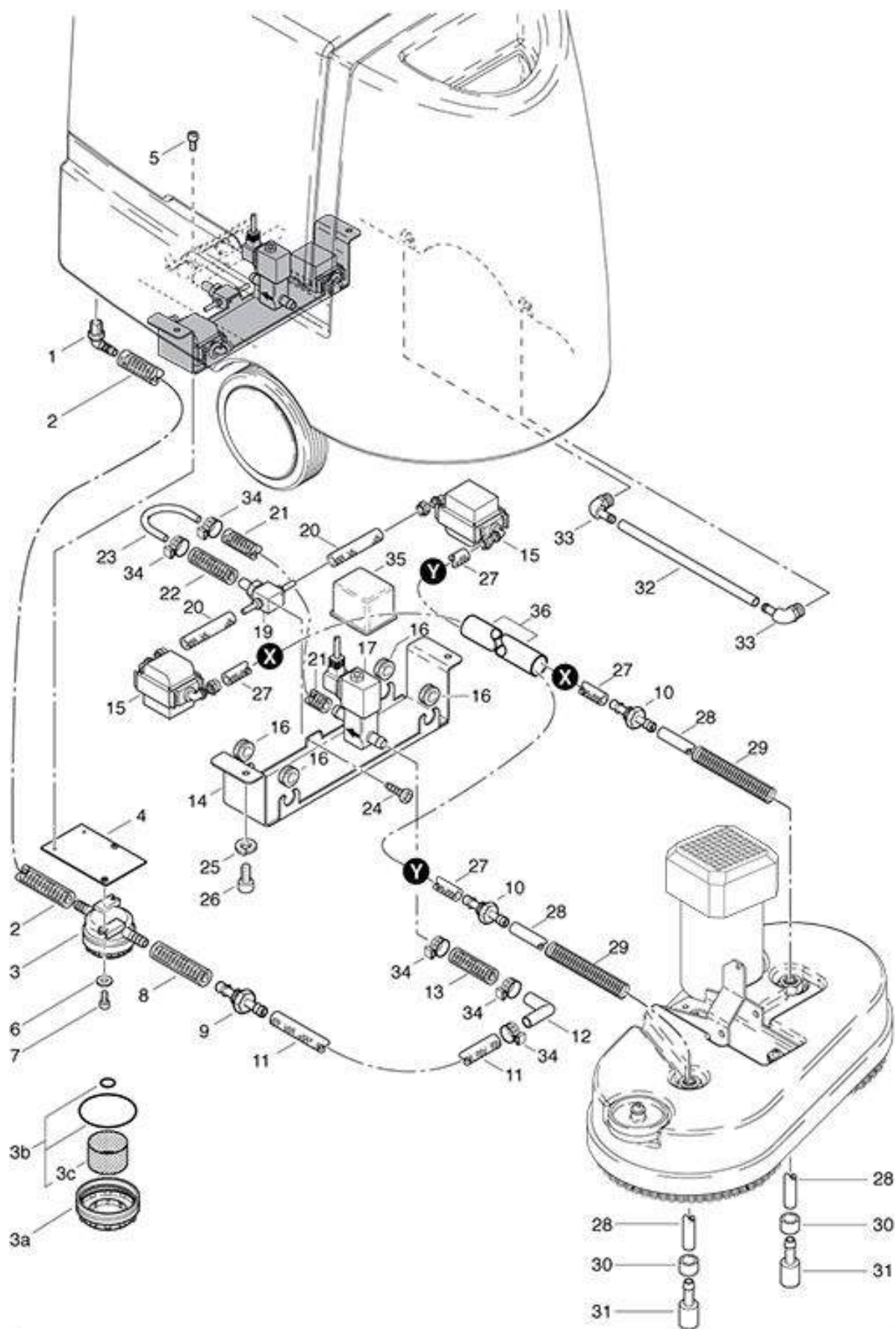
Vacuum motor assembling

As at: 02/03/16 Time:03:38

Pos.	Description	Reference
01	Angled tube joint	560.674
02	Filter	400.766 A
03	Level sensor compl. pos 4+8	560.664
04	Float	560.670
05	Cover to blower	560.677
06	Sinking screw M 5x12	P...480 D
07	Hexagon screw M 5x8	P...488 E
08	Level sensor	560.669
11	Rubber buffer 20x20	560.662
12	Vacuum motor compl. 24 V	440.206
12a	Pair of carbon brushes	440.206 KB
13	Washer M6	P...496 L
15	Drain hose	560.681
16	Wiring harness compl.	560.770
17	Muffler	560.686
18	Noise absorbing canal 3 Stk.	560.678
19	Screw	P...482 M
20	Top cap	560.490
21	Sucking in adapter blower	560.684
22	Suction hose	560.682
23	Sucking in adapter tank	560.683
24	Lock nut	P...493 K
25	Spacer pin 93 mm	560.685
26	Strip 2 pole	P...383 G
27	Washer M 5	P...497 R

RA 561 B
Water distribution up to machine no. 8644

As at: 02/03/16 Time:03:38



RA 561 B

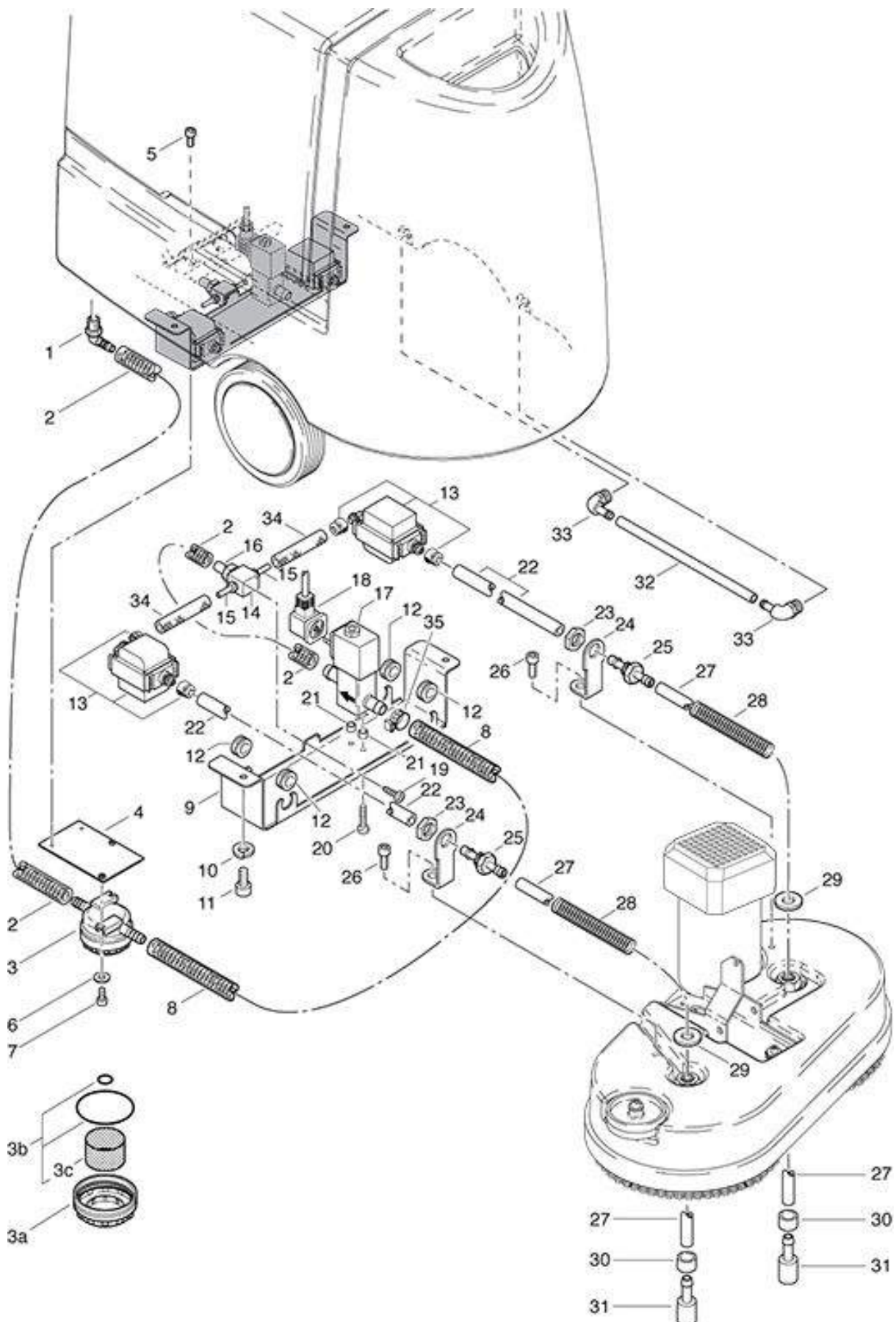
Water distribution up to machine no. 8644

As at: 02/03/16 Time:03:38

Pos.	Description	Reference
01	Angled fitting 12 / 3/8"	P...541 D
02	Hose	560.236
03	Water filter	430.759
03a	Filter cover	430.258
03b	Filter kit	430.759 A
03c	Filter	430.759 B
04	Holding plate to water filter	560.427
05	Hex. socket screw M 4x10	P...489 D
06	Washer M 4	P...497 D
07	Cylindrical screw M 4x8	P...488 D
08	Hose 50 mm	560.241
09	Double nipple 10/10	560.242
10	Double nipple Brass	400.342
11	Hose 210 mm	560.243
12	Angle	560.244
13	Hose 30 mm	560.245
14	Pump owner	560.222
15	NDS-X pump 24 Volt	P...817
16	Grommet Ø 14 mm	P...207 A
17	Single solenoid valve record 24 V	560.228
19	Manifold	560.223
20	Hose 90 mm	560.246
21	Hose 120 mm	430.238
22	Hose 50 mm	560.248
23	Water conduit	560.582
24	Tapping screw 2.9x9,5	P...483 G
25	Locking screw M 8	P...498 N
26	Cylindrical screw M 8x16	P...487 C
27	Hose 500 mm	560.249
28	Suction hose 8/6x210mm	400.341
29	Protection spring	900.162 A
30	Locking sleeve Ø 10 mm	900.167
31	Connector 12x14	614.125
32	Pressure hose	560.237
33	Angled hose nipple 8/R 1/4"	P...541 H
34	Hose clip 010.9	P...550 K
35	Protective cap	430.233 B
36	Protecting cover	560.241

RA 561 B
Waterdistribution beg. machine no. 8645.001

As at: 02/03/16 Time:03:38



RA 561 B

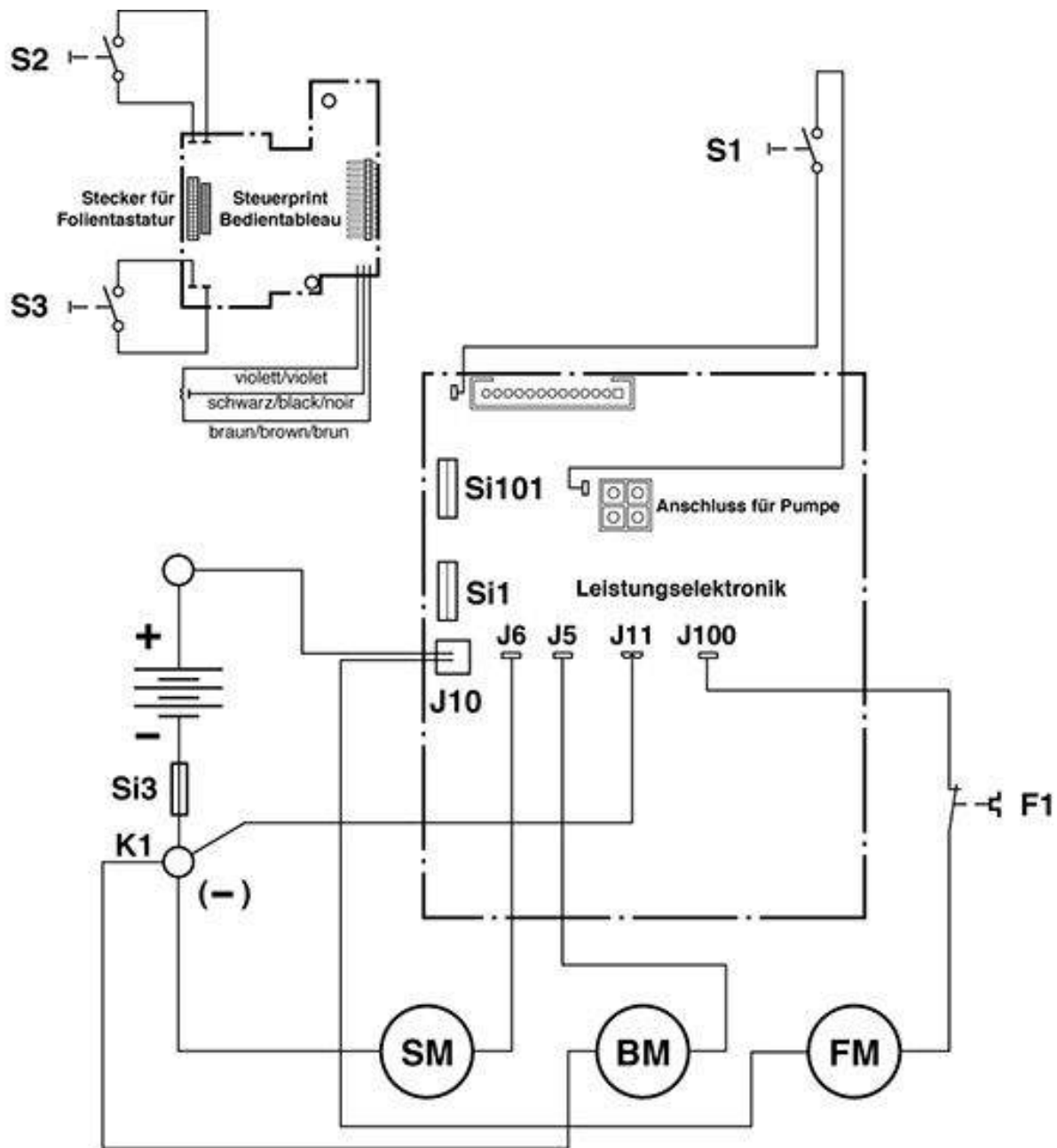
Waterdistribution beg. machine no. 8645.001

As at: 02/03/16 Time:03:38

Pos.	Description	Reference
01	Angled fitting 12 / 3/8"	P...541 D
02	Hose	560.236
03	Water filter compl.	430.759
03a	Filter cover	430.258
03b	Filter kit	430.759 A
03c	Filter	430.759 B
04	Holding plate to water filter	560.427
05	Hex. socket screw M 4x10	P...489 D
06	Washer M 4	P...497 D
07	Cylindrical screw M 4x8	P...488 D
08	Hose 280 mm	560.231
09	Pump owner	560.222
10	Locking screw M 8	P...498 N
11	Cylindrical screw M 8x16	P...487 C
12	Grommet Ø 14 mm	P...207 A
13	NDS-CX pump 24 Volt DC	P...817 B
14	Manifold	560.223
15	Nipple even 6/R 1/8"	P...540 B
16	Nipple straight 12/R 3/8"	P...540 N
17	Magnetic valve 24 V	P...258
18	Cable for magnetic valve	561.766
19	Tapping screw 2.9x9,5	P...483 G
20	Pt-screw KA 40x20	P...515 X
21	Spacer approximately	P...509 F
22	Hose 8/6x330 mm	400.262
23	Hexagon nut 14x4 1/8"	P...535 I
24	Support angle	560.287
25	Double nipple Brass	400.342
26	Cylindrical screw M 5x12	P...488 B
27	Hose 8/6x170 mm	400.261 A
28	Feather / spring	900.162 A
29	Washer M8 8.4/20/2	P...510 O
30	Locking sleeve 10 mm	900.167
31	Connector 12x14	614.125
32	Pressure hose	560.237
33	Angled fitting R 1/4"	P...541 H
34	Hose 90 mm	560.246
35	Hose clip 19.8-706R	P...550 N

RA 561 B
Wiring diagram

As at: 02/03/16 Time:03:38



- Si 1 = Feinsicherung 3,15 A / Fuse 3,15 A / Fusible 3,15 A
- Si 101 = Feinsicherung 1 A / Fuse 1 A / Fusible 1 A
- Si 3 = Hauptsicherung 50 A / Fuse 50 A / Fusible 50 A
- F 1 = Thermorelais 10 A / Relais 10 A / Relais 10 A
- S 1 = Schwimmerschalter
- S 2 = Schlüsselschalter
- S 3 = Tastschalter Fahrmotor
- K 1 = Klemme für Minuspol
- SM = Saugmotor / Vacuum motor / Moteur d'aspiration
- BM = Bürstmotor / Motor / Moteur
- FA = Fahrmotor / Driving motor / Moteur à rouler

RA 561 B

Wiring diagram

As at: 02/03/16 Time:03:38

Pos.	Description	Reference
BM	Brush motor	560.250
F1	Thermal relay 10 A	500.957
FA	Drive motor	560.415
K 1	Clamp for negative pole
S 1	Float switch	560.669
S 2	Key switch	560.361
S 3	Push-button drive motor
Si 1	Fuse 3,15 A	P...363 B
Si 10	Fuse 1 A	P...218 A
Si 3	Fuse 50 A	560.710
SM	Vacuum motor	560.666