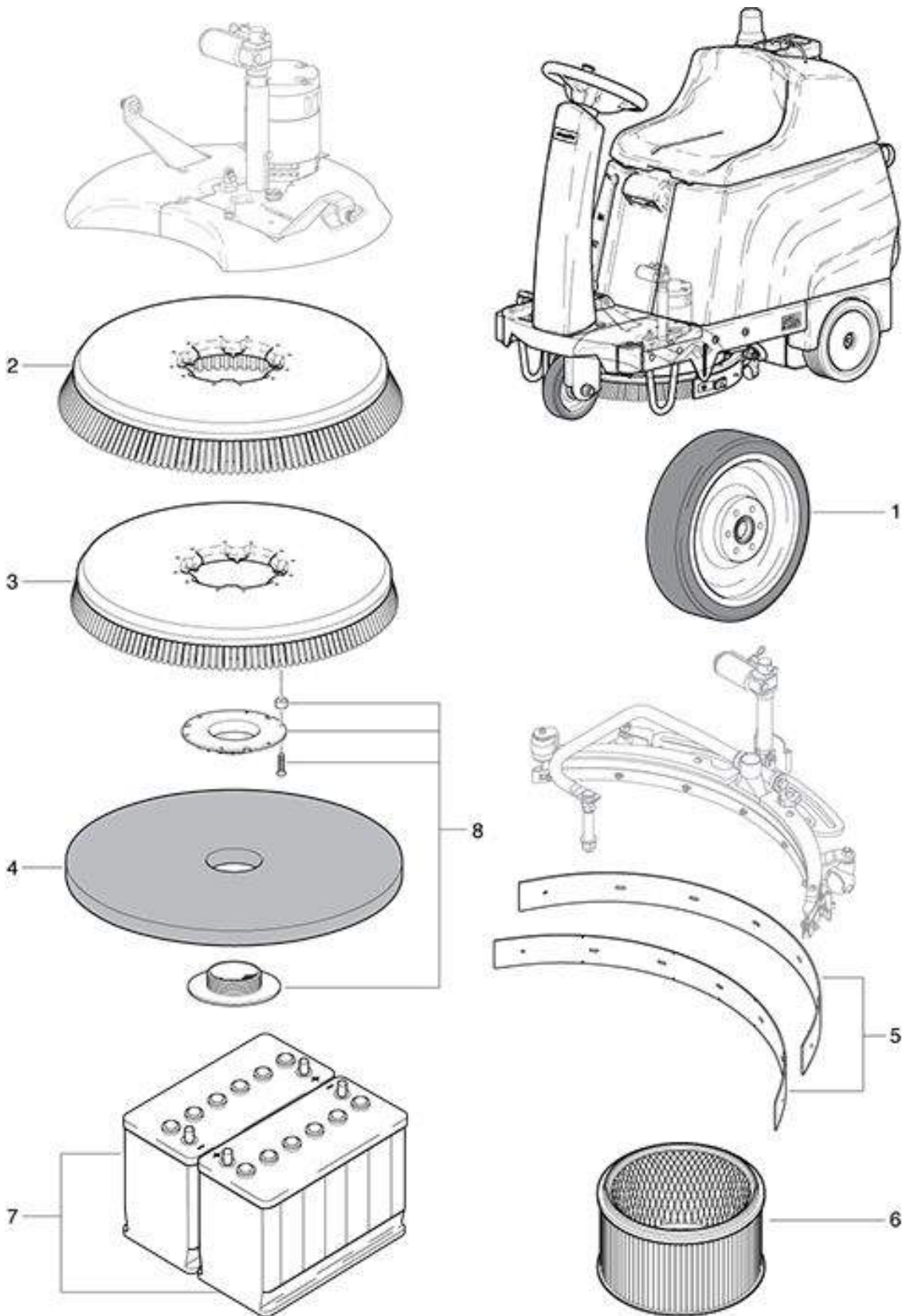


RA 535 IBCT
Accessoires

As at: 02/03/16 Time:03:46



RA 535 IBCT

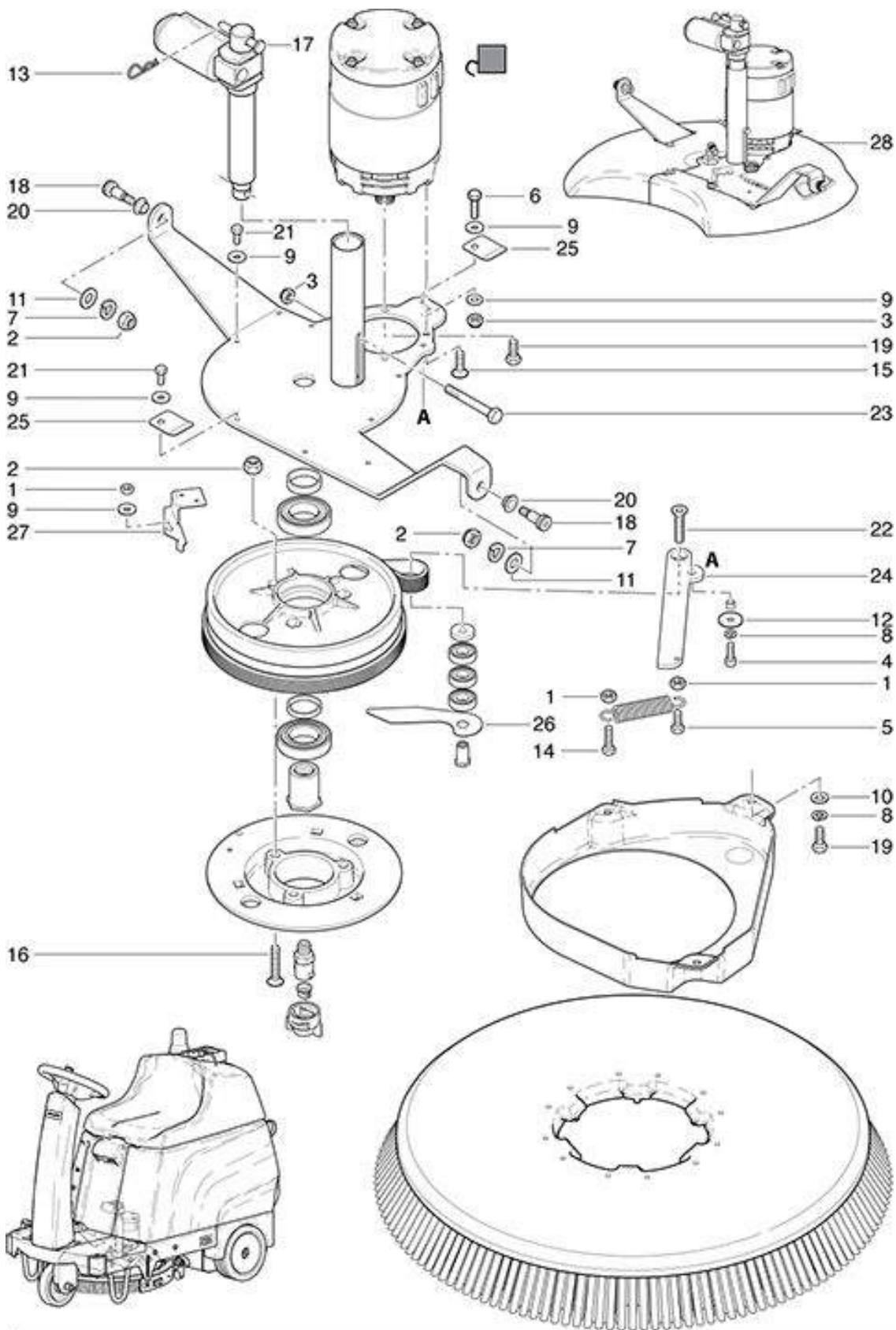
Accessoires

As at: 02/03/16 Time:03:46

| Pos. | Description | Reference |
|-------------|---|------------------|
| 01 | Traction wheel supergrip yellow | 535.250 |
| 02 | 5K-brush (supermarket mix) | 535.059 K |
| 02 | Scrubbing brush 53 cm | 535.073 |
| 02 | Scrubbing brush 53 cm | 535.059 |
| 03 | Driving disc 53 cm | 535.070 |
| 04 | Pad brown 53 cm (5 pcs) | 535.912.5 |
| 04 | Pad blue 53 cm (5 pcs) | 535.911.5 |
| 04 | Pad red 53 cm (5 pcs) | 535.910.5 |
| 05 | Rubber blade standard | 535.082 |
| 05 | Rubber blade oil resistant | 535.081 |
| 05 | Rubber blade linatex (tile floors) | 535.083 |
| 06 | Hepa filter cartridge | 535.450 |
| 07 | 2 AGM batteries 12 V/115 Ah (330 x 174 x 237,5) | 436.093 |
| 08 | Center Lock 2-piece | 535.071 |

RA 535 IBCT
Brush drive

As at: 02/03/16 Time:03:46



RA 535 IBCT

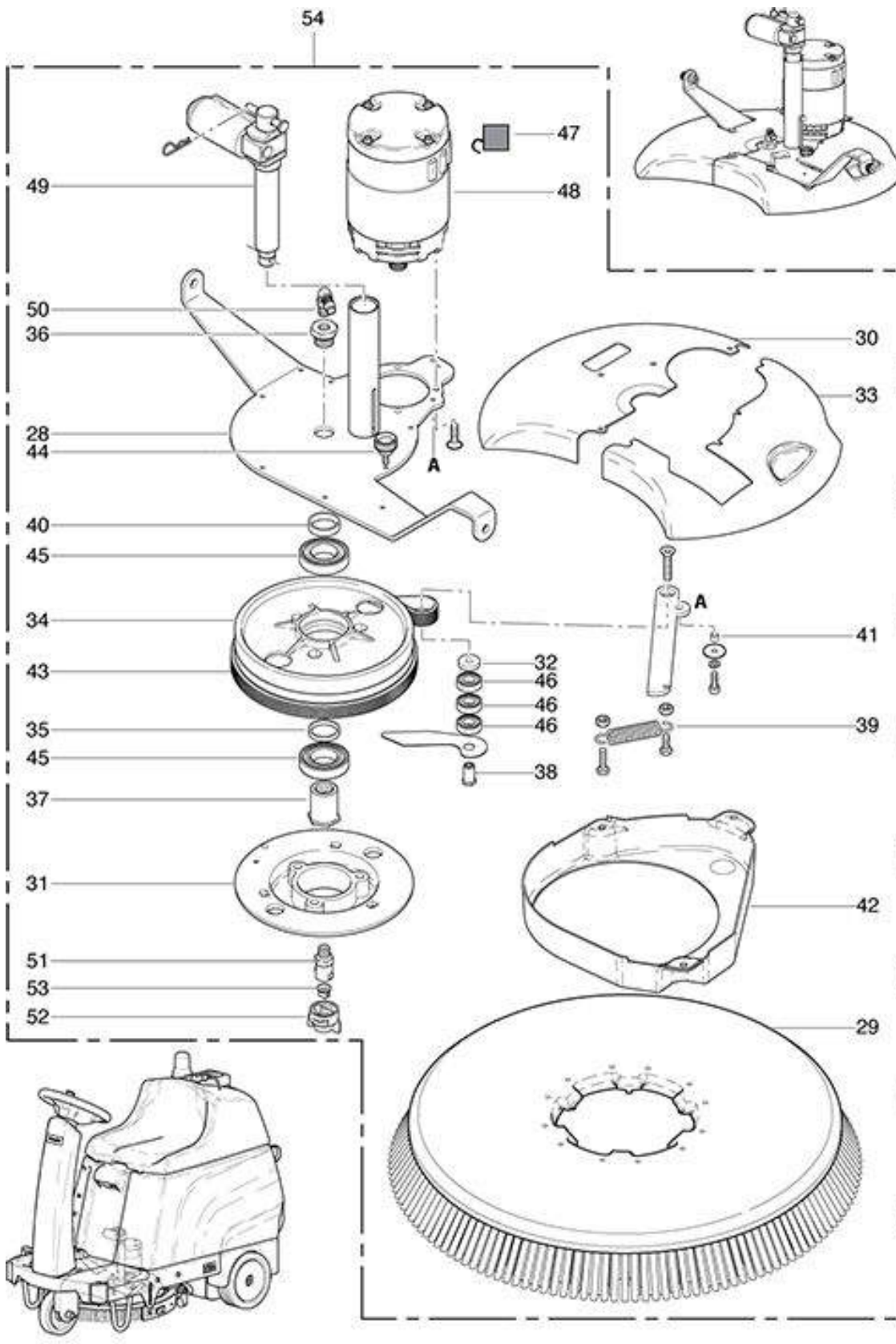
Brush drive

As at: 02/03/16 Time:03:46

| Pos. | Description | Reference |
|-------------|---|------------------|
| 01 | Nut M 6 DIN 934 | P...490 D |
| 02 | Nut M 8 DIN 982 | P...492 H |
| 03 | Nut M 6 DIN 982 | P...492 K |
| 04 | Screw M 6x16 DIN 912 | P...486 R |
| 05 | Screw DIN 933 M 6x16 | P...470 T |
| 06 | Screw M 6x30 DIN 933 | P...486 W |
| 07 | Washer M 10 DIN 127 B | P...497 O |
| 08 | Washer M 6 DIN 127 B | P...496 V |
| 09 | Washer DIN 9021 M6 6,4/18/1,6 | P...496 L |
| 10 | Washer 6x12 DIN 125 | P...497 K |
| 11 | Washer 10x21 DIN 125 | P...510 A |
| 12 | Washer 6x24x2 DIN 9021 | P...510 L |
| 13 | Galvanized steel split pin Ø2 | 535.620 |
| 14 | Screw M 6x25 DIN 933 | P...472 U |
| 15 | Thread-locker screw M 6x12 DIN 7991 | |
| 16 | Screw M 8x45 DIN 7991 | P...479 P |
| 17 | Pin 8x55 ISO 2341 B | |
| 18 | Screw M 8x16 | |
| 19 | Screw M 6x12 DIN 933 | P...470 R |
| 20 | Brush/Squeegee auto-lubricating bearing | 535.523 |
| 21 | Screw M 6x14 DIN 933 | P...470 RA |
| 22 | Screw M 8x30 DIN 7991 | P...488 V |
| 23 | Screw M 6x65 DIN 931 | |
| 24 | Brush belt tensioning plate | 535.517 |
| 25 | Brush casing plate | 535.525 |
| 26 | Brush drive belt support | |
| 27 | Solenoid support bracket | 535.530 |
| 28 | Brush head assy. | 535.531 |

RA 535 IBCT
Brush drive - a

As at: 02/03/16 Time:03:46



RA 535 IBCT

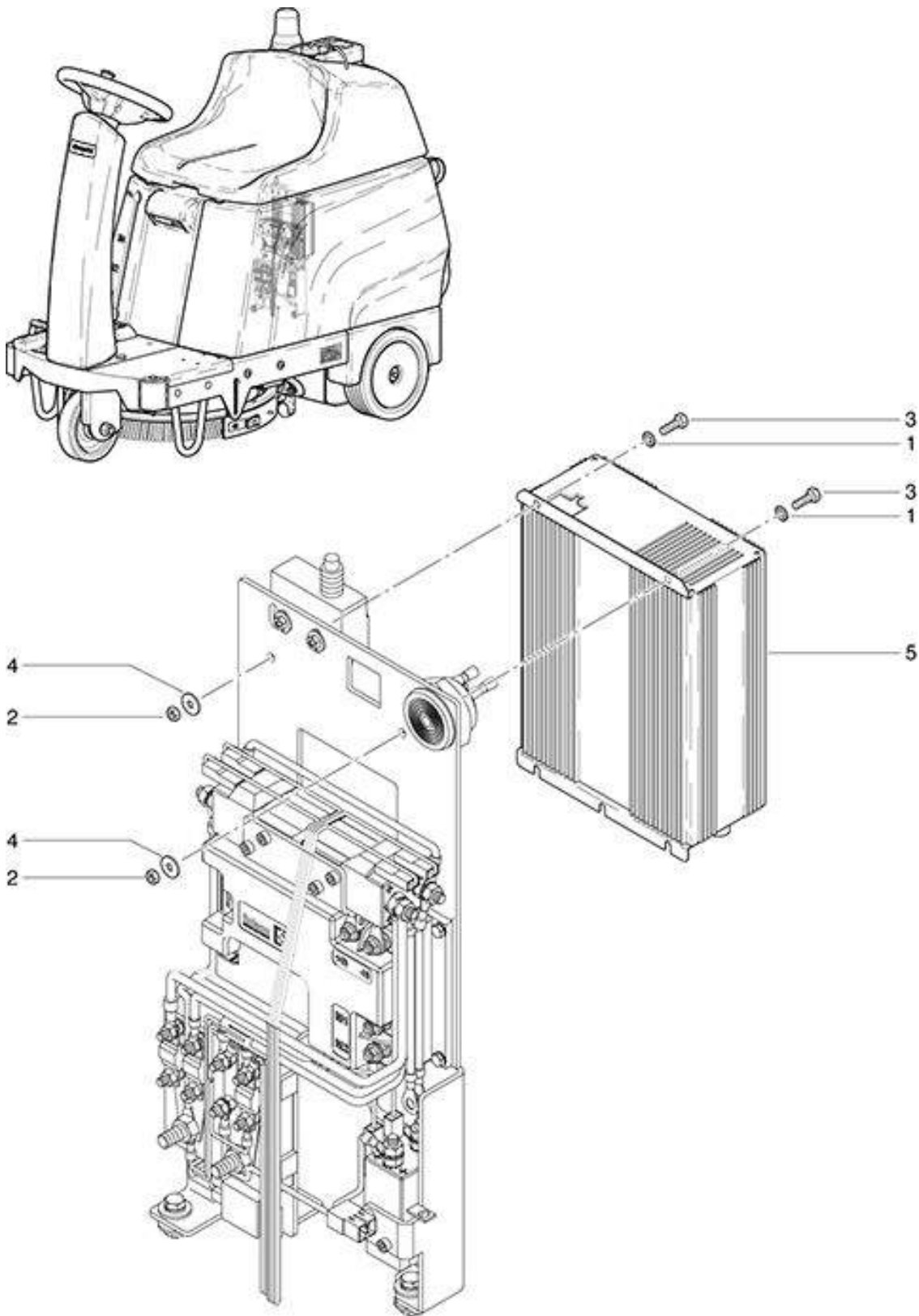
Brush drive - a

As at: 02/03/16 Time:03:46

| Pos. | Description | Reference |
|-------------|---|------------------|
| 28 | Brush holder | 535.503 |
| 29 | 21\'' PPL 0,5 blue brush with consumption indicator | 535.059 |
| 30 | Right brush protective casing | 535.524 |
| 31 | Brush attachment hub | 535.515 |
| 32 | Brush belt bearings spacer | 535.518 |
| 33 | Left brush protective casing | 535.526 |
| 34 | Brush pulley | 535.510 |
| 35 | Brush bearings spacer | 535.509 |
| 36 | G1/4\'' drilled G1/2\'' bolt | 535.505 |
| 37 | G1/2\'' drilled Ø 30 bolt | 535.511 |
| 38 | Threaded pin M 8 Ø12 | 535.519 |
| 39 | Brush belt tensioning spring | 535.521 |
| 40 | Brush bearings spacer | 535.507 |
| 41 | Brush belt tensioning spacer | 535.520 |
| 42 | Brush belt carter | 535.529 |
| 43 | Poly-CP 300 J 8 belt | 535.516 |
| 44 | Grooved knob M 6x16 | 535.527 |
| 45 | Brush pulley bearing 6006 2RS | 535.508 |
| 46 | Bearing 6001-2RSL | P...316 C |
| 47 | Charbon | |
| 48 | Brush motor 24V | 535.504 |
| 49 | Brush lifting jack | 535.522 |
| 50 | Barb connector G1/4\'' Ø10 90° | 535.506 |
| 51 | Sprayer holder M 1/4\'' | 535.512 |
| 52 | Blue quick connevtion kit | 535.514 |
| 53 | Nozzle TP 8005 VP | 535.513 |
| 54 | Brush head kpl. | 535.531 |

RA 535 IBCT Charger

As at: 02/03/16 Time:03:46



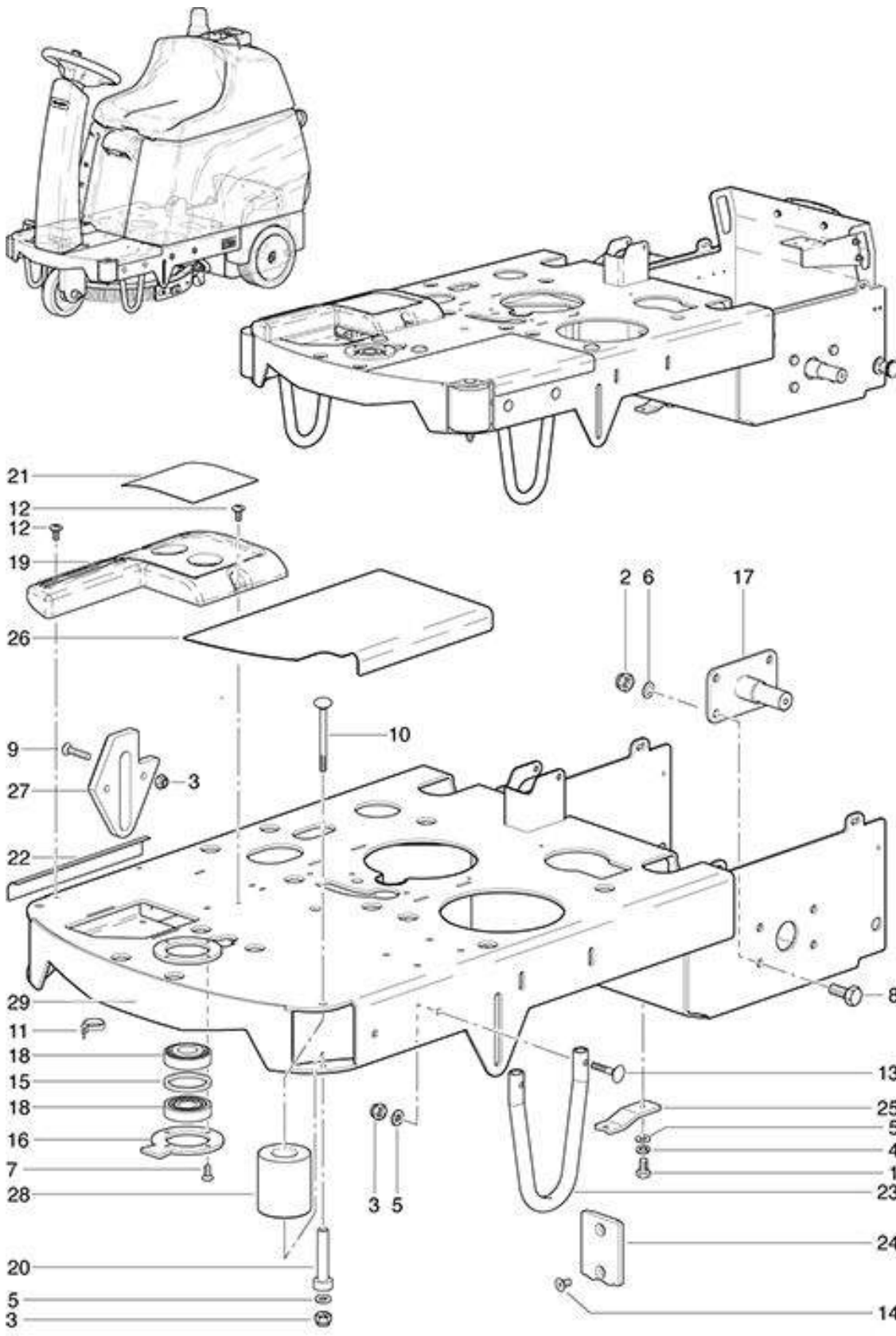
RA 535 IBCT Charger

As at: 02/03/16 Time:03:46

| Pos. | Description | Reference |
|-------------|------------------------|------------------|
| 01 | Washer M4 DIN 6798 A | P...499 B |
| 02 | Nut M4 DIN 6798 A | P...490 B |
| 03 | Screw M 4x12 DIN 933 | P...488 A |
| 04 | Washer M 4x12 DIN 9021 | P...496 C |
| 05 | Charger CBHD1-XR | 535.825 |

RA 535 IBCT Chassis

As at: 02/03/16 Time:03:46



RA 535 IBCT

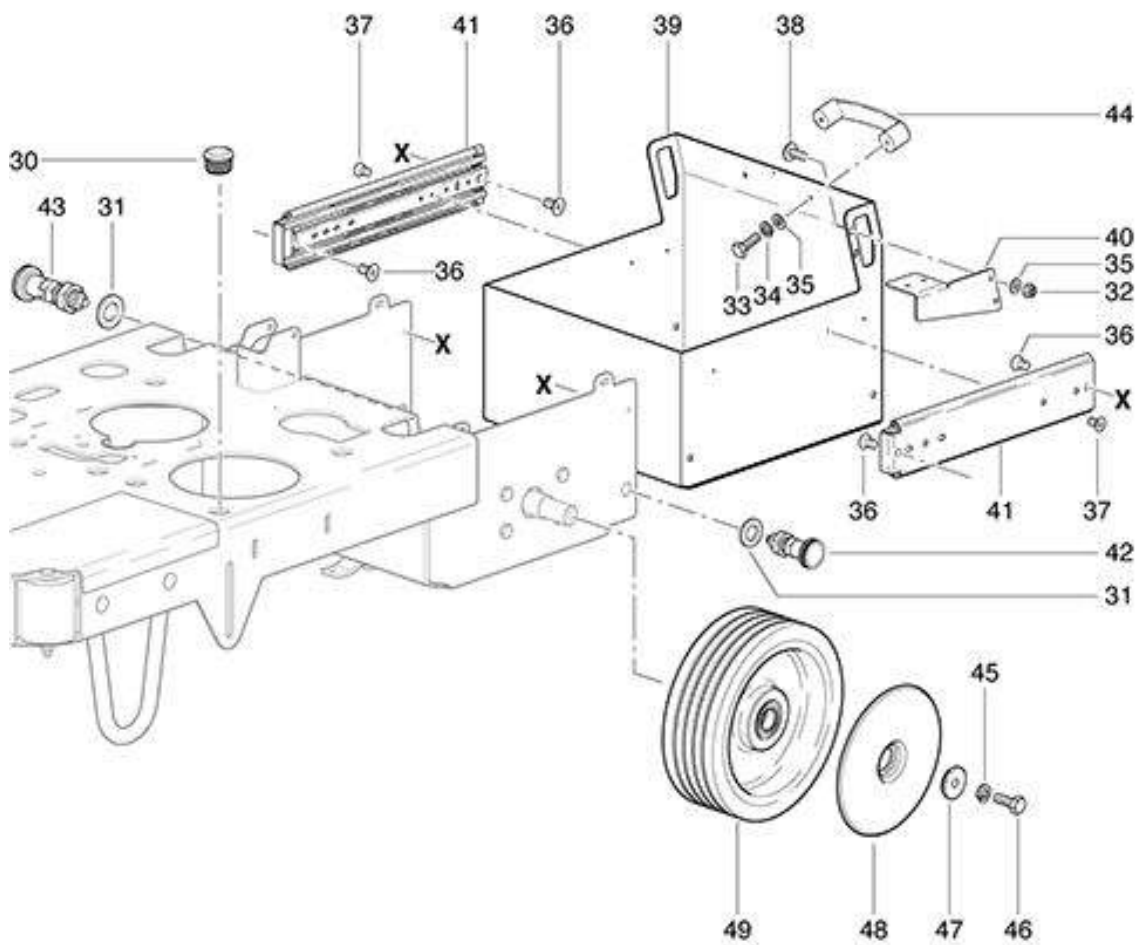
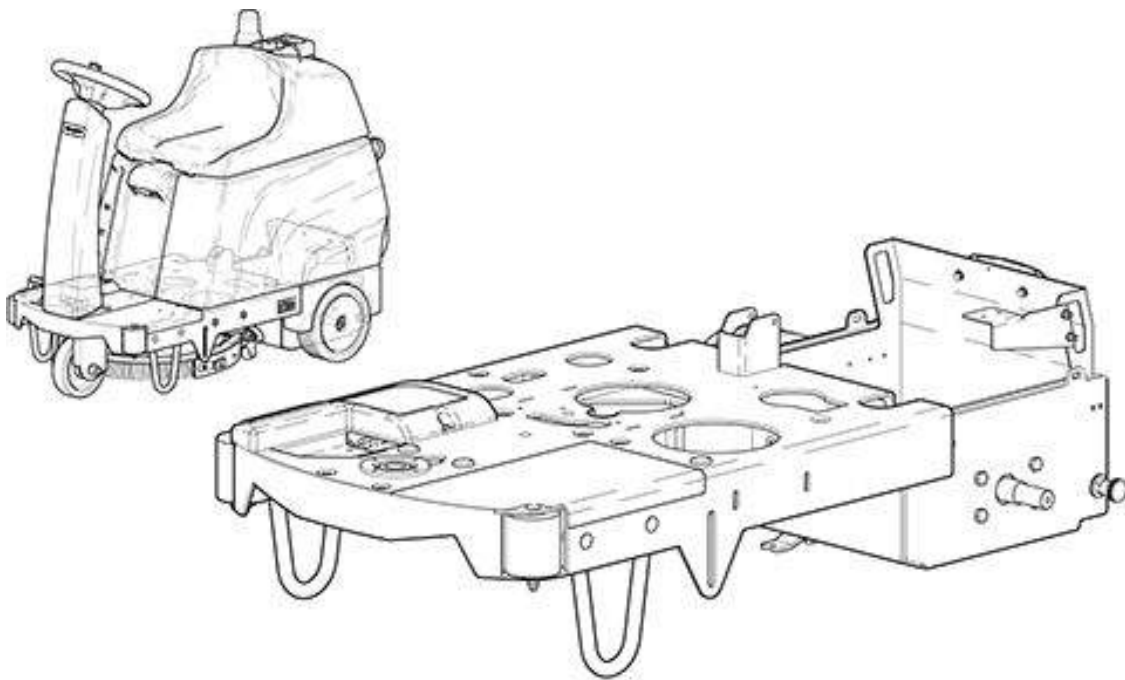
Chassis

As at: 02/03/16 Time:03:46

| Pos. | Description | Reference |
|-------------|--------------------------------------|------------------|
| 01 | Screw M 8x16 DIN 933 | P...471 D |
| 02 | Nut M 10 DIN 982 | P...492 Q |
| 03 | Nut M 8 DIN 982 | P...492 H |
| 04 | Washer Ø8 DIN 125 A | P...496 J |
| 05 | Washer Ø8 DIN 125 A | P...510 B |
| 06 | Washer 10x21 DIN 125 A | P...496 T |
| 07 | Screw M 6x16 DIN 7991 | P...487 W |
| 08 | Screw M 10x25 DIN 933 | P...470 D |
| 09 | Screw M 8x40 DIN 7991 | P...479 V |
| 10 | Screw M 8x110 DIN 603 (UNI 5731) | |
| 11 | Band 58x205x20 | |
| 12 | Screw M 6x12 | |
| 13 | Screw M 8x40 DIN 603 (UNI 5732) | |
| 14 | Screw M 8x16 | |
| 15 | Bearings spacer | 535.708 |
| 16 | Bearing holder sleeve locking flange | 535.709 |
| 17 | Rear wheel support | 535.710 |
| 18 | Steering column bearing | 535.721 |
| 19 | Heel support | 535.711 |
| 20 | Schockproof roll spacer | 535.712 |
| 21 | Heel support anti-slip mat | 535.713 |
| 22 | Anti-overturning tube | 535.714 |
| 23 | Anti-overturning tube | 535.716 |
| 24 | Squeegee avtuator wishbone guide | 535.724 |
| 25 | Squeegee stop | |
| 26 | Left anti-slip mat | 535.718 |
| 27 | Side blumper | 535.715 |
| 28 | Schockproof roll | 535.719 |
| 29 | Chassis | |

RA 535 IBCT
Chassis - a

As at: 02/03/16 Time:03:46



RA 535 IBCT

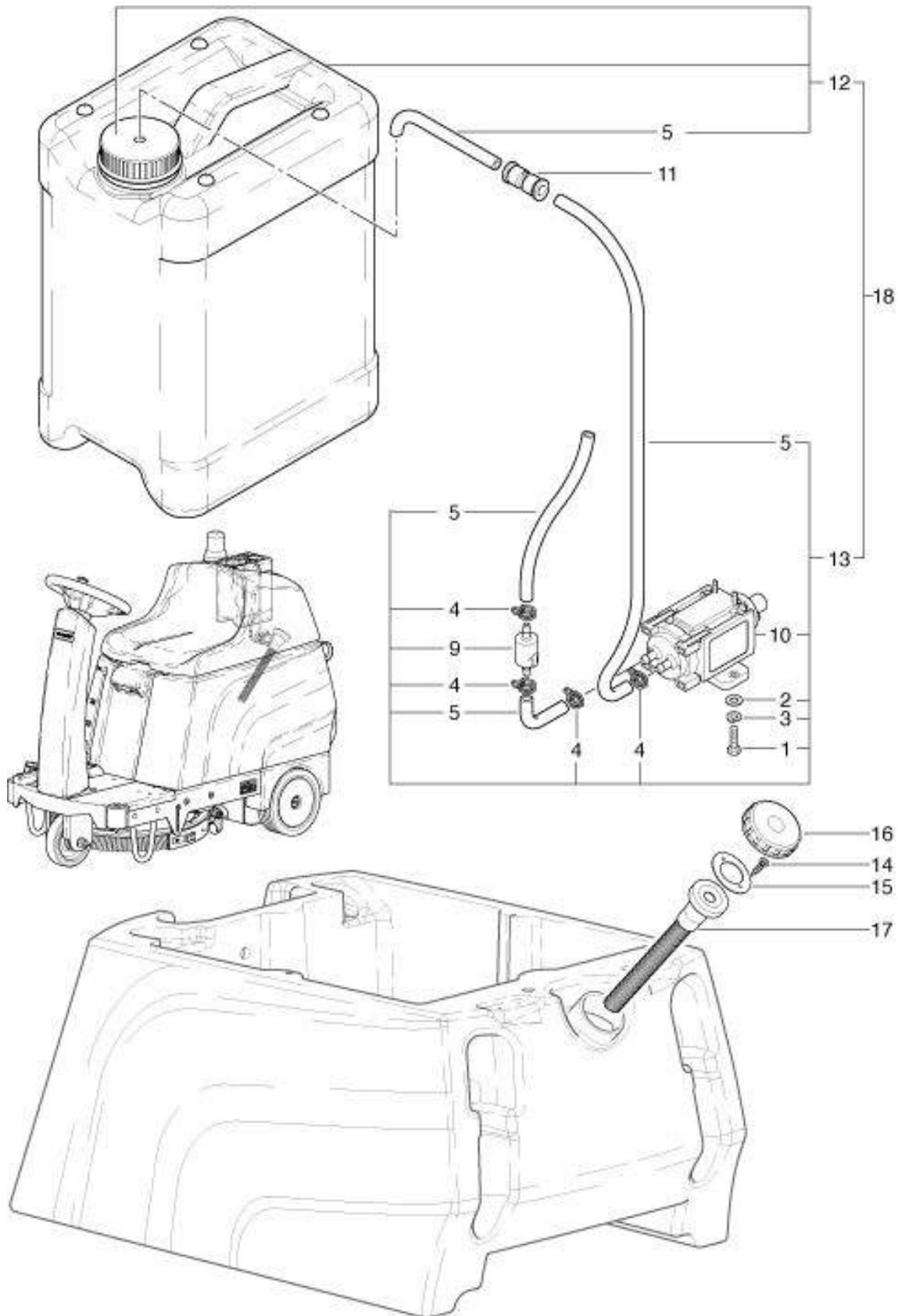
Chassis - a

As at: 02/03/16 Time:03:46

| Pos. | Description | Reference |
|-------------|--|------------------|
| 30 | Hole plug Ø 26 | |
| 31 | Washer M 16x30 DIN 433 | P...500 R |
| 32 | Nut M 6 DIN 982 | P...492 K |
| 33 | Screw M 6x16 DIN 933 | P...471 D |
| 34 | Washer M 6 DIN 127 | |
| 35 | Washer 6x12 DIN 125 | P...497 K |
| 36 | Screw M 6x10 DIN 7991 | P...480 K |
| 37 | Screw M 4x6 DIN 7991 | P...480 N |
| 38 | Screw M 6x16 | |
| 39 | Batterie box | 535.707 |
| 40 | Battery connector support | 535.717 |
| 41 | Double guide for battery box | 535.720 |
| 42 | Piston for the positioning of the battery box, with lock | 535.722 |
| 43 | Piston for the positioning of the battery box, with lock | 535.723 |
| 44 | Handle black L 144 H39 PA | |
| 45 | Spring washer M8 8,1/14,8/2 DIN 127B | P...498 N |
| 46 | Screw M 8x16 DIN 933 | P...471 D |
| 47 | Rear wheel spacer | 535.502 |
| 48 | Rear wheel cover | |
| 49 | Rear wheel | 535.501 |

RA 535 IBCT
Detergent system Optional

As at: 02/03/16 Time:03:46



RA 535 IBCT

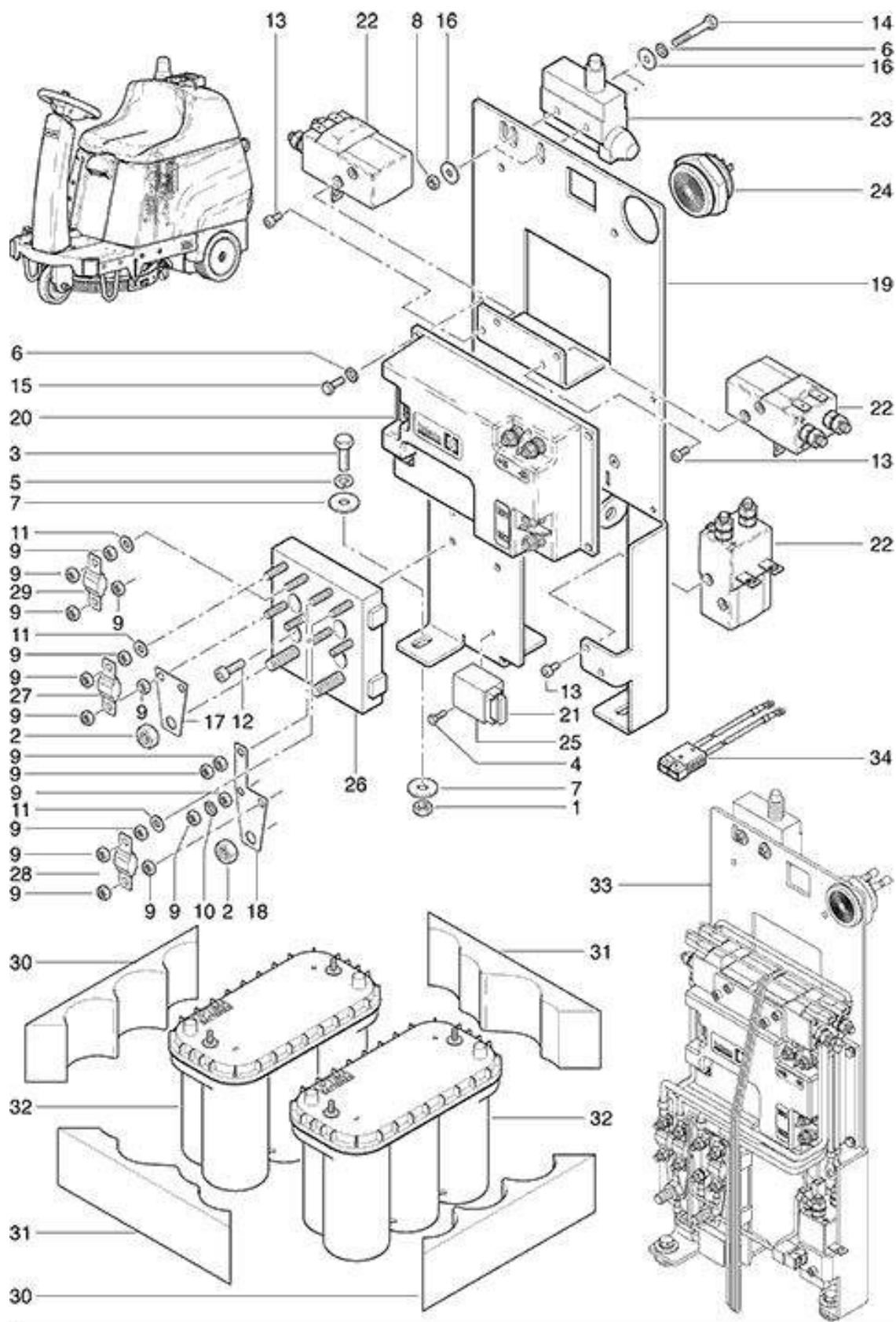
Detergent system Optional

As at: 02/03/16 Time:03:46

| Pos. | Description | Reference |
|-------------|---|------------------|
| 01 | Screw M 3x12 DIN 933 | P...475 B |
| 02 | Washer M 3 DIN 433 | P...497 Y |
| 03 | Washer M 3 DIN 127 B | P...499 A |
| 04 | Bifilar band | 535.104 |
| 05 | Silicone hose Ø 7/4, Meterware | 535.109 |
| 09 | Detergent system unidirectional valve | 535.103 |
| 10 | Membrane pump | 535.101 |
| 11 | Connection piece QSM | 565.435 |
| 12 | Canister | 535.105 |
| 13 | Chemical dosing pump kit | 535.102 |
| 14 | Screw 2,9x9,5 DIN 7982 | |
| 15 | Filling hose holder | 535.111 |
| 16 | Tank cap | 535.812 |
| 17 | Filling hose | 535.110 |
| 18 | Chemical dosing cpl. including installation | 535.100 |

RA 535 IBCT
Electrical System

As at: 02/03/16 Time:03:46



RA 535 IBCT

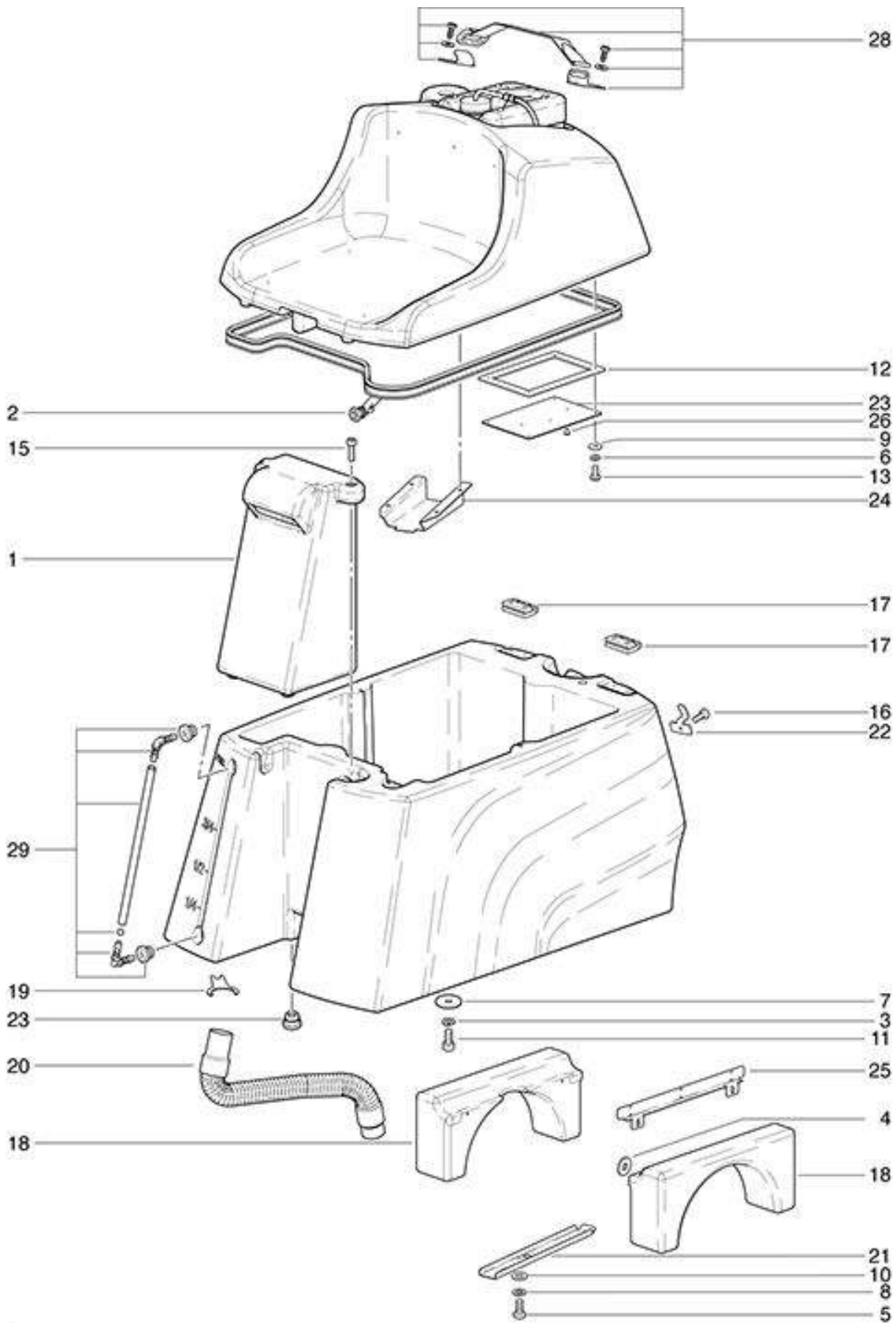
Electrical System

As at: 02/03/16 Time:03:46

| Pos. | Description | Reference |
|-------------|---|------------------|
| 01 | Nut M 6 DIN 934 | P...490 D |
| 02 | Nut DIN 934 M8 | P...490 E |
| 03 | Screw M 6x20 DIN 933 | P...470 X |
| 04 | Screw M 3x10 DIN 933 | P...487 Y |
| 05 | Washer M 6 DIN 127 | P...498 U |
| 06 | Washer M 4 DIN 6798 A | P...500 E |
| 07 | Washer M6 6,4/18/1,6 DIN 9021 | P...496 L |
| 08 | Nut M 4 DIN 934 | P...490 B |
| 09 | Nut M 5 DIN 934 | P...490 C |
| 10 | Washer M 5 DIN 6798 A | P...498 D |
| 11 | Washer M 5 DIN 125 A | P...497 Q |
| 12 | Screw M 5x16 DIN 912 | P...486 I |
| 13 | Screw M 4x8 DIN 912 | P...488 D |
| 14 | Screw M 4x30 DIN 931 | P...475 W |
| 15 | Screw M 4x12 DIN 933 | P...486 A |
| 16 | Washer M 4x12 DIN 9021 | P...496 C |
| 17 | Fuse holder bridge | 535.627 |
| 18 | Fuse holder bridge | 535.628 |
| 19 | Electrical components plate | 535.629 |
| 20 | Traction electronic board | 535.643 |
| 21 | Lamellar fuse | 535.638 |
| 22 | ETL 10P contactor | 535.634 |
| 23 | Seat microswitch until the machine number 93310249 | 535.635 |
| 23 | Seat microswitch ab Masch. Nr. 93360254 | 535.648 |
| 24 | Buzzer | 535.633 |
| 25 | Bayonet fuseholder | 535.637 |
| 26 | Double fuseholder | 535.636 |
| 27 | 30A Lamellar fuse | 535.639 |
| 28 | 40A Lamellar fuse | 535.640 |
| 29 | 100A lamellar fuse | 535.641 |
| 30 | Battery box panel | 535.827 |
| 31 | Battery box panel | 535.828 |
| 32 | 2 Gel Battery 12V/105Ah | 530.091 |
| 33 | Electronics cpl. available including wiring harness, on request | 535.632 |
| 34 | Battery cable 120 cm | 535.839 |

RA 535 IBCT
Housing Group - Tank

As at: 02/03/16 Time:03:46



RA 535 IBCT

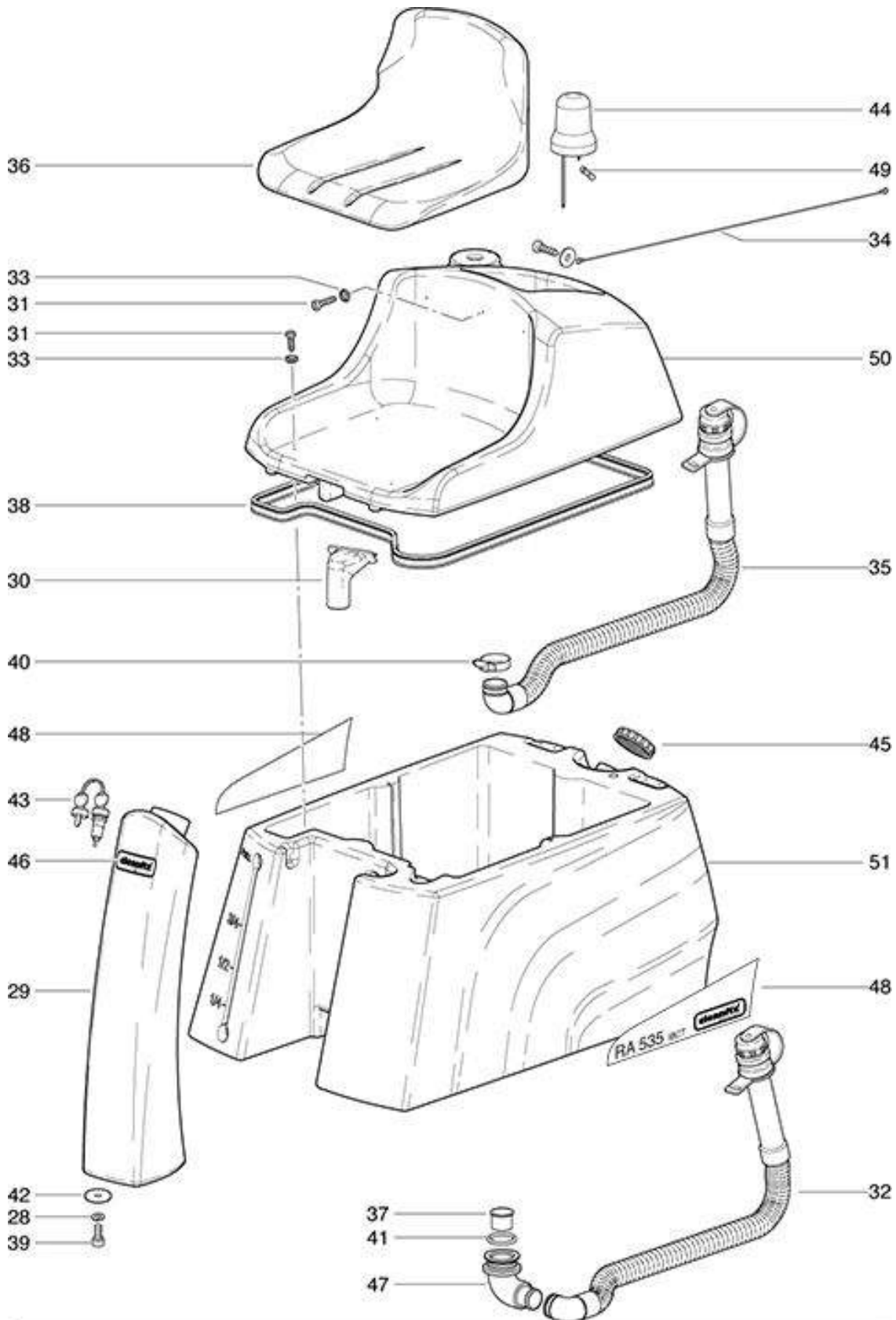
Housing Group - Tank

As at: 02/03/16 Time:03:46

| Pos. | Description | Reference |
|-------------|---------------------------------|------------------|
| 01 | Electrical components box | 535.805 |
| 02 | Level sensor | 535.811 |
| 03 | Washer M10 DIN 127 B | P...498 E |
| 04 | Washer 6x18 DIN 9021 | P...496 C |
| 05 | Screw M 5x16 DIN 933 | P...470 I |
| 06 | Washer M4 DIN 127 B | P...500 E |
| 07 | Washer 10x40 DIN 9021 | |
| 08 | Washer M5 DIN 127 B | |
| 09 | Washer M4 DIN 125 A | P...496 C |
| 10 | Washer M5 DIN 125 A | P...497 Q |
| 11 | Screw M 10x16 DIN 933 | P... 472 W |
| 12 | Detergent pump cover seal | 535.806 |
| 13 | Screw DIN 7985 M4 x 10 A2 | P...481M |
| 14 | Screw DIN 7981 5,5 x 25 A2 | P483J |
| 15 | Screw M 6x40 DIN 912 | P...486 Y |
| 16 | Screw M 5x10 DIN 7985 | P...481 Z |
| 17 | Seat hinge | 535.808A |
| 17 | Seat hinge | 535.808 |
| 18 | Rear fender | 535.823 |
| 19 | \r\n | 535.829 |
| 20 | Suction hose | 535.803 |
| 21 | Protection for silicone hose | 535.819 |
| 22 | Tube support plate | 535.817 |
| 23 | Detergent tank fixing plate | 535.816 |
| 24 | Anti-splash flange | 535.820 |
| 25 | Anti-splash flange | 535.804 |
| 26 | Hole plug Ø5 | |
| 27 | Rubber seal output water tank | 535.756 |
| 28 | Safety strap for canister assy. | 535.106 |
| 29 | Level indicator complete | 535.835 |

RA 535 IBCT
Housing Group - Tank - a

As at: 02/03/16 Time:03:47



RA 535 IBCT

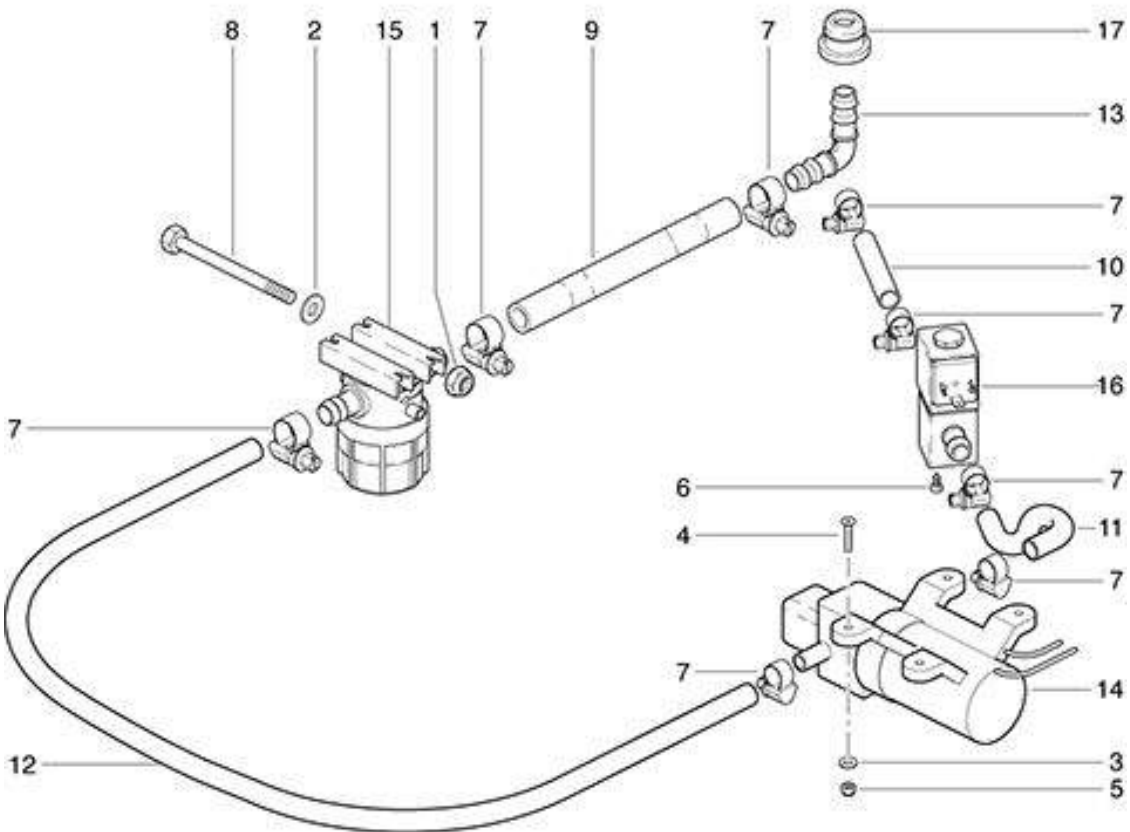
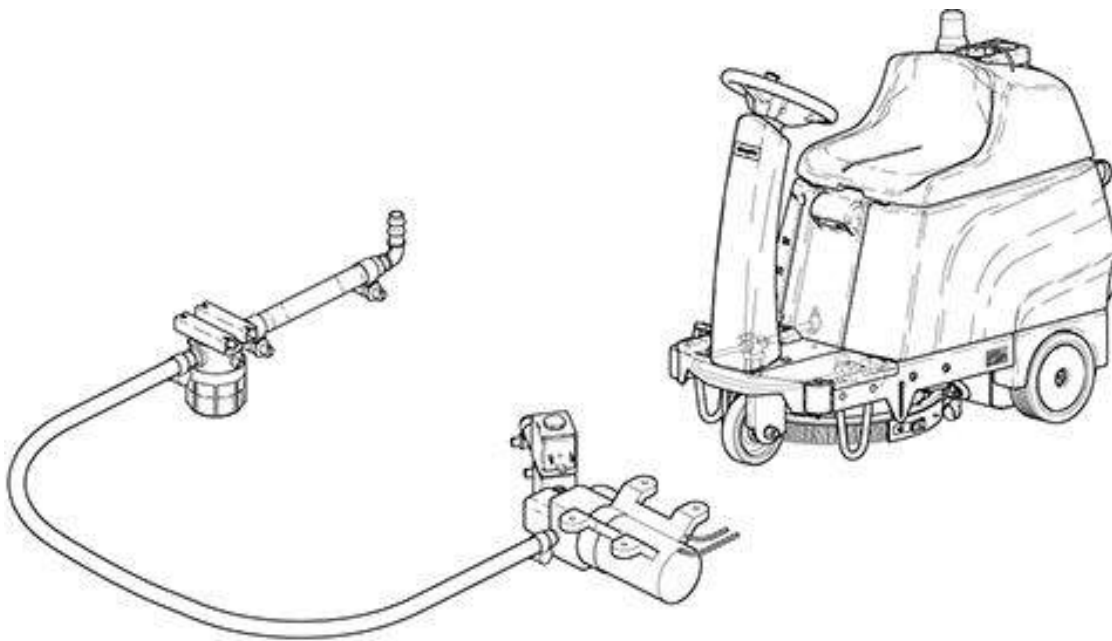
Housing Group - Tank - a

As at: 02/03/16 Time:03:47

| Pos. | Description | Reference |
|-------------|---------------------------------------|------------------|
| 28 | Washer M8 DIN 127 B | P...498 N |
| 29 | Steering column red | 535.838 |
| 30 | Anti-splash union pipe | 535.822 |
| 31 | Screw KA 30x14 | P...516 S |
| 32 | Dirty water drain tube | 535.815 |
| 33 | Female fastener snap | |
| 34 | Tank cover locking cord | 535.824 |
| 35 | Clean water drain tube | 535.802 |
| 36 | Seat Cleanfix | 535.818 |
| 37 | Tank union pipe bush | 535.814 |
| 38 | Tank seal | 535.807 |
| 39 | Screw M 8x16 DIN 912 | P...486 |
| 40 | Hose clamp 32-50 | |
| 41 | Tank union pipe OR 0433 | 535.813 |
| 42 | Washer 8x32 DIN 9021 | P...498 PA |
| 43 | Ignition key | 535.809 |
| 44 | Beacon light 1 10+120 VCC | 535.112 |
| 45 | Tank cap | 535.812 |
| 46 | Steering column sticker | |
| 47 | Union pipe the dirty water drain tube | 535.810 |
| 48 | Set rear sticker left and right tank | 535.455 |
| 49 | Fuse F2AL, 250V | P...363 E |
| 50 | Seat red | 535.837 |
| 51 | Tank red | 535.836 |

RA 535 IBCT
Solution system (DISC)

As at: 02/03/16 Time:03:47



RA 535 IBCT

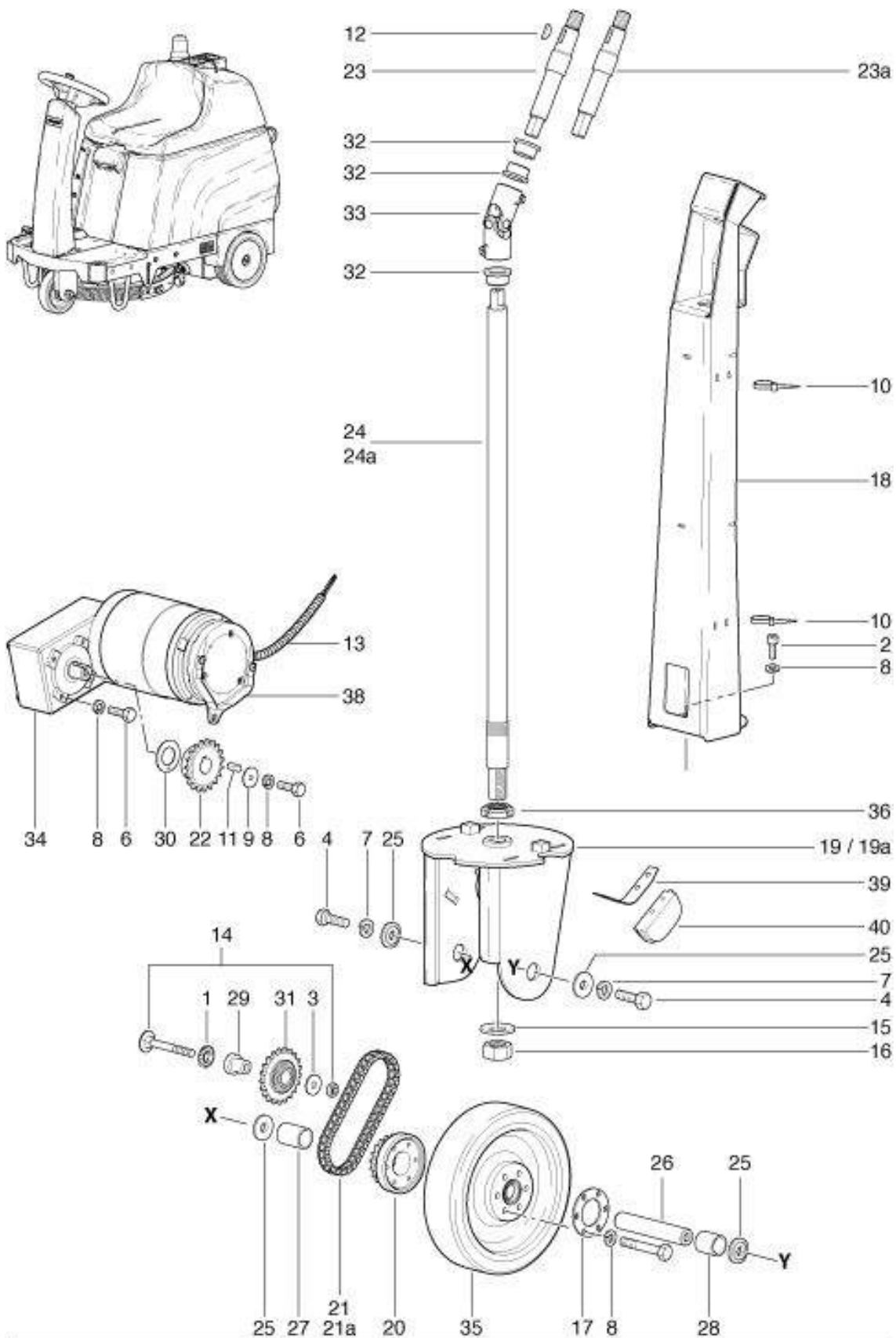
Solution system (DISC)

As at: 02/03/16 Time:03:47

| Pos. | Description | Reference |
|-------------|--|------------------|
| 01 | Nut M 6 DIN 985 | P...493 K |
| 02 | Washer 6x18 DIN 9021 | P...496 L |
| 03 | Washer M 4 DIN 433 | P...496 C |
| 04 | Screw M 4x20 DIN 7991 | P...481 A |
| 05 | Nut M 4 DIN 985 | P...492 E |
| 06 | Screw M 3,9x6,5 DIN 7981 | |
| 07 | Hose clamp 8-16 | |
| 08 | Screw M 6x75 DIN 931 | |
| 09 | Waterpatterned transparent hose Ø12 L=0,160MT | 535.728 |
| 10 | Waterpatterned transparent hose Ø 10 L=0,72MT | |
| 11 | Waterpatterned transparent hose Ø 10 L=0,250MT | 535.729 |
| 12 | Waterpatterned transparent hose Ø 10 L=0,850MT | 535.730 |
| 13 | Elbow Ø10-15 L=42 mm | 535.731 |
| 14 | Water pump 24V | 535.732 |
| 15 | Water filter Valve | 535.735 |
| 16 | Separating solenoid 24VDC Ø8 mm | 535.528 |
| 17 | Rubber seal output water tank | 535.756 |

RA 535 IBCT
Steering column - Front

As at: 02/03/16 Time:03:47



RA 535 IBCT

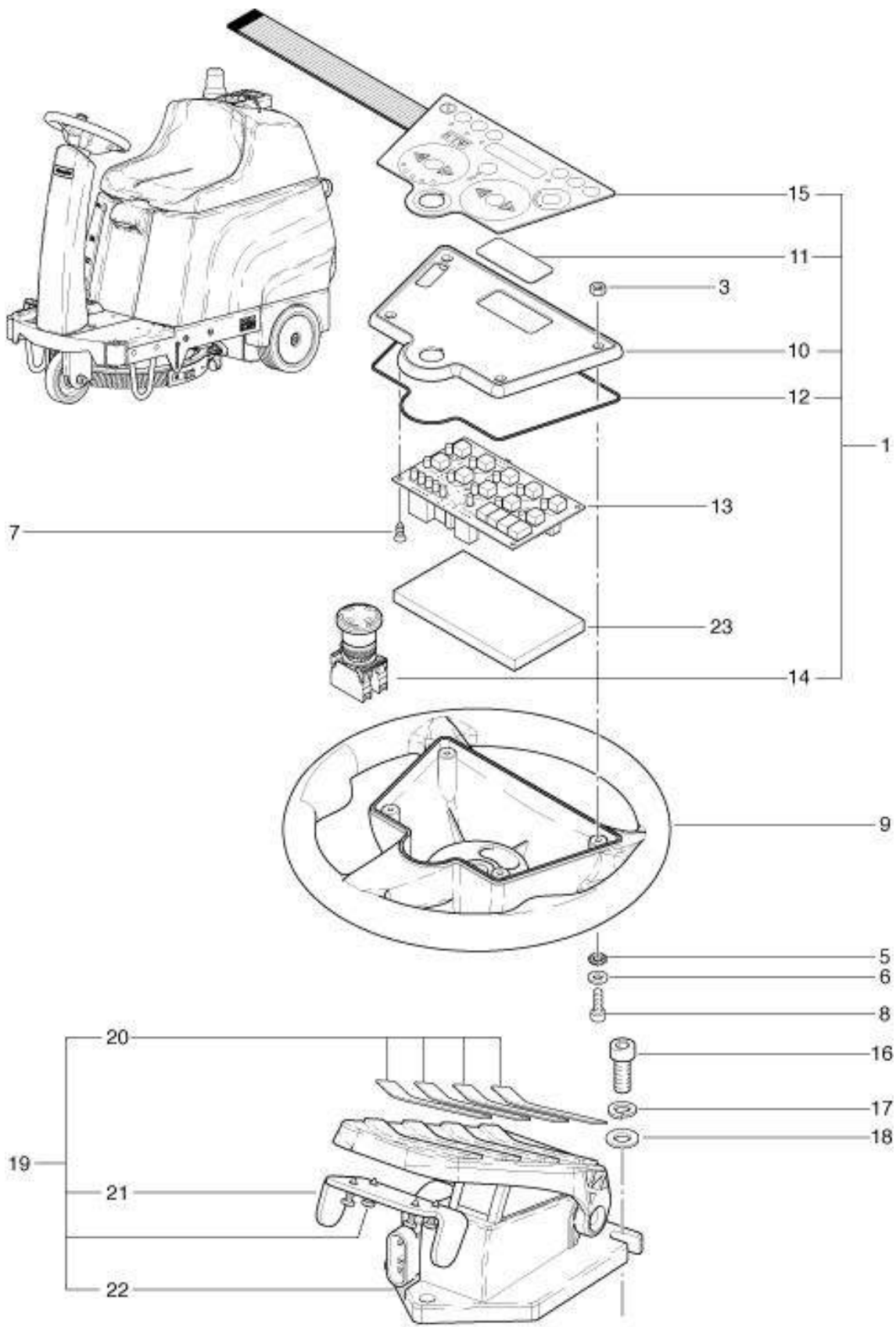
Steering column - Front

As at: 02/03/16 Time:03:47

| Pos. | Description | Reference |
|------|--|------------|
| 01 | Washer M 12 DIN 6798 A | P498S |
| 02 | Screw M 6x40 DIN 912 | |
| 03 | Washer M 8x24 DIN 9021 | P...496 Q |
| 04 | Screw M 10x30 DIN 933 | P... 470 D |
| 06 | Screw M 6x16 DIN 933 | P...470 T |
| 07 | Washer M 10 DIN 127 | P...498 E |
| 08 | Ring M 6 DIN 127 | P...498 U |
| 09 | Washer 6x12 DIN 125 | P...497 K |
| 10 | Cable Ties | P...410 |
| 11 | Key 6X6X20 DIN 6885 | P319L |
| 12 | \r\n | 535.757 |
| 13 | Protective hose for cable 58cm\r\n | 535.763 |
| 14 | Screw M 8x40 DIN 603, incl. nut M8 | 535.755 |
| 15 | distance holder | 535.737 |
| 16 | Nut M 24 DIN 982 | P491A |
| 17 | Drive wheel special washer | 535.738 |
| 18 | Steering column support | 535.739 |
| 19 | Front wheel support up to machine no. 92460144 | 535.746 |
| 19a | Front wheel support as from mach. no. 92460145 | 535.746 a |
| 20 | Drive wheel pinion | 535.740 |
| 21 | Traction chain | 535.744 |
| 21a | Traction chain to 535.010 | 535.744 A |
| 22 | Drive motor pinion | 535.745 |
| 23 | Steering wheel pin up to machine no. 92460144 | 535.743 |
| 23a | Steering wheel pin as from machine no. 92460145 | 535.743 a |
| 24 | Steering column shaft up to machine no. 92460144 | 535.736 |
| 24a | Steering column shaft as from machine no. 92460145 | 535.736 a |
| 25 | Disc wheel drive shaft | 535.753 |
| 26 | Front wheel shaft | 535.754 |
| 27 | spacer\r\n | 535.741 |
| 28 | Spacer | 535.742 |
| 29 | Chain tensioner spacer | 535.747 |
| 30 | Auto-lubricating thrust washer | 535.748 |
| 31 | Chain tensioner pin with bearings | 535.751 |
| 32 | Auto-lubricating bearing for steering wheel pin | 535.750 |
| 33 | Steering cardan | 535.749 |
| 34 | Drive motor with electromagnetic brake | 535.752 |
| 35 | Front wheel yellow | 535.250 |
| 35 | Front wheel 200x50 (old Version, Grey Profil) | 535.230 |
| 36 | Nut M 25x15 | 535.801 |
| 38 | magnetic brake | 535.758 |
| 39 | Spring | 535.762 |
| 40 | Tensioner | 535.761 |

RA 535 IBCT
Steering column - Group

As at: 02/03/16 Time:03:47



RA 535 IBCT

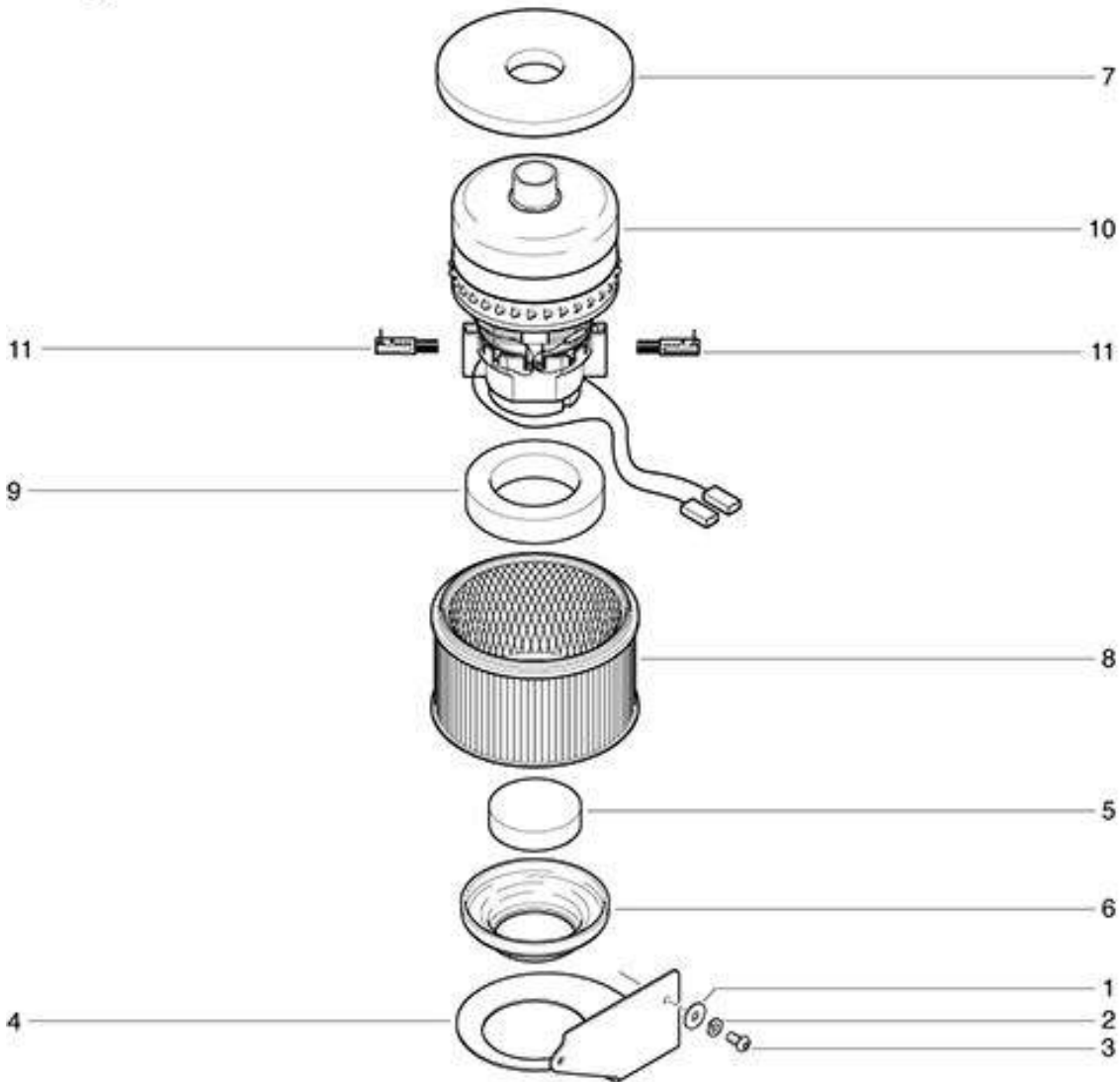
Steering column - Group

As at: 02/03/16 Time:03:47

| Pos. | Description | Reference |
|-------------|---------------------------------------|------------------|
| 01 | Steering wheel electronics kit | 535.626 |
| 03 | Nut DIN 934 M5 | P...490C |
| 05 | Washer M 5 DIN 6798 A | P...498 D |
| 06 | Washer M 5 DIN 433 | P...496 G |
| 07 | Screw M 3,5x9,5 DIN 7982 | |
| 08 | Screw M 5x16 DIN 912 | P...486 I |
| 09 | Steering wheel | 535.621 |
| 10 | Steering wheel cover | 535.623 |
| 11 | Electrical insulation glass for board | 535.650 |
| 12 | Or rubber cord Ø1,78 L=0,655 MT | 535.622 |
| 13 | Electronic board | 535.624 |
| 14 | Emergency button | 535.642 |
| 15 | Membrane keyboard | 535.625 |
| 16 | Screw M 8x20 DIN 912 | P...487 B |
| 17 | Washer M 8 DIN 127 B | P...496 J |
| 18 | Screw M 3,5x13 DIN 7982 | P...496 N |
| 19 | Accelerator pedal compl. | 535.113 |
| 20 | Anti-slip profiles Accelerator | 535.764 |
| 21 | Linit pedal | 535.727 |
| 22 | Accelerator pedal | 535.725 |
| 23 | Covering - Control | 535.647 |

RA 535 IBCT
Suction group

As at: 02/03/16 Time:03:47



RA 535 IBCT

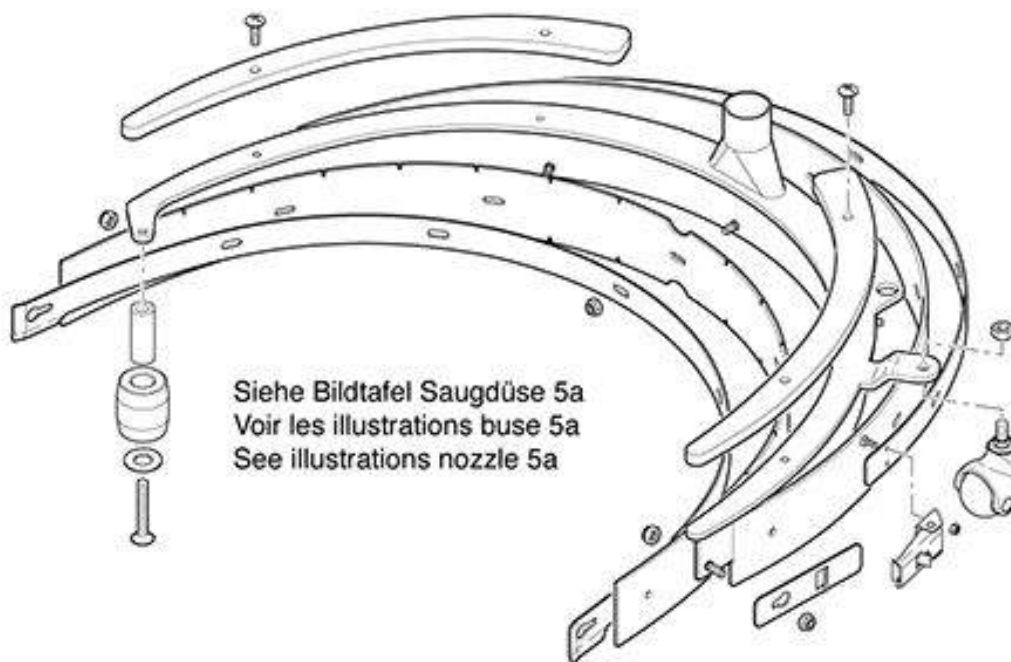
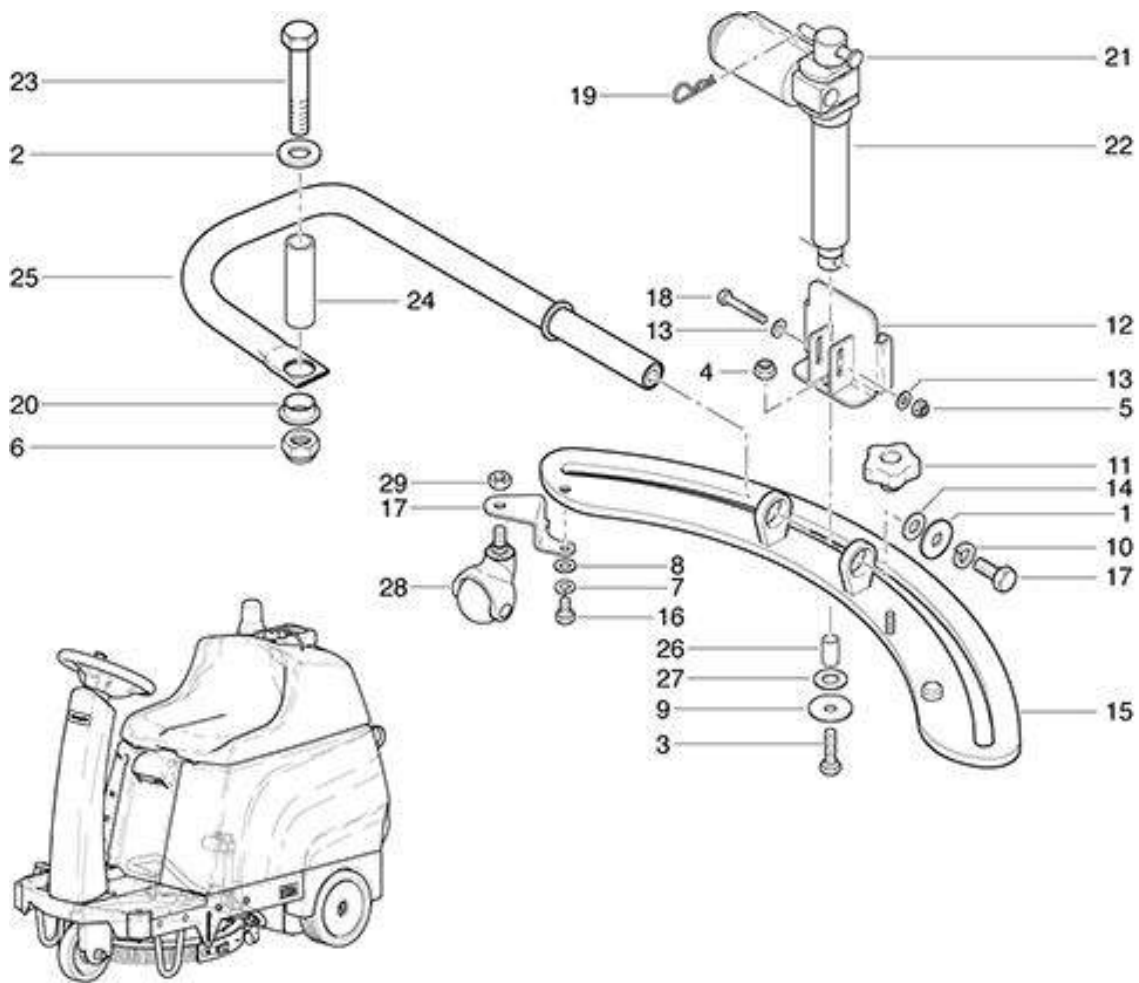
Suction group

As at: 02/03/16 Time:03:47

| Pos. | Description | Reference |
|-------------|--------------------------------------|------------------|
| 01 | Washer M 8x24 DIN 9021 | P...496 Q |
| 02 | Spring washer DIN 127B M8 8,1/14,8/2 | P...498 N |
| 03 | Screw M 8x16 DIN 7380 | P...486 |
| 04 | Suction motor support | 535.706 |
| 05 | Suction motor bottom filter | 535.702 |
| 06 | Suction motor bottom | 535.701 |
| 07 | Suction motor upper seal | 535.704 |
| 08 | Polyester filter cartridge | 535.440 |
| 09 | Suction motor lower acoustic seal | 535.705 |
| 10 | Suction motor | 535.703 |
| 11 | Charbon | |

RA 535 IBCT
Suction nozzle

As at: 02/03/16 Time:03:48



RA 535 IBCT

Suction nozzle

As at: 02/03/16 Time:03:48

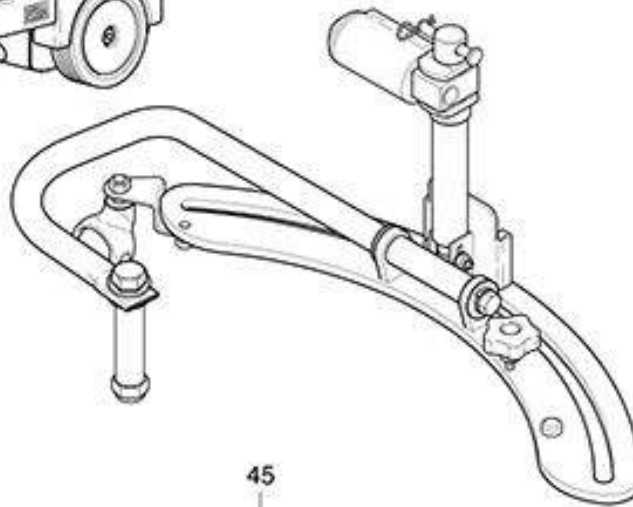
| Pos. | Description | Reference |
|-------------|---|------------------|
| 01 | Washer DIN 9021 M10 10,5/30/2,5 | P...496 S |
| 02 | Washer Ø 14 DIN 125 A | P...496 Y |
| 03 | Screw M8 x 30 A2 DIN 933 | P...473 G |
| 04 | Nut M 8 DIN 982 | P...492 H |
| 05 | Nut DIN 985 M6 A2 | P...492 K |
| 06 | Nut DIN 985 M 14 | |
| 07 | Washer M 8 DIN 127 | P...498 N |
| 08 | Washer Ø 8 DIN 433 | P...496 P |
| 09 | Washer 8x32 DIN 9021 | P...500 N |
| 10 | Washer M 10 DIN 127 | P...498 E |
| 11 | Lobe knob | 535.611 |
| 12 | Squeegee actuateur suceur | 535.613 |
| 13 | Washer 6x12 DIN 125 | P...497 K |
| 14 | Washer 10x21 DIN 125 | P...510 A |
| 15 | Squeegee holder | 535.602 |
| 16 | Screw M 8x12 DIN 933 | P...471 C |
| 17 | Screw M 10x25 DIN 933 | P...470 D |
| 18 | Screw M 6x40 DIN 931 | P...486 Y |
| 19 | Ø 2 Galvanized steel split pin | 535.620 |
| 20 | Squeegee guide autolubricating bearing | 535.604 |
| 21 | Pin B 8x55 ISO 2341 B | |
| 22 | Squeegee lifting Jack | 535.612 |
| 23 | Screw M 14x85 DIN 931 | |
| 24 | Squeegee geude-tube spacer | 535.601 |
| 25 | Squeegee guide-tube | 535.603 |
| 26 | Squeegee actuator wishbone spacer | 535.614 |
| 27 | Squeegee auto-lubricating thrust washer | 535.615 |

RA 535 IBCT
Suction nozzle - a

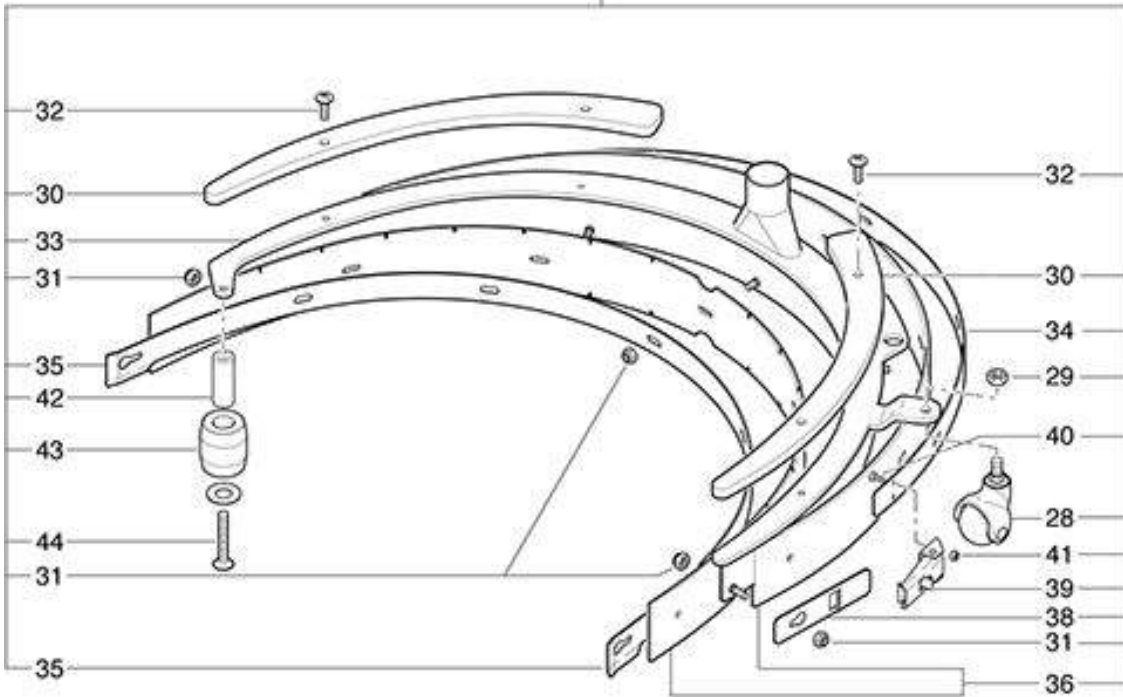
As at: 02/03/16 Time:03:48



Siehe Bildtafel Saugdüse 5
Voir les illustrations buse 5
See illustrations nozzle 5



45



RA 535 IBCT

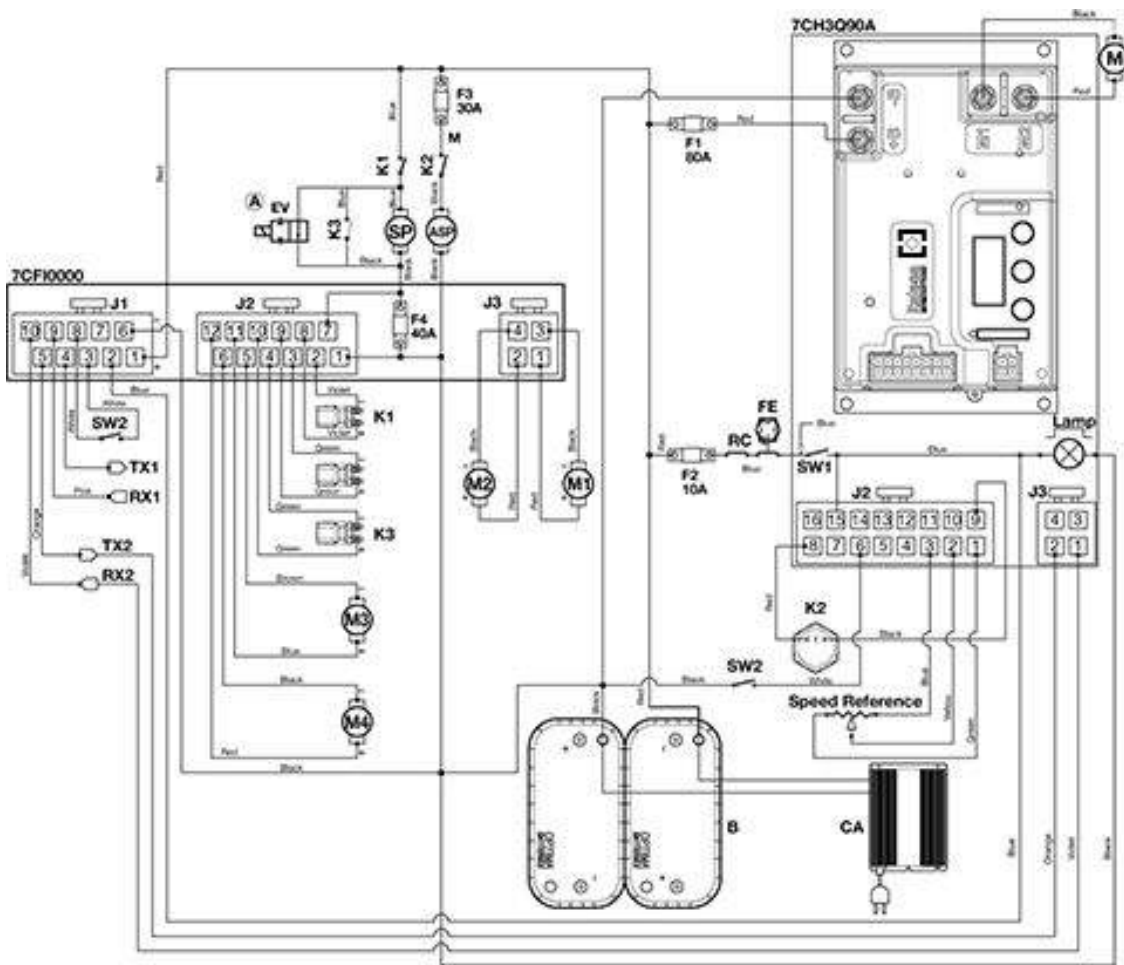
Suction nozzle - a

As at: 02/03/16 Time:03:48

| Pos. | Description | Reference |
|-------------|------------------------------------|------------------|
| 28 | Pivoting wheel | 535.619 |
| 29 | Nut DIN 936 M10 x 1 A4 | P...491 O |
| 30 | Squeegee counterweight | |
| 31 | Nut M 6 DIN 985 | P...493 K |
| 32 | Screw M 6x20 | |
| 33 | Squeegee | 535.605 |
| 34 | Squeegee rear blade support | 535.608 |
| 35 | Squeegee front blade support | 535.607 |
| 36 | Rubber blade standard | 535.083 |
| 38 | Squeegee clip plate | 535.609 |
| 39 | Lever lock | 535.610 |
| 40 | Screw M 4x10 DIN 7985 | P...481 M |
| 41 | Nut M 4 DIN 985 A 2 | P...492 D |
| 42 | Squeegee shockproof roll spacer | 535.617 |
| 43 | Squeegee shockproof roll | 535.616 |
| 44 | Screw M8 x 55 DIN 7991 | P487L |
| 45 | Kit head disco wiper Cleanfix Inox | 535.561 |
| 45 | Kit head disco wiper Cleanfix | 535.560 |

RA 535 IBCT Wiring diagram

As at: 02/03/16 Time:03:48



RA 535 IBCT

Wiring diagram

As at: 02/03/16 Time:03:48

| Pos. | Description | Reference |
|-------------|-------------------------------------|------------------|
| 7CF10 | Functions electronic board | |
| 7CH4Q | Traction electronic board | |
| ASP | Vacuum motor | |
| B | Battery | |
| CA | Battery charger | |
| EV | Solenoid valve | |
| F 1 | Fuse 80A traction | |
| F 2 | Fuse 10A auxiliary | |
| F 3 | Fuse 30A Vacuum | |
| F 4 | Fuse 40A brush | |
| FE | Safety switch | |
| K 1 | Brush contactor NA | |
| K 1 | Brush motor contactor | |
| K 2 | Buzzer | |
| K 2 | Vacuum contactor NA | |
| K 2 | Vacuun motor contactor | |
| K 3 | Click-off contactor NA | |
| K 3 | Click-off contactor | |
| LAMP | Beacon | |
| M | Drive motor | |
| M 1 | Brush actuator | |
| M 2 | Squeegee actuator | |
| M 3 | Chemical pump | |
| M 4 | Water pump | |
| RC | Battery charger relay | |
| RX 1 | Serial connection RX traction board | |
| RX 2 | Serial connection RX traction board | |
| SP | Brush motor | |
| SPEED | Drive pedal | |
| SW 1 | Ignition key | |
| SW 2 | Floating ball switch | |
| SW 2 | Seat switch | |
| TX 2 | Serial connection TX traction board | |