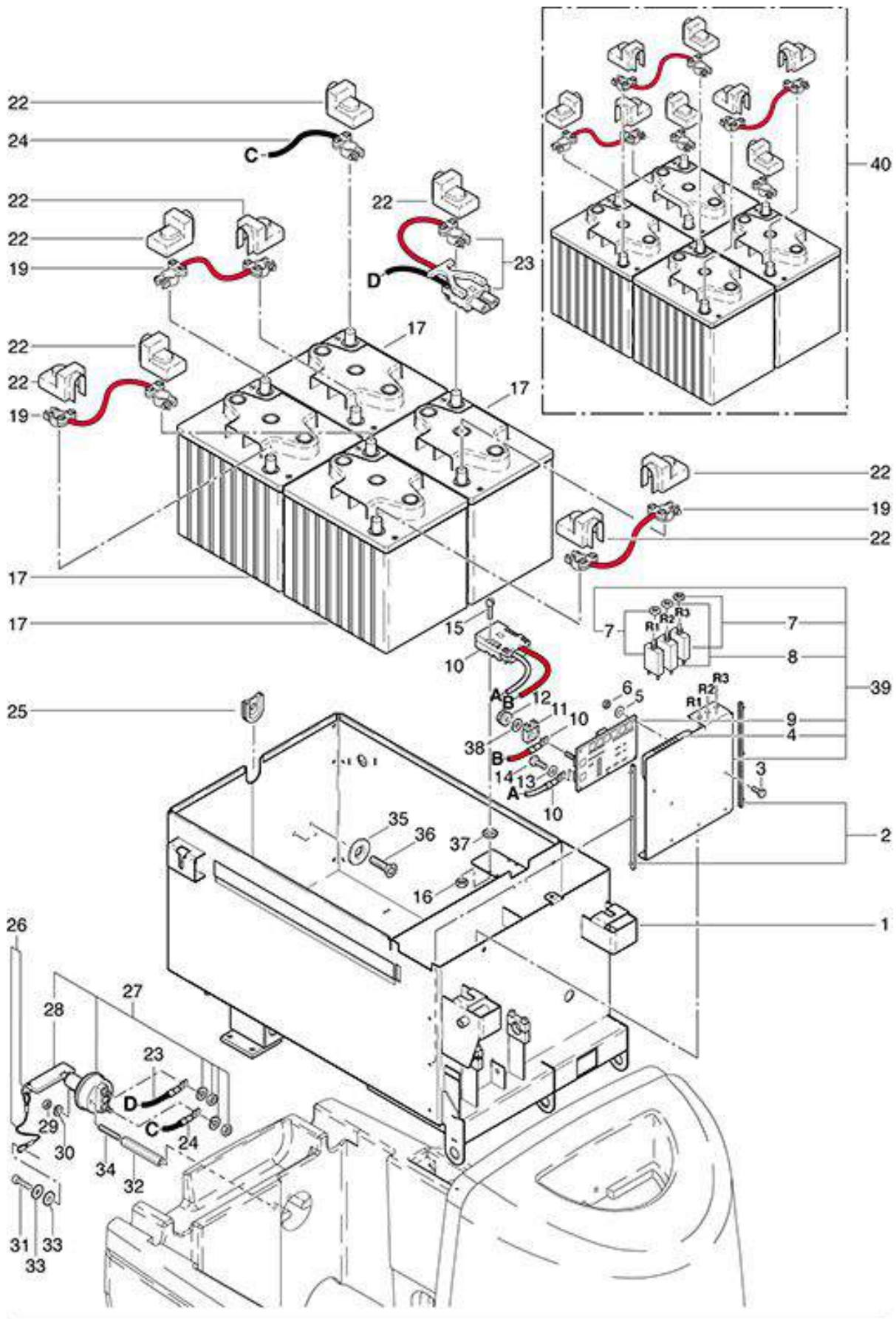


RA 701 B

Batterie assembling as from machine no. 9016/001

As at: 02/03/16 Time:03:41



RA 701 B

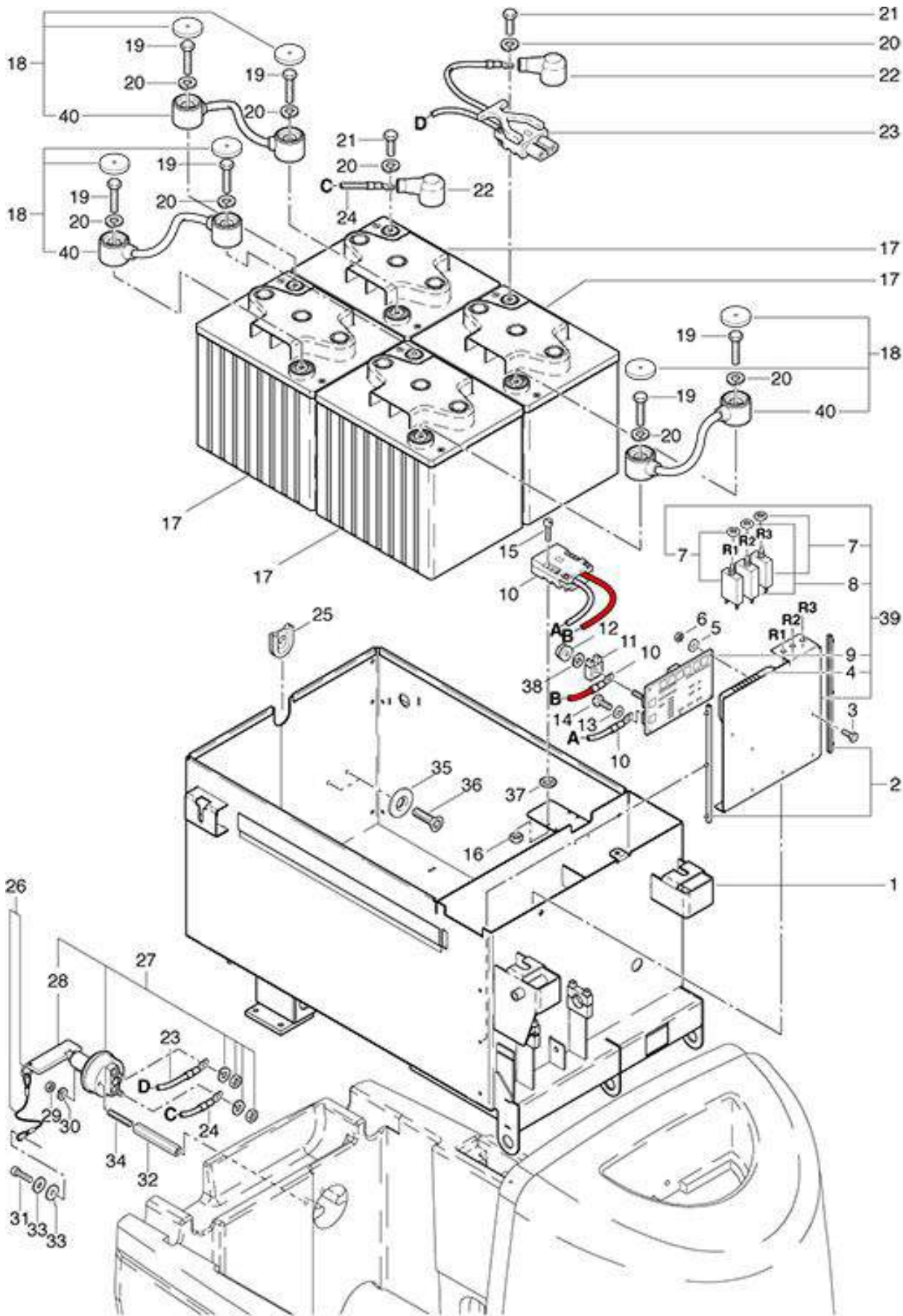
Batterie assembling as from machine no. 9016/001

As at: 02/03/16 Time:03:41

Pos.	Description	Reference
01	Battery container	701.210
02	Guide rail	710.356
03	Hexagon screw M 6x12	P...486 B
04	Control Curtis	701.342
05	Washer	P...497 C
06	Nut M 6	P...491 L
07	Protective switchgear 25 A	470.355
08	Protective switchgear 45 A	470.711
09	Electronic support	701.341 A
10	Cable compl. 80A	701.356
11	Fuse 100 Amp.	710.354
12	Isolation nut M 8	710.353
13	Washer M 5	P...496 H
14	Chees-head screw M 4x8	P...475 H
15	Chees-head screw M 4x25	P...477 H
16	Nut M 4	P...491 H
17	Batterie	701.091
18	Connecting cable set	710.620
19	Battery connecting cable	560.995
22	Pol cover	P...357 D
23	Cable compl. 80A	701.352
24	Wiring black Ø 10 mm	701.351
25	Cable thorough	030.014
26	Packthread	710.612
27	Partition plug for battery compl.	710.611
28	Key	710.613
29	Security nut M 6	P...492
30	Washer M 6	P...498 U
31	Cylindrical screw M 6x12	P...486 Q
32	Distance owner M 6x60	P...484 UA
33	Washer M 6	P...497 K
34	Thread pin I-6kt. M 6x25	P...513 K
35	Washer M 6	P...500 Q
36	Counter sunk srew 6 edge M 6x16	P...487 W
37	Lock washer	P...498 B
38	Washer M 10	P...500 S
39	Electrical NIC unit compl. inclusive pos. 4,7,8+9	701.340
40	Complete set of batteries 6V/180Ah	701.650

RA 701 B
 Batterie assembling up to machine no. 9015/006

As at: 02/03/16 Time:03:41



RA 701 B

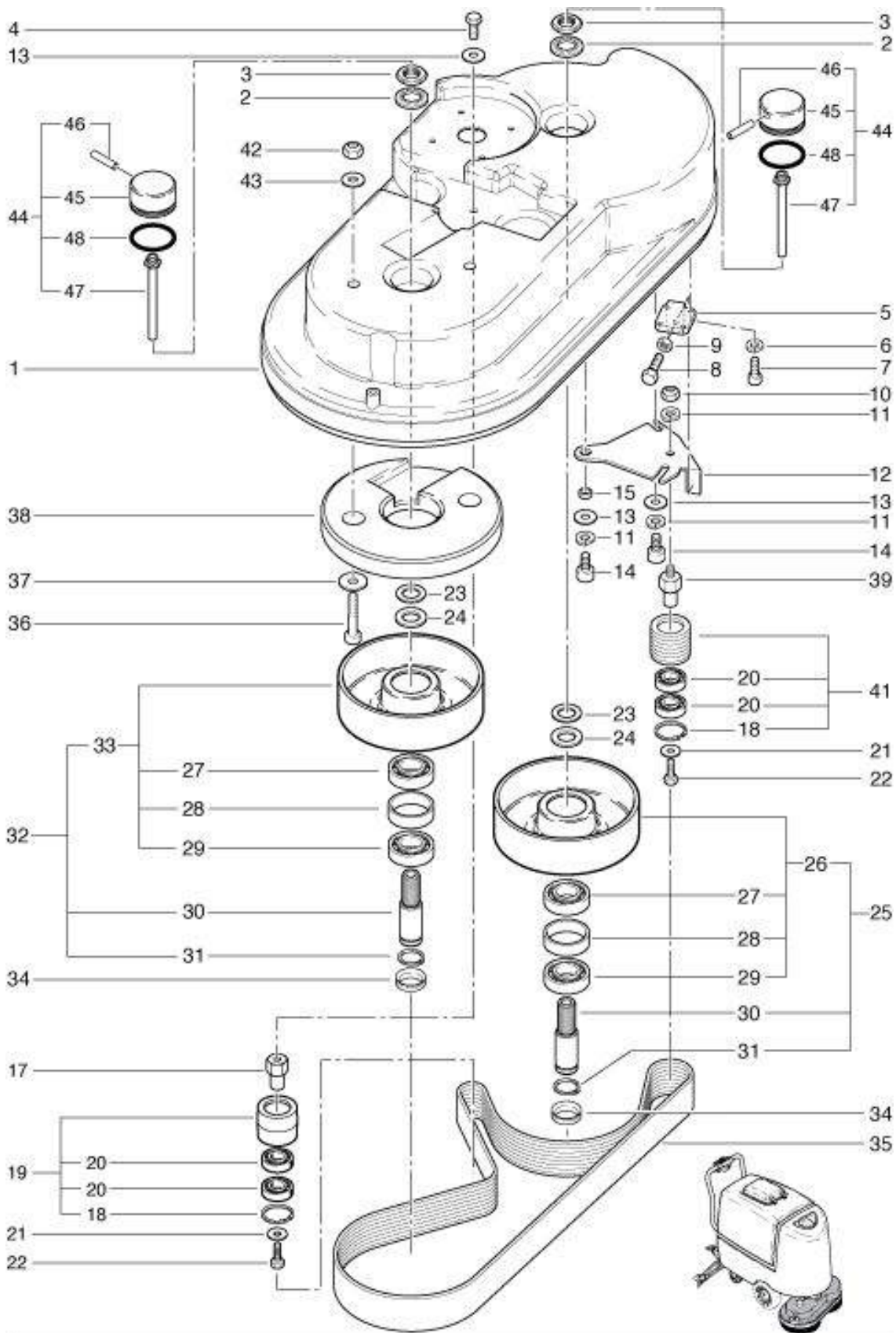
Batterie assembling up to machine no. 9015/006

As at: 02/03/16 Time:03:41

Pos.	Description	Reference
01	Battery container	701.210
02	Guide rail	710.356
03	Hexagon screw M 6x12	P...486 B
04	Control Curtis	701.342
05	Washer	P...497 C
06	Nut M 6	P...491 L
07	Protective switchgear 25 A	470.355
08	Protective switchgear 45 A	470.711
09	Electronic support	701.341 A
10	Cable compl. 80A	701.356
11	Fuse 100 Amp.	710.354
12	Isolation nut M 8	710.353
13	Washer M 5	P...496 H
14	Chees-head screw M 4x25	P...475 H
15	Chees-head screw M 4x25	P...477 H
16	Nut M 4	P...491 H
17	Batterie	710.650
18	Connecting cable set	710.620
19	Hexagon screw M 8x20	P...473 F
20	Washer M 8	P...500 H
21	Hexagon screw M 8x20	P...473 F
22	Protection cap	710.654
23	Cable compl. 80A	701.359
24	Wiring black Ø 16 mm / 430 mm	701.357
25	Cable thorough	030.014
26	Packthread	710.612
27	Partition plug for battery compl.	710.611
28	Key	710.613
29	Security nut M 6	P...492
30	Washer M 6	P...498 U
31	Cylindrical screw M 6x12	P...486 Q
32	Distance owner M 6x60	P...484 UA
33	Washer M 6	P...497 K
34	Thread pin I-6kt. M 6x25	P...513 K
35	Washer M 6	P...500 Q
36	Counter sunk srew 6 edge M 6x16	P...487 W
37	Lock washer	P...498 B
38	Washer M 10	P...500 S
39	Electrical NIC unit compl. inclusive pos. 4,7,8+9	701.340
40	Connecting cable 50 mm2	710.652

RA 701 B
Brush head

As at: 02/03/16 Time:03:41



RA 701 B

Brush head

As at: 02/03/16 Time:03:41

Pos.	Description	Reference
01	Motor housing	710.410
02	spacer washer M 20	P...498 Q
03	Hexagon nut M 20 x 1.5	P...492 R
04	Hexagon screw M 8x16	P...472 V
05	Angle	710.416
06	Washer M4	P...500 E
07	Hexagon screw M 4x20	P...488 C
08	Hexagon screw M 8x25	P...471 F
09	Hexagon nut M 8	P...491 M
10	Security nut M 8	P...492 H
11	Washer M 8	P...498 N
12	support belt tensioning pulley	710.431
13	Washer M 8x20	P...497 T
14	Cylindrical screw M 8x16	P...489 I
15	Distance ring	710.432
17	Bearing pin	710.434
18	Retaining washer	782.603
19	Deflection pulley Items 18+20	710.437
20	Ball bearing	6426442
21	Washer M 6	P...497 H
22	Hexagon screw M 6x16	P...472 R
23	Washer	430.151
24	Washer Ø 20/32x0,7	6230258
25	Belt pulley left compl. including Items 26,30+31	710.420
26	Belt plate left compl. including items 27,28+29	710.421
27	Ball bearing	P...316 P
28	Washer	3611851
29	Ball bearing	P...316 Q
30	Main shaft	742.125
31	Retaining washer	P...513 D
32	Belt pulley right compl. incl. Items 30,31+33	710.423
33	Belt plate right cpl. incl. items 27,28+29	710.422
34	V-profile ring VA 25	P...343 A
35	Poly-V belt	710.417
36	Cylindrical screw M 8x45	P...487 T
37	Washer M 8	P...496 PA
38	Balance lead	710.415
39	Bearing pin	701.434
41	Belt tension pulley compl. incl. Items 18 and 20	800.060
42	Security nut M 8	P...492 H
43	Washer M 8	P...497 T
44	Adapter compl. including items 45-48	701.383
45	Adapter	710.451
46	Small hose for adaptor	710.452

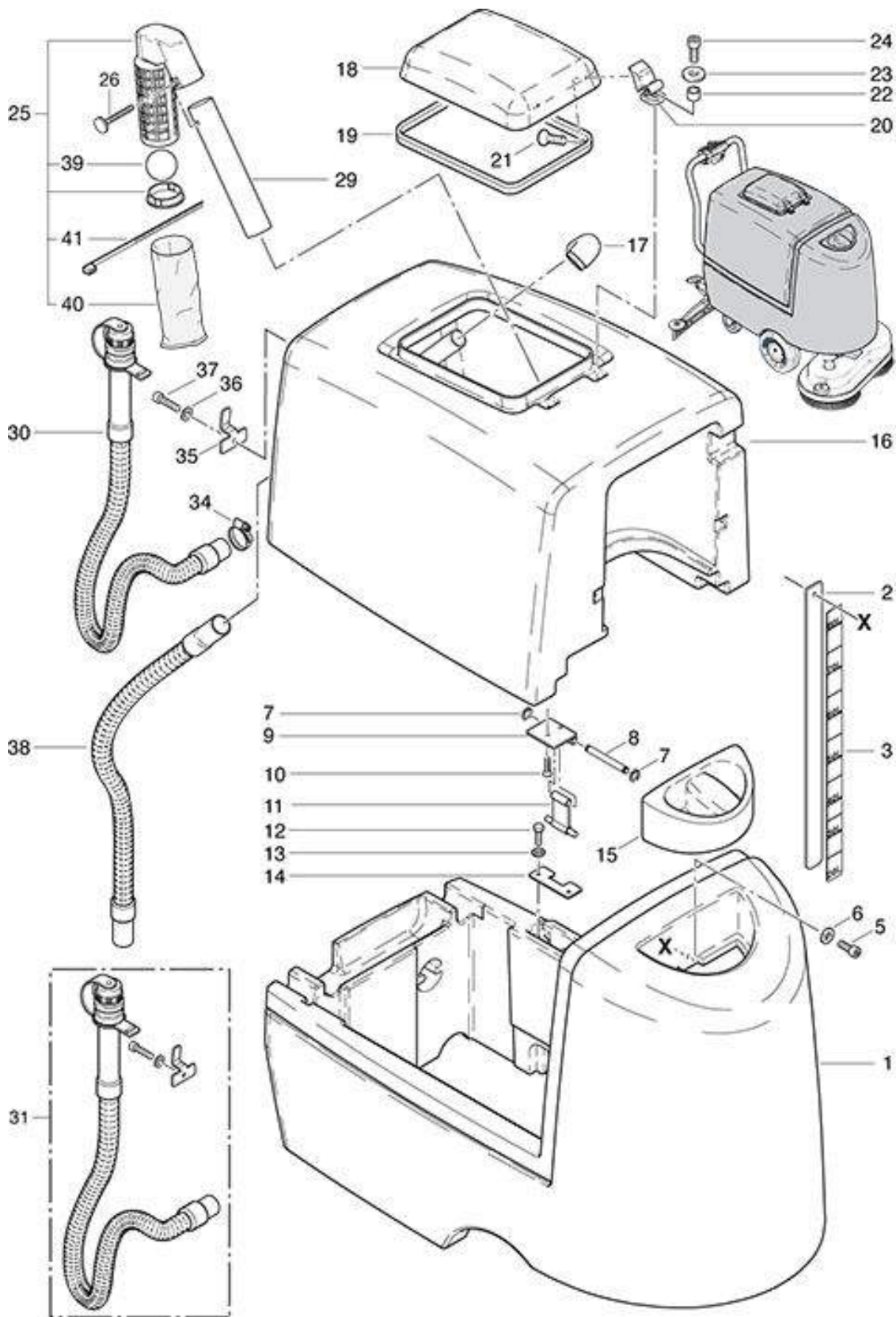
47 Spray tube
48 O-ring

701.452
710.453

RA 701 B

Clean water tank and Waste water tank

As at: 02/03/16 Time:03:41



RA 701 B

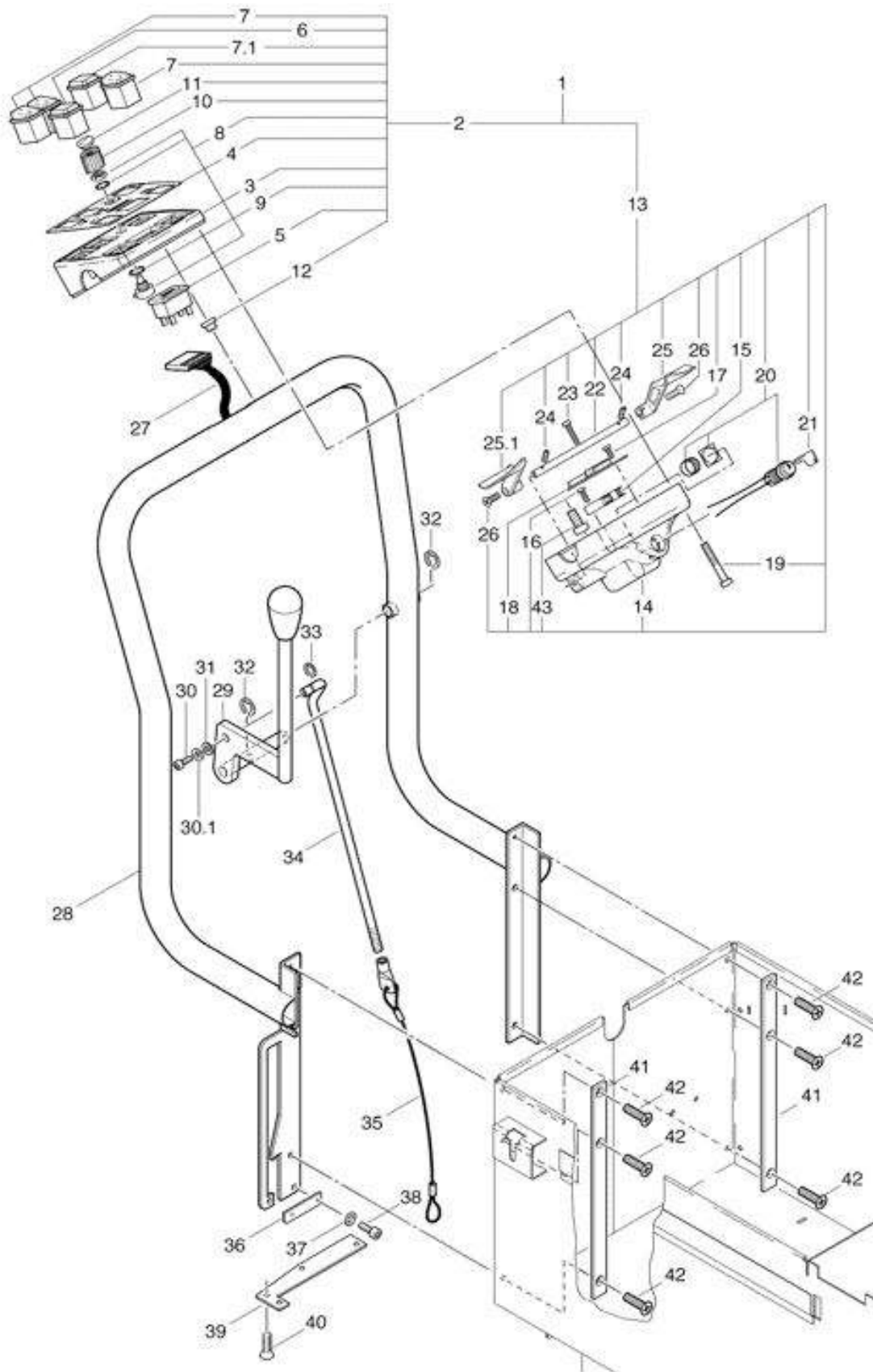
Clean water tank and Waste water tank

As at: 02/03/16 Time:03:41

Pos.	Description	Reference
01	Clean water tank	710.060
02	Flat bar	710.737
03	Scale label	710.736
05	Cylindrical screw M 5x12	P...488 B
06	Washer 6x25/1,5	P...510 L
07	Security washer M 7	P...513 P
08	Bolt	500.811
09	Hinge sheet	710.125
10	Counter sunk screw 6 edge	P...479 N
11	Hinge	710.065
12	Hexagon screw M 6x16	P...472 S
13	Serrated lock washer M 6	P...498 K
14	Hinge sheet	710.071
15	Cover for clean water tank	710.072
16	Waste water tank	710.110
17	Angled piece	560.674
18	Cover	710.120
19	Seal for cover	710.121
20	Hinge	710.122
21	Countersunk screw M 4x8	P...480 O
22	Distance piece	430.618
23	Washer M 6	P...497 K
24	Cylindrical screw M 5x12	P...488 B
25	Float basket kompl.	432.300
26	Screw complete with handle	432.307
29	Suction tube to blower	701.124
30	Discharge hose cpl. 900 mm	P...561 B
31	Discharge hose Set up to masch. no. 9101.001\r\n	701.127
34	Hose clamp	P...206 D
35	Hose clamp	P...109 G
36	Washer M 5	P...497 G
37	Cylindrical screw M 5x25	P...488 K
38	Suction hose complete	701.580
39	Ball Ø 45 mm	432.304
40	Filter bag	432.315
41	Cable tie 2.4 mm x 203 mm	P...609 B

RA 701 B
Controls box and upper pushbar

As at: 02/03/16 Time:03:42



RA 701 B

Controls box and upper pushbar

As at: 02/03/16 Time:03:42

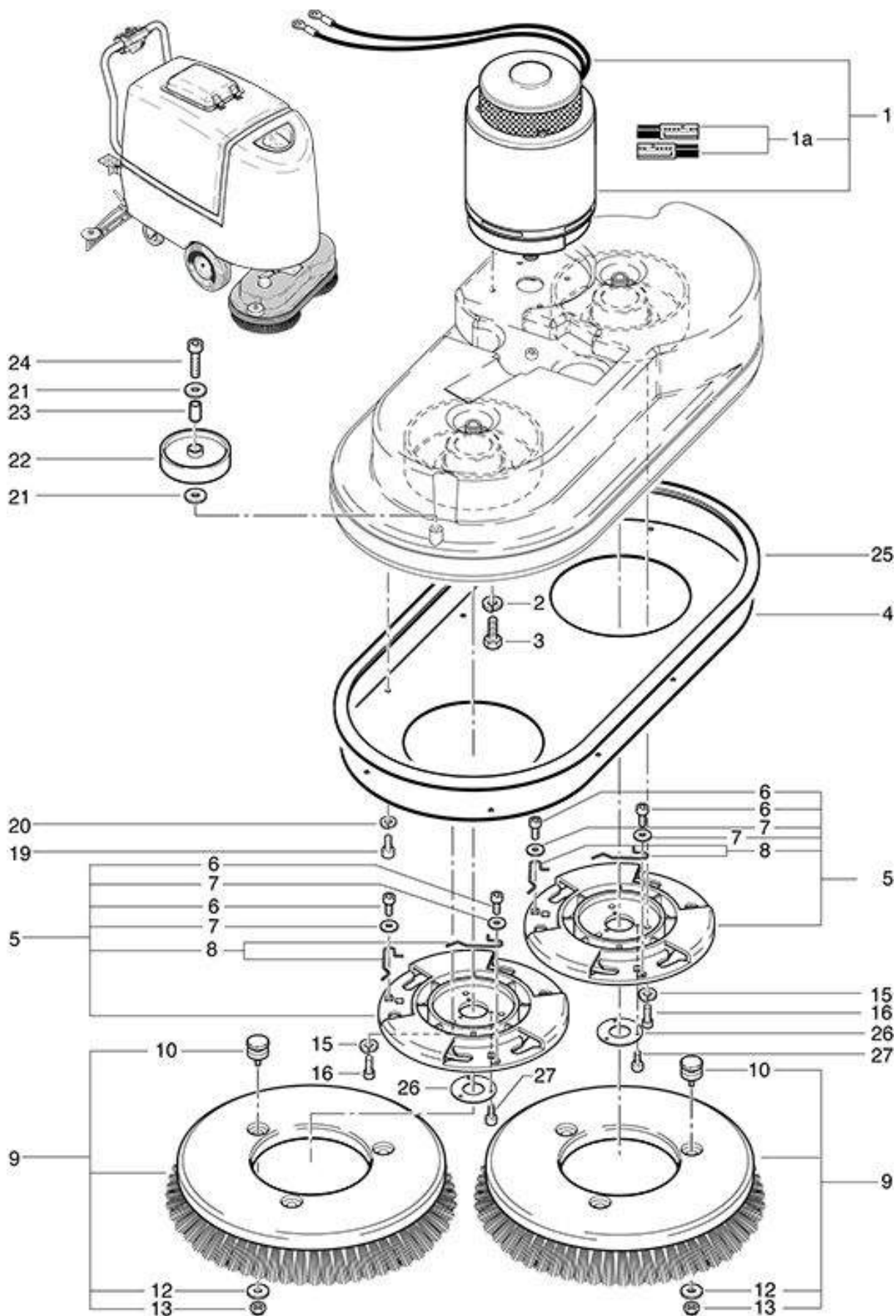
Pos.	Description	Reference
01	Control box complete including items 2+13	701.321
02	Control box (top) complete including items Pos. 3-12	701.326
03	Controls box (top)	701.221
04	Transparency keyboard	701.324
05	Battery status display	701.330
06	Push-button 24 V	P...238
07	Switch white 24 V	P...241
07.1	Switch 24 V	P...239
08	Potential meter 5 kOhm	701.370
09	Serrated lock washer M 10	P...498 O
10	Rotary button with line	560.372
11	Cover	560.373
12	Twist protection	710.314
13	Control box (lower part) cpl. incl. Items 14-26+43	701.328
14	Control box (lower part)	701.228
15	Safety switch	710.323
16	PT screw K 40x20	P...475 E
17	PT screw KA 30x10	P...516 A
18	Operating print	701.332
19	PT-screw KA 30x25	P...515 P
20	Key switch compl.	710.360
21	Replacement key	P...244 B
22	Axle start lever	710.225
23	Cylindrical screw M 4x25	P...477 H
24	Shank end screw M 4x8	P...484 DA
25	Start lever left	701.224
25.1	Start lever on the right	701.223
26	Countersunk screw M 8x4	P...479 A
27	Flat cable	701.346
28	Upper pushbar	701.312
29	Lever for raise the suction nozzle holder	710.532
30	Hex. socket screw M 4x8	P...488 D
30.1	Lock washer M 4	P...500 E
31	Washer M 4	P...497 C
32	Security washer 9 mm	P...500 L
33	Security washer 6 mm	P...500 K
34	Lever	710.531
35	String	430.817
36	Prop	701.316
37	Washer M 5	P...498 D
38	Hex. socket screw M 5x12	P...488 B
39	Connecting metal	701.073
40	Countersunk screw M 6x14	P...479 N
41	Reinforcement plate	710.313

42 Countersunk screw M 6x12
43 PT-screw KA 40x8

P...487 U
701.316

RA 701 B
Drive unit for brush head

As at: 02/03/16 Time:03:42



RA 701 B

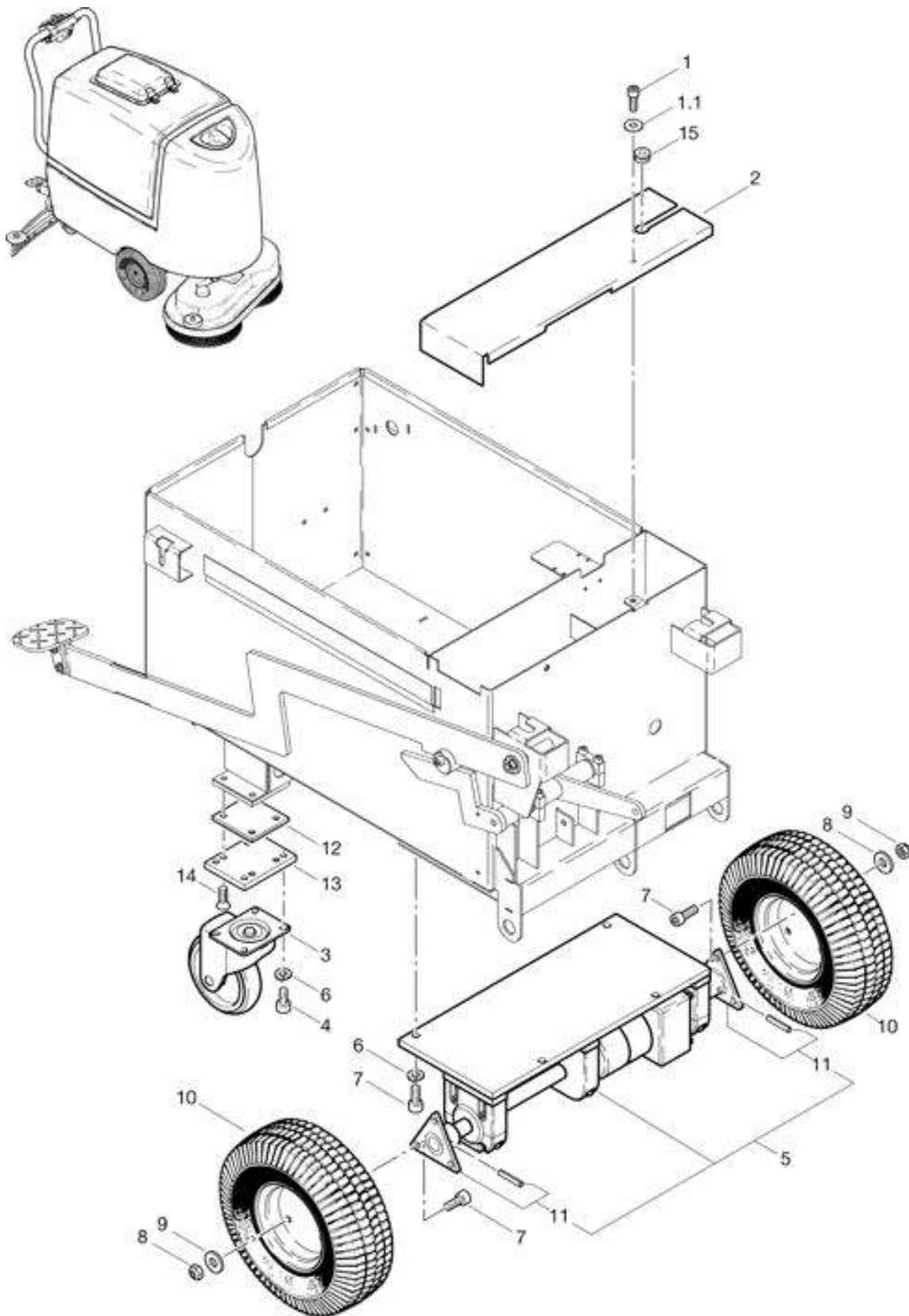
Drive unit for brush head

As at: 02/03/16 Time:03:42

Pos.	Description	Reference
01	Brush motor compl.	701.120
01a	Carbon brushes (Set)	710.441 A
02	Serrated lock washer M 6	P...498 U
03	screw DIN 933 M6 x 16 A2\r\n	P...472S
04	Metal cover	710.418
05	Driving plate	710.425
06	Hexagon screw M 5x10	P...488 E
07	Washer M 5	P...497 E
08	Spring for driving plate (Set)	701.429
09	Brush complet incl. the pos. 10-13	710.460
10	Bolt for driving plate	710.462
11	Distance ring	710.463
12	Washer M 6	P...510 L
13	Security M 6	P...492 K
15	Serrated lock washer M 4	P...500 E
16	Hexagon screw M 4x8	P...488 D
19	Hexagon screw M 5x8	P...488 E
20	Washer M 5	P...498 D
21	Washer M 8	P...497 T
22	Fender wheel	530.136
23	Distance ring	710.471
24	screw DIN 912 M8 x 55 A2\r\n	P...489 H
25	Seal 1600x10	710.418 A
26	Steal disc	710.428
27	Hexagon screw M 5x8	P...488 E

RA 701 B
Drive unit for wheel support

As at: 02/03/16 Time:03:42



RA 701 B

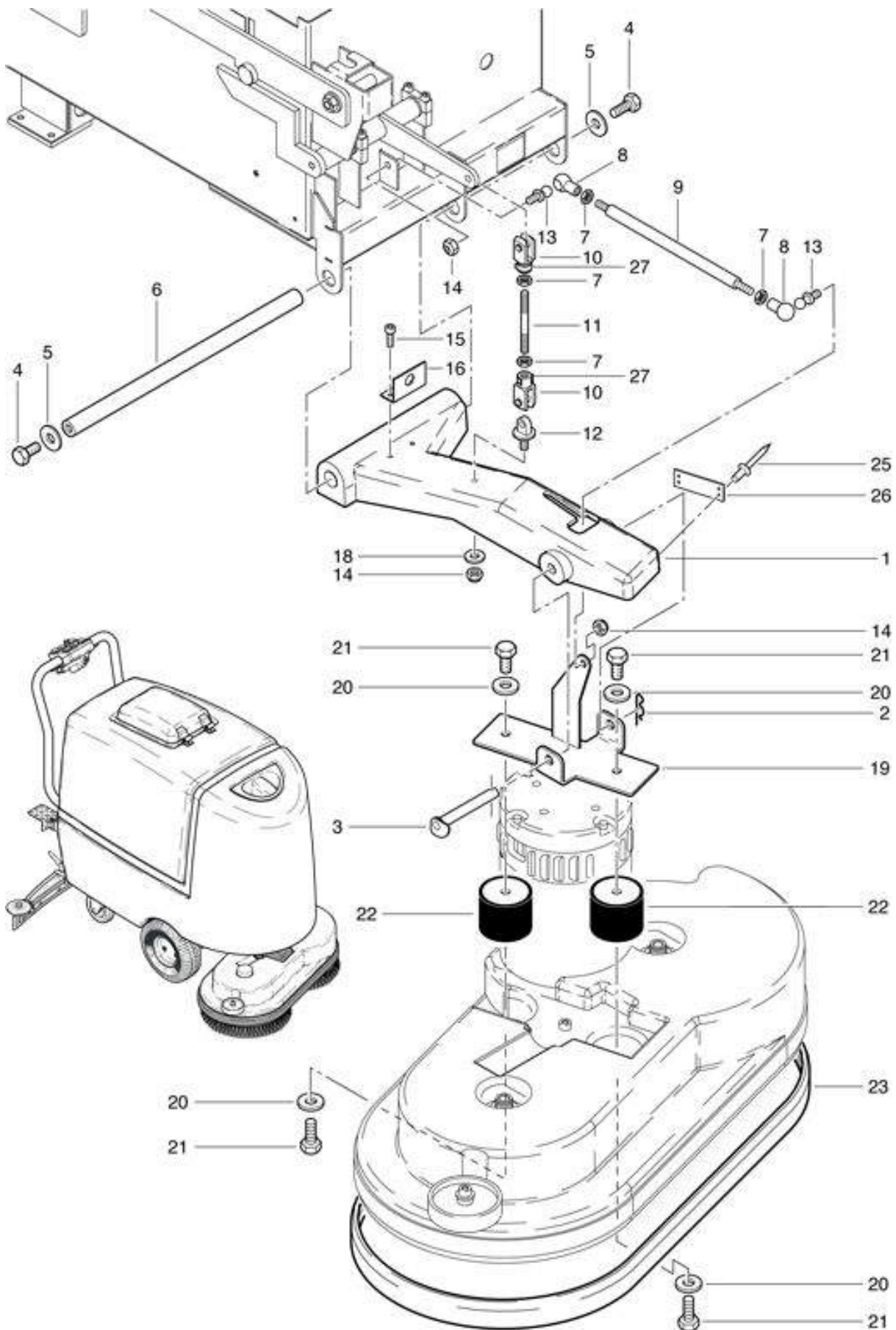
Drive unit for wheel support

As at: 02/03/16 Time:03:42

Pos.	Description		Reference
01	Hexagon socket screw	M 5x12	P...488 B
01.1	Rondelle M 5		P...497 E
02	Cover		710.260
03.	Castor		560.412
04	Hexagon socket screw	M 8x16	P...489 I
05	Driving motor		710.282
06	Spring washer M 8		P...498 N
07	Hexagon socket screw	M 8x25	P...487 D
08	Security nut M 8		P...492 H
09	Washer M 8		P...496 J
10	Wheel		710.285
11	Flange incl. Spring pin		710.287
12	Distance plate		710.286
13	Intermediate plate		710.288
14	Countersunk screw M 8x16		P...480 Q
15	Cable sleeve Ø 7.5x12 mm		P...115

RA 701 B
Extension brush head

As at: 02/03/16 Time:03:42



RA 701 B

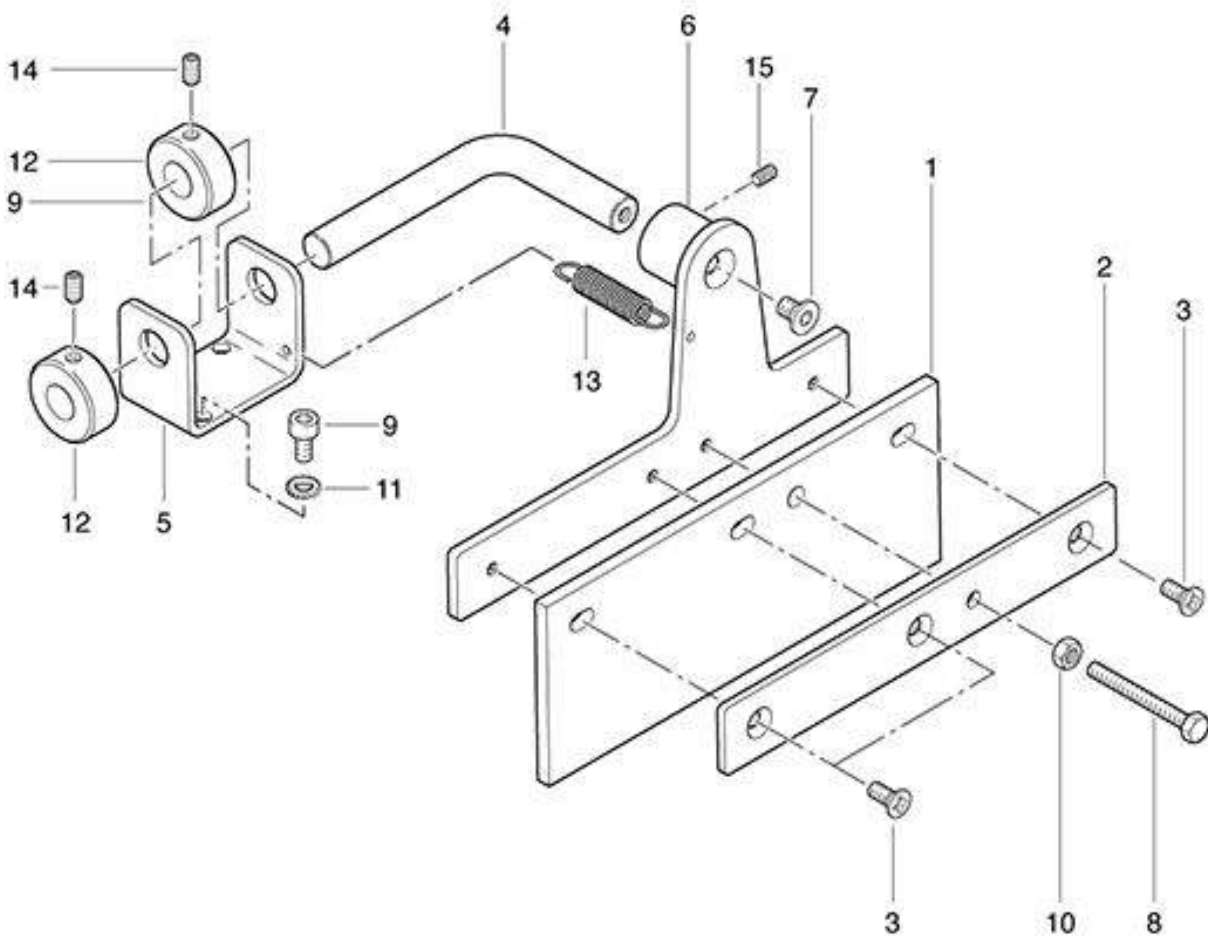
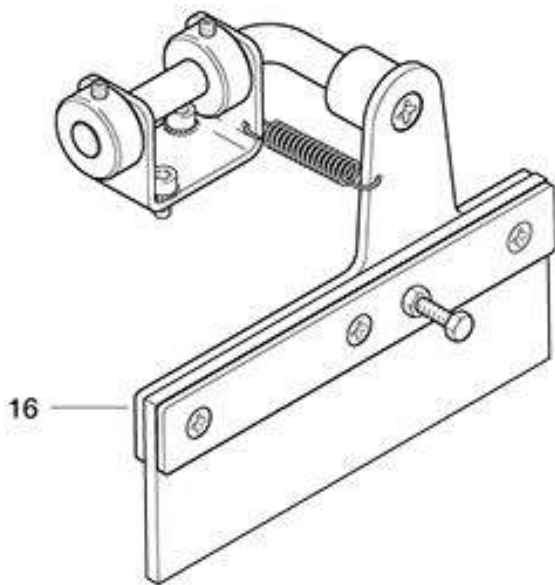
Extension brush head

As at: 02/03/16 Time:03:42

Pos.	Description	Reference
01	Removal brush head	710.276
02	Fuse	P...511 D
03	Pin	710.443
04	Hexagon screw M 10x16	P...472 W
05	Security nut M 10 DIN 921	P...496 S
06	axle	710.277
07	Hexagon nut M 8	P...491 M
08	Ball socket	P...512 C
09	Track bar	710.456
10	Shafts head	P...511 C
11	Distance bar	710.271
12	Bolt	710.279
13	Ball stud m. thread 13/sw.11	P...5012 D
14	Security nut M 8	P...492 N
15	Cylindrical M 5x12	P...488 B
16	Female quick connector angle	710.278
18	Washer M 8	P...496 Q
19	Support	710.445
20	Washer M 10	P...510 M
21	Hexagon screw M 10x16	P...472 W
22	Cuff cylinder	710.448
23	Shock protection	710.419
25	Blind rivets Ø 4.8x14.3	P...485 W
26	Reinforcing plate	710.274
27	It pin for yokes 8x16	P...511 B

RA 701 B
Hydrophobicity

As at: 02/03/16 Time:03:42



RA 701 B

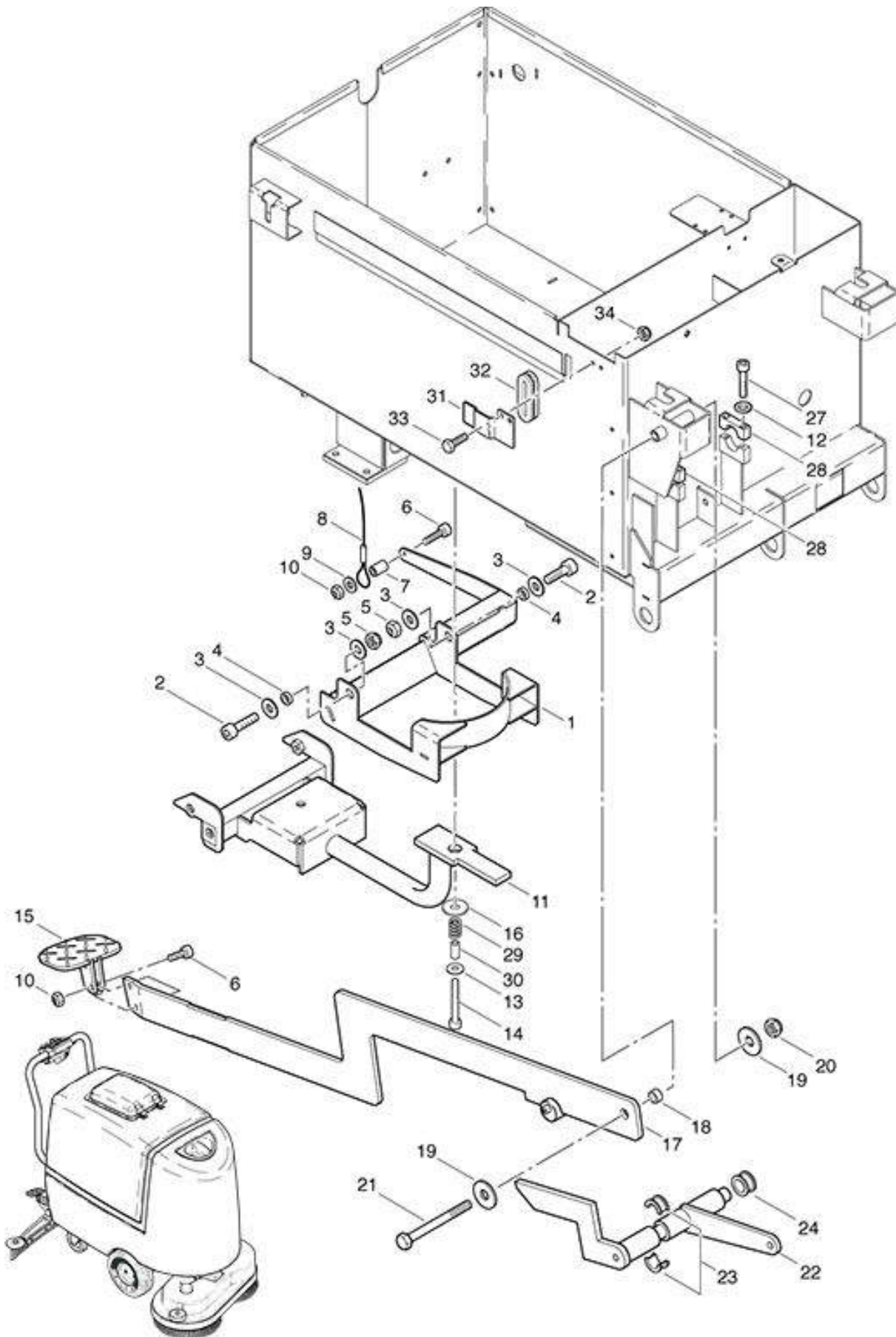
Hydrophobicity

As at: 02/03/16 Time:03:42

Pos.	Description	Reference
01	Splash guard	701.285
02	Retaining strip	701.281
03	Countersunk screw M 5x12	P...479 AB
04	Joint	701.282
05	Angle	701.283
06	Support	701.284
07	Countersunk screw M 6x14	P...479 N
08	Hexagon screw M 5x45	P...470 M
09	Hexagon socket screw M 5x10	P...489 E
10	Hexagon nut M 6	P...491 D
11	Spring ring M5	P...498 D
12	Adjusting ring without grub screw Ø 12/22/12	P...329
13	Spring	701.286
14	Grub allen screw M 6x8	P...482 XB
15	Grub allen screw M 4x8	P...482 XC
16	Hydrophobicity compl.	701.280

RA 701 B
Lifting lever

As at: 02/03/16 Time:03:42



RA 701 B

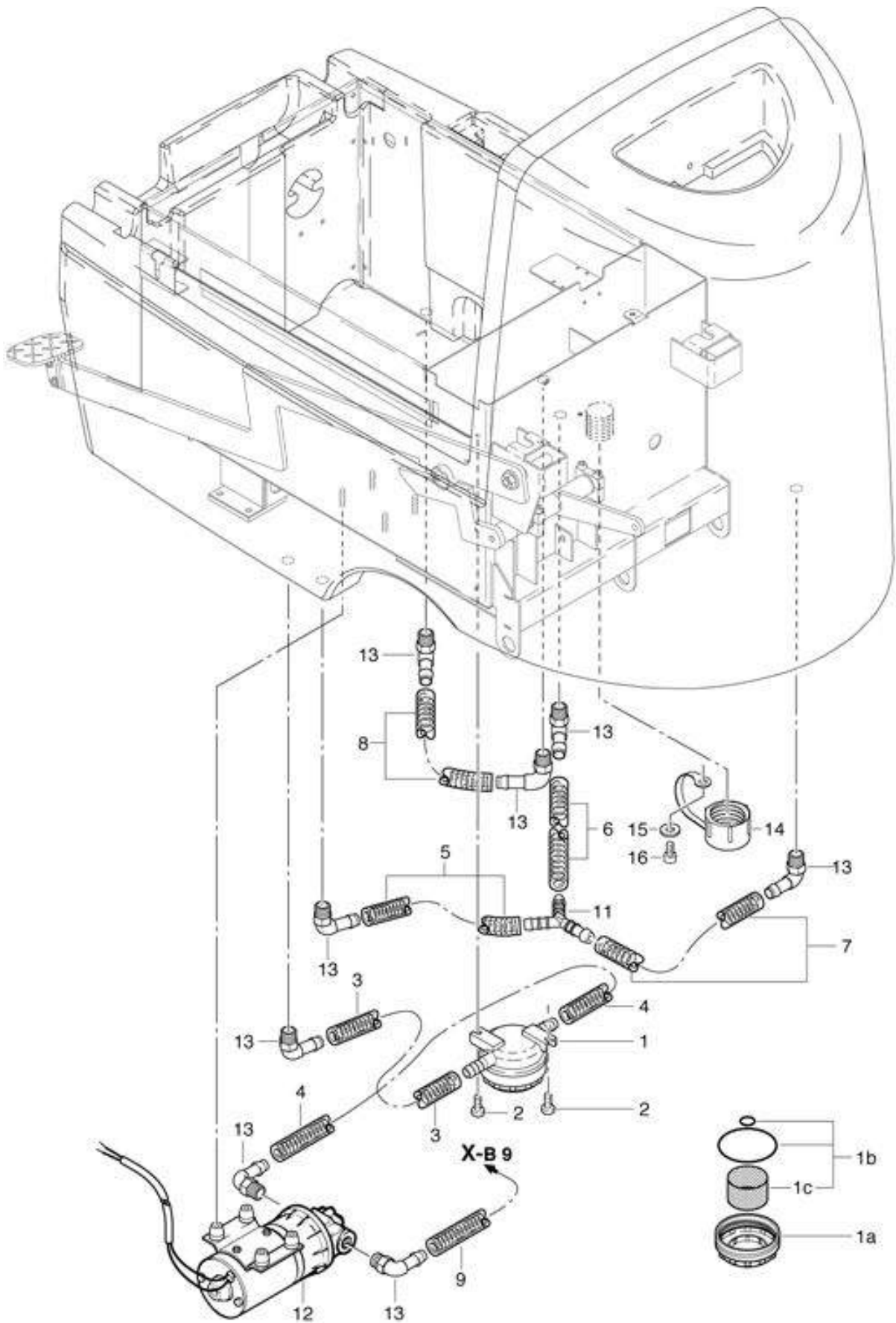
Lifting lever

As at: 02/03/16 Time:03:42

Pos.	Description	Reference
01	Swivel support	710.520.1
02	Hexagon screw M 8x25	P...487 D
03	Washer M 8	P...496 Q
04	Bearing box	710.528
05	Stopmutter M 8	P...492 H
06	Hexagon screw M 6x20	P...489 K
07	Distance tube	710.129
08	String	430.817
09	Washer M 6	P...497 K
10	Security nut M 6	P...492 K
11	Squeegee support	710.541
12	Lock washer M 5	P...498 D
13	Washer M 6	P...497 H
14	Cylindrical screw M 6x40	P...487 D
15	Running board	701.268
16	Washer M 10	P...496 S
17	Lift lever	710.265.1
18	Distance ring	710.270
19	Washer M 8	P...496 J
20	Hexagon nut M 8	P...492 N
21	Hexagon screw M 8x80	P...473 I
22	Lever	710.250
23	Distance piece	710.255
24	Distance piece	710.254
26		710.256
27	Hexagon screw M 5x25	P...488 K
28	Bowl upper section	710.256
29	Compression spring Ø 12.5	432.083
30	Distance washer	701.541
31	Cable protection	701.211
32	Cable sleeve	P...114
33	Hexagon screw A2 M 5x10	P...472 E
34	Locknut M 6	P...492 G

RA 701 B
Pump and waterdistribution

As at: 02/03/16 Time:03:42



RA 701 B

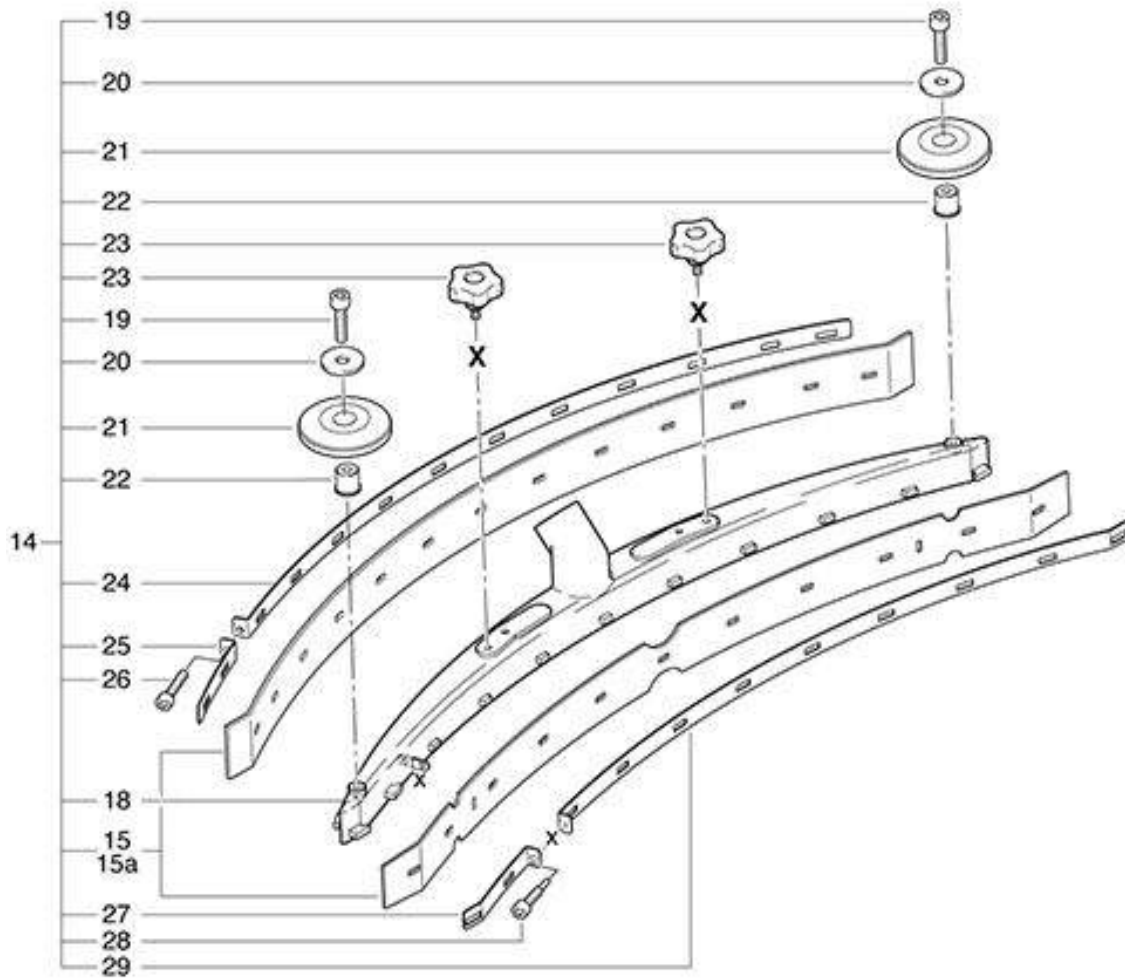
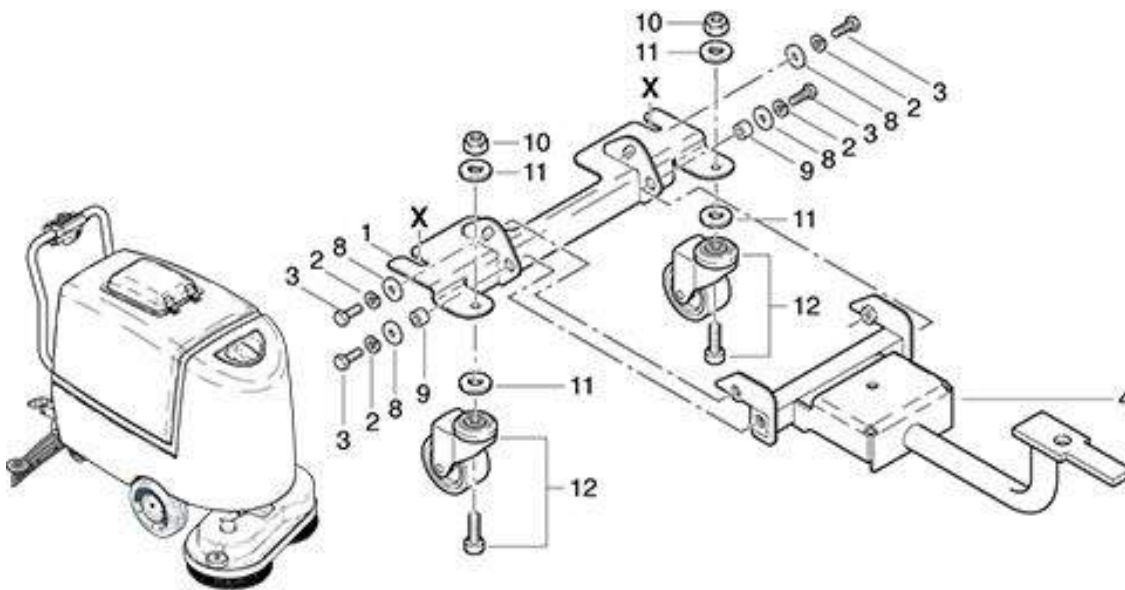
Pump and waterdistribution

As at: 02/03/16 Time:03:42

Pos.	Description	Reference
01	Water filter	430.759
01a	Filter cover	430.258
01b	Filter kit	430.759 A
01c	Filter	430.759 B
02	Hexagon socket screw M 4x12	P...488 A
03	Hose Filter-Clean water tank	701.372
04	Hose Pump-Filter	701.379
05	Pressure Clean water tank-Y-piece	701.376
06	Pressure Clean water tank-Y-piece	701.376
07	Pressure Clean water tank-Y-piece	701.377
08	Pressure Clean water tank	701.374
09	Hose Ball tap-Pump	701.378
11	"Y"-distribution piece	P...542 E
12	Pump	P...824
13	Angled nipple 12-3/8"	P...541 D
14	Cover	500.410
15	Washer M 6	P...497 G
16	Cylindrical screw M 6x16	P...488 P

RA 701 B
Tractor nozzle

As at: 02/03/16 Time:03:42



RA 701 B

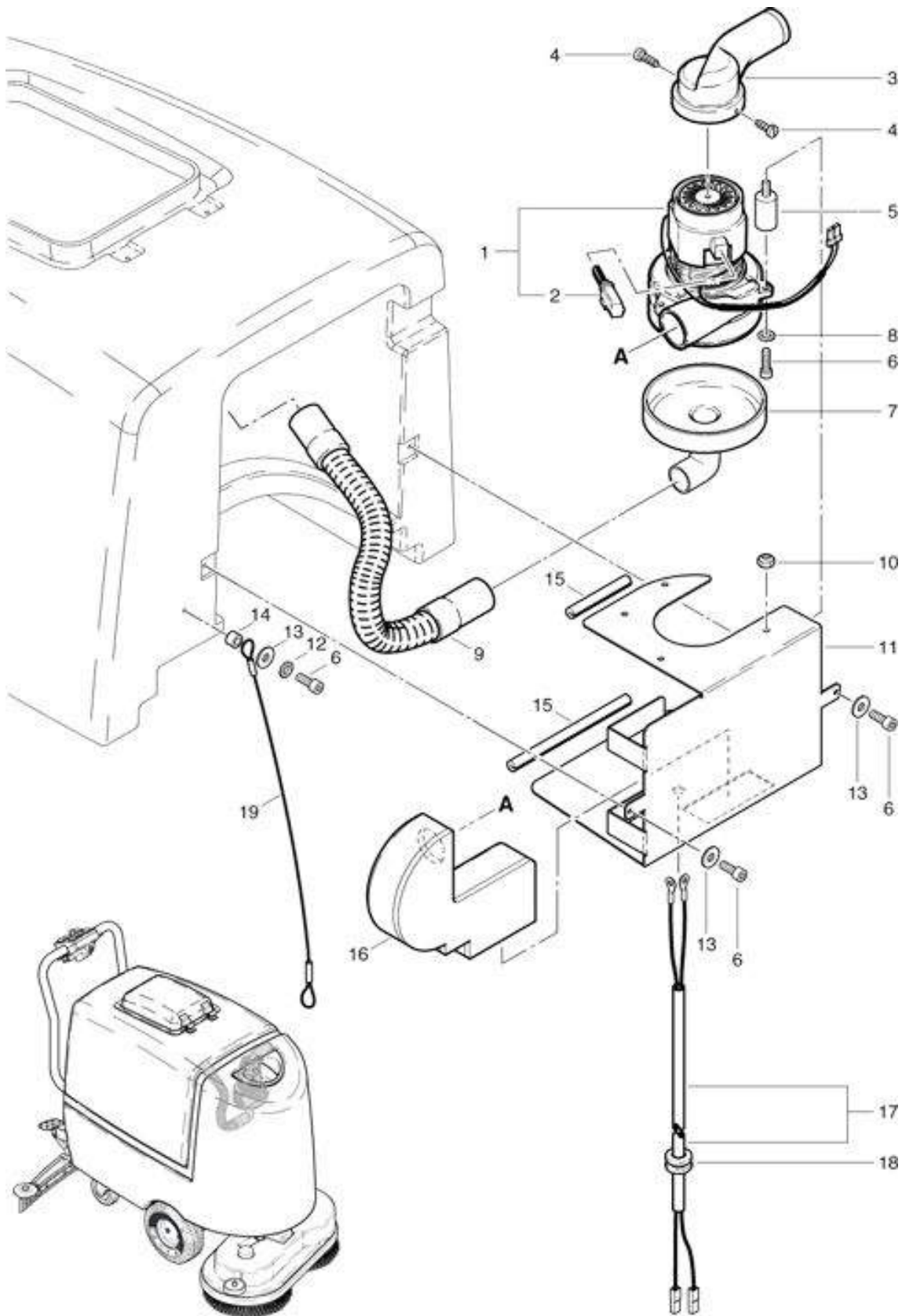
Tractor nozzle

As at: 02/03/16 Time:03:42

Pos.	Description	Reference
01	Angle for support for suction canal	701.512
02	ring DIN 127B M6 6,1/11,8/1,6	P...498U
03	Hexagon screw M 6x16	P...472 S
04	Squeegee support	710.541
08	Allen screw M 6x18	P...497 H
09	Sleeve	560.531
10	Stop-nut M 10	P...492 Q
11	Washer M 10.5x30x2.5	P...496 S
12	Castor compl.	P...209 C
14	Tractor nozzle complete including: Items 15-29	701.550
15	Suction lips set, standard	701.080
15a	Suction lips set, and fatsteadily	701.081
18	Tractor nozzle	701.555
19	Hexagon screw M 8x40	P...473 C
20	Washer M 8	P...500 N
21	Roller	800.561
22	Bolt short	800.423
23	Star handle Ø 62 mm M 8x18 mm	P...253 M
24	Back support	701.562
25	Security bar	701.564
26	Cylindrical screw M 6x25	P...488 Q
27	Support plate in front	701.561
28	Adjusting screw	800.425
29	Front support	701.563

RA 701 B
Vacuum motor assembling

As at: 02/03/16 Time:03:42



RA 701 B

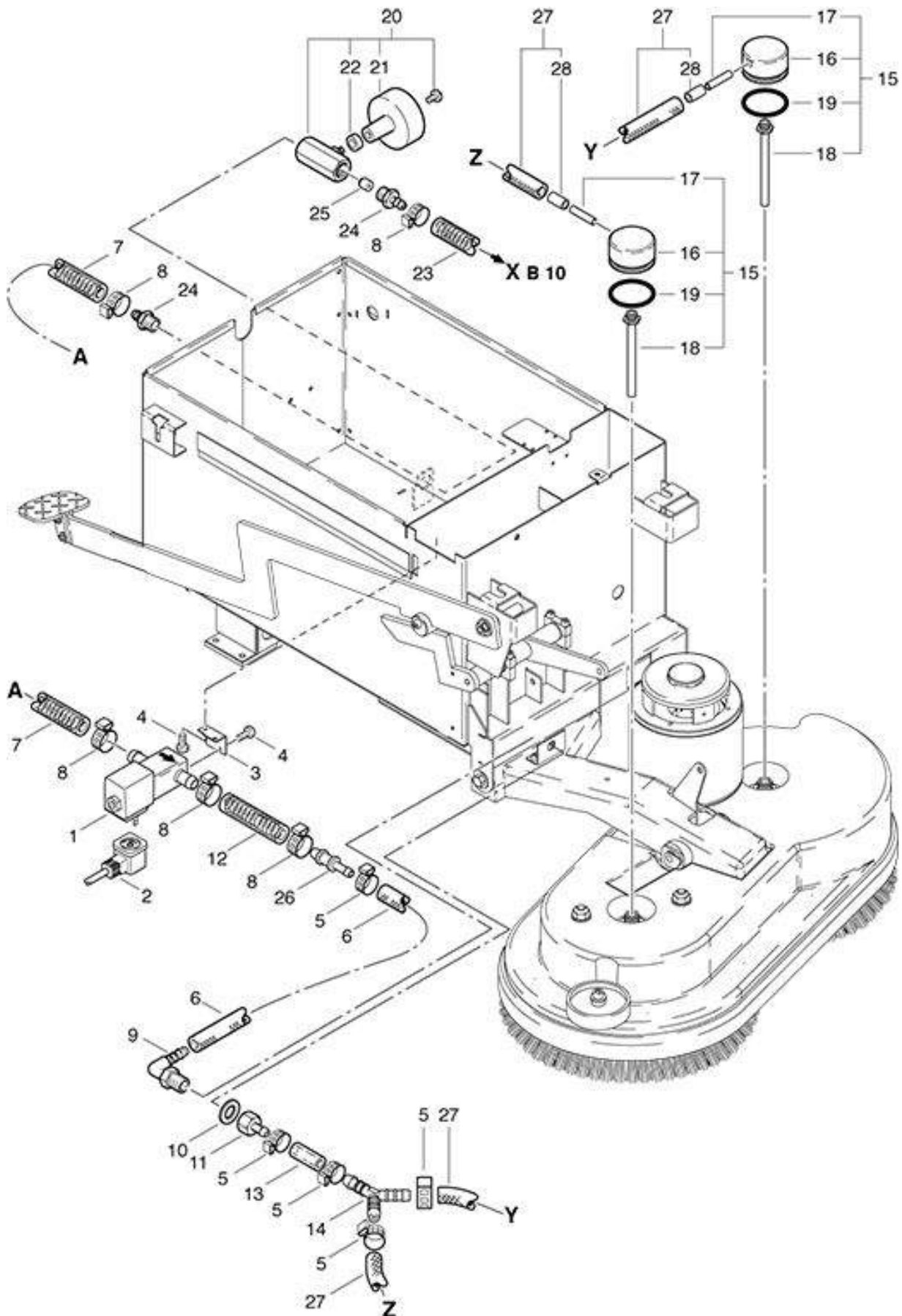
Vacuum motor assembling

As at: 02/03/16 Time:03:42

Pos.	Description	Reference
01	Vacuum motor cpl. 24V	440.206
02	Pair of carbon brushes	500.441 K
03	Tube for motor cooling	420.361
04	Screw 2,9x6,5	P...483 H
05	Round buffer Ø 20x30 mm	400.214
06	Cylindrical screw M 6x16	P...488 Q
07	Hose connection cap	710.155
08	Lock washer M 6	P...498 H
09	Suction hose cpl.	710.153
10	Security nut M 6	P...492 K
11	Motor support	710.151
12	Hexagon screw M 6x20	P...472 T
13	Washer M 6/6.4/18/1.6	P...497 H
14	Distance piece	710.129
15	Rubber for edge protection	P...340 D
16	Noise absorbing canal	710.152
17	Cable tree vacuum motor compl.	710.355.4
18	Cable protection	P...408 L
19	String	710.128

RA 701 B
Valve and waterdistribution

As at: 02/03/16 Time:03:43



RA 701 B

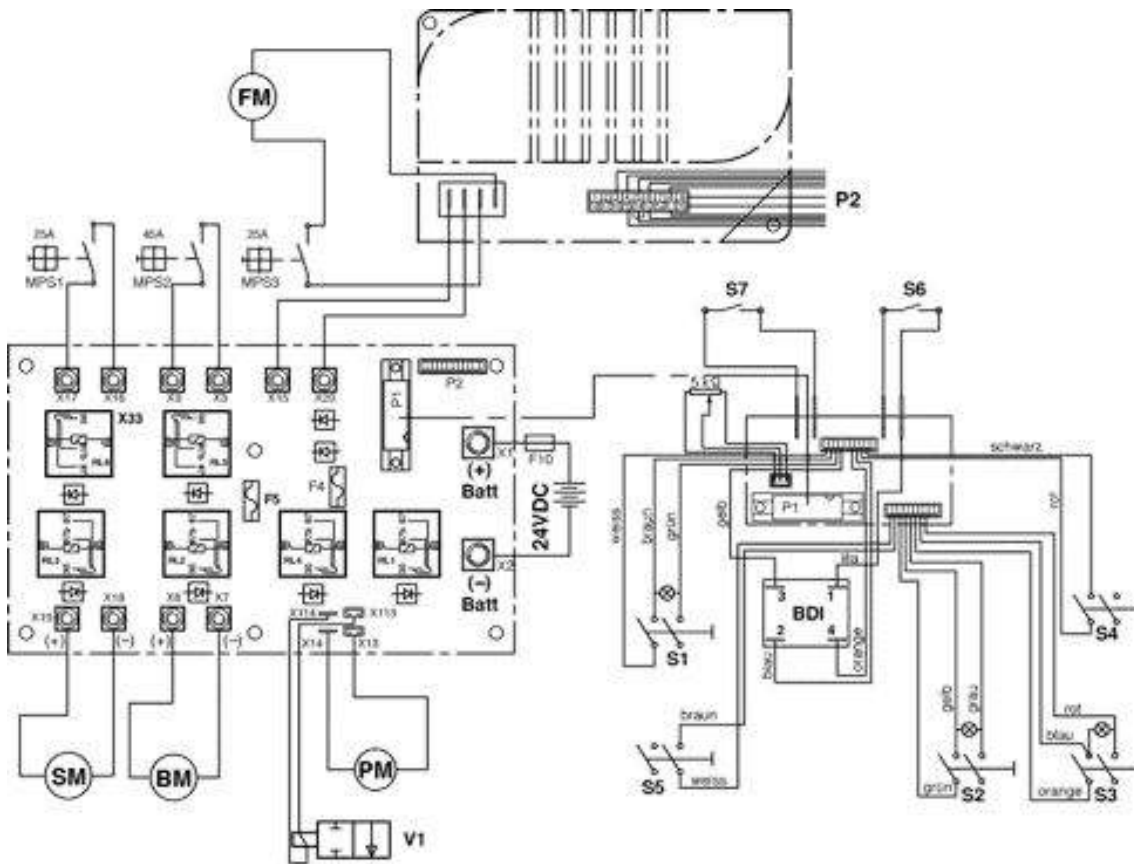
Valve and waterdistribution

As at: 02/03/16 Time:03:43

Pos.	Description	Reference
01	Valve 24 V	P...258
02	Cable to magnetic valve	701.710
03	Valve support plate	701.233
04	Cylindrical screw M 4x10	P...486 C
05	Hose clamp Ø 15,7 mm	P...550 B
06	Hose Nopple-Angled hose nipple	701.381
07	Hose Ball tap-Valve	701.384
08	Hose clamp Ø 19.8 mm	P...550 N
09	Angled fitting	P...541 H
10	Washer M 12	P...496 X
11	Fitting	P...525 K
12	Hose Valve-Nopple	701.385
13	Hose Angled hose nipple-Y-piece	701.382
14	"Y"-distribution piece	P...542 E
15	Adapter complete including items 16-19	701.383
16	Adapter	710.451
17	Small hose for adaptor	710.452
18	Spray tube	701.452
19	O-ring	710.453
20	Ball tap complete	701.260
21	Ball tap lever	701.265
22	Distance piece	710.259
23	Pressure hose 12.5x3 mm	P...566 F
24	Fitting	P...519 B
25	Nozzle	500.355 C
26	Union GRS 12-8	P...539 Z
27	Hose ”Y” -distribution piece-Brush compl.	701.383
28	Blende Ø 2,5	701.453

RA 701 B Wiring diagram

As at: 02/03/16 Time:03:43



- S1 = Schalter Sauggebläse / Switch Vacuum motor / Interrupteur moteur d'aspiration
- S2 = Schalter Bürstmotor
- S3 = Schalter für Pumpe / Tumbler switch for pump / Interrupteur pour pompe
- S4 = Schalter Pumpe für Kurzintervall
- S5 = Schalter Vor- und Rückwärts
- S6 = Schlüsselschalter
- S7 = Totmannschalter
- MPS1 = Motorschutzschalter 25A
- MPS2 = Motorschutzschalter 45A
- MPS3 = Motorschutzschalter 25A
- F4 = Steuersicherung 2A
- F5 = Sicherung für Pumpe 10A
- F10 = Hauptsicherung 100A
- PR1 = Potmeter
- Print1 = Hauptprint
- Print2 = Verteilprint
- BDI = Batterieüberwachung
- FM = Fahrmotor
- BM = Bürstmotor
- SM = Saugmotor / Vacuum motor / Moteur d'aspiration
- PM = Pumpenmotor
- V1 = 2/2 - Wegeventil

RA 701 B

Wiring diagram

As at: 02/03/16 Time:03:43

Pos.	Description	Reference
BDI	Battery monitoring	
BM	Brushing engine	710.441
F10	Main protection 100 A	
F4	Control protection 2 A	
F5	Protection for pump 10 A	
FM	Drive motor	710.282
MPS1	Protective switchgear of an engine 25 A	
MPS2	Protective switchgear of an engine 45 A	
MPS3	Protective switchgear of an engine 25 A	
PM	Pump engine	P...824
PR1	Potmeter	
Print	Main print	
Print	Distribution print	
S1	Schalter für Vacuum motor	
S2	Switch brushing engine	
S3	Tumbler switch for pump	
S3	Switch	710.323
S4	Switch pump for short interval	
S5	Switch Vor-and backwards	
S6	Key switch	560.361
S7	Dead man switch	
SM	Vacuum motor	440.206
V1	2/2-Ski selector valve	