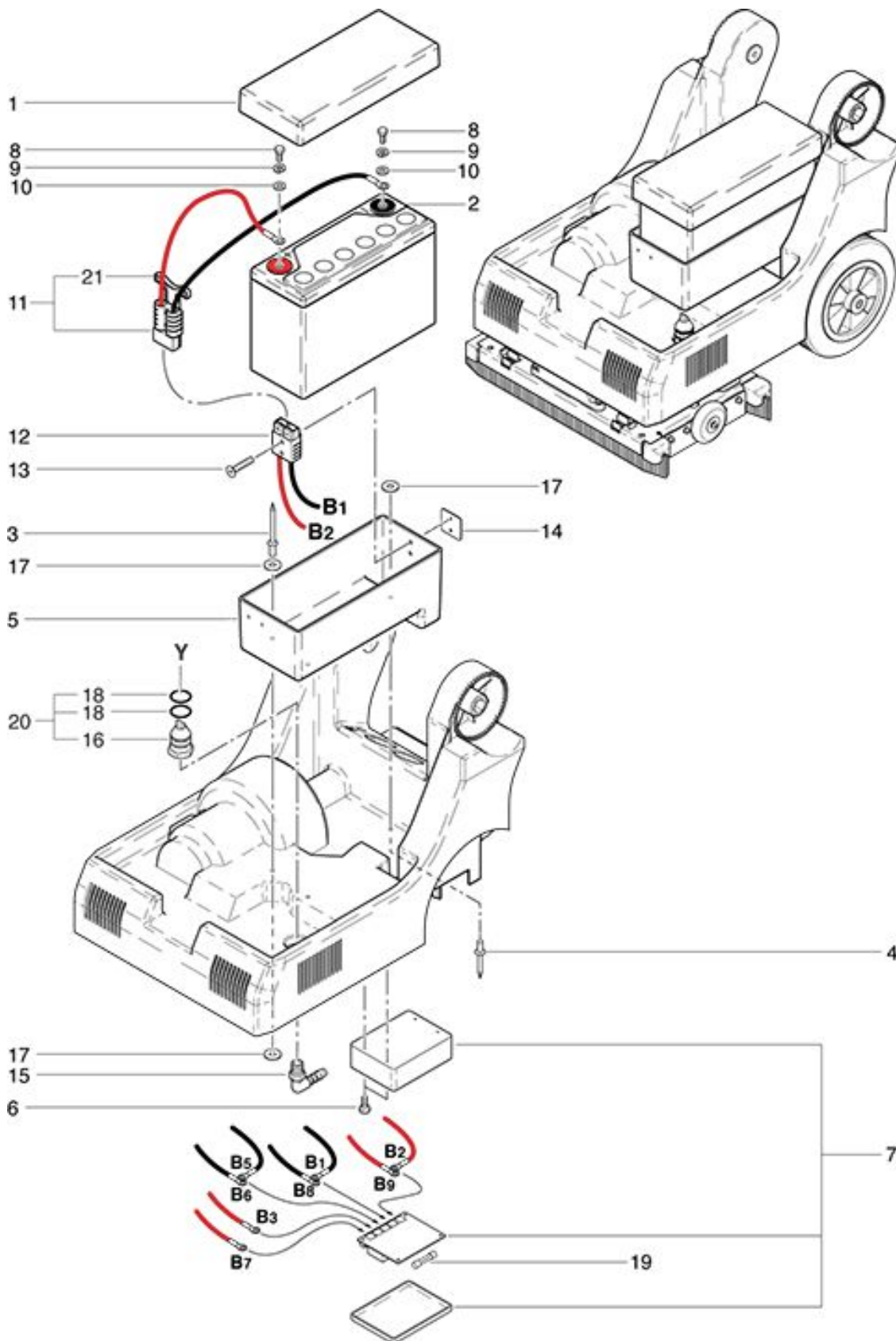


RA 320 IBC Battery

As at: 02/03/16 Time:02:41



RA 320 IBC

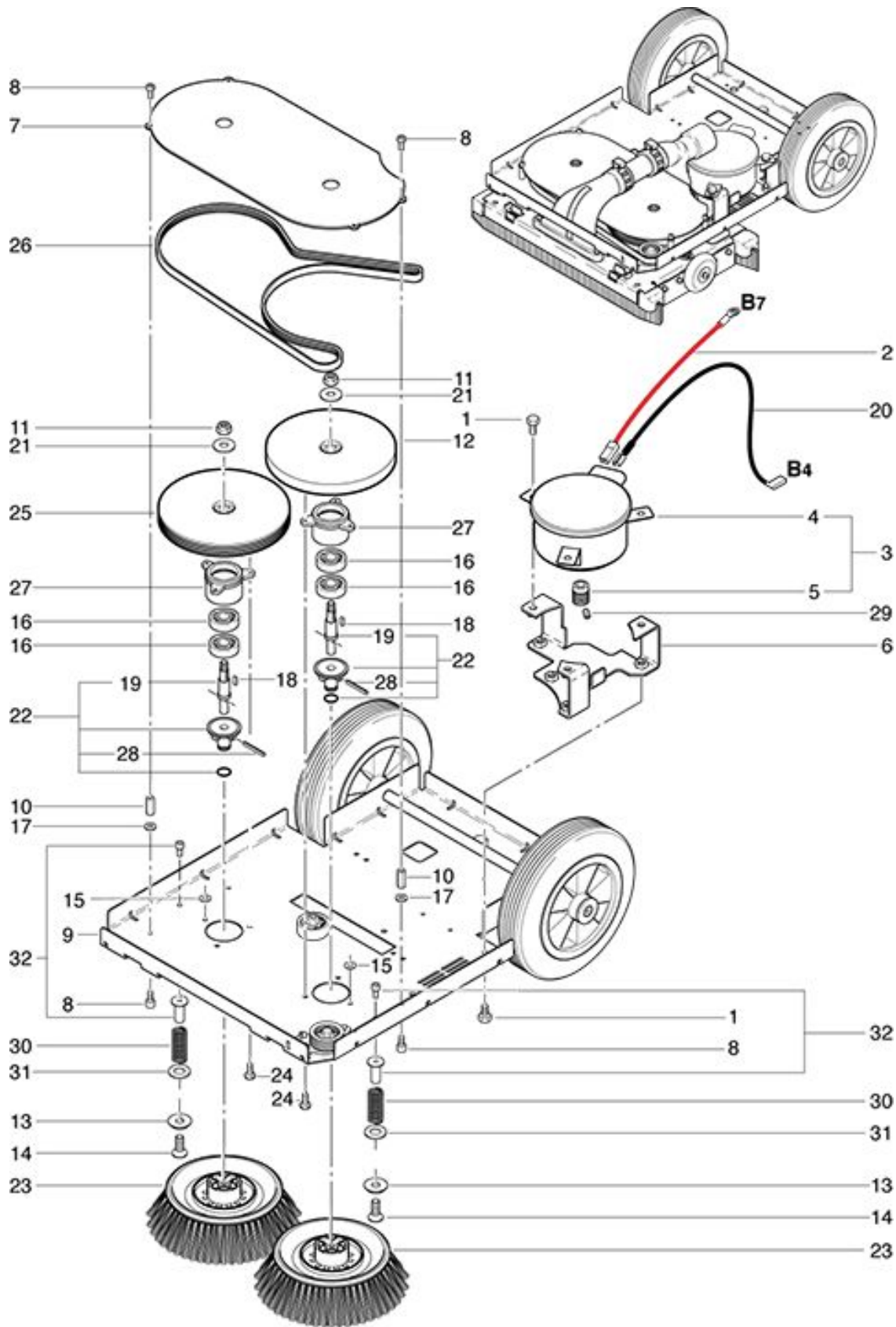
Battery

As at: 02/03/16 Time:02:41

Pos.	Description	Reference
01	Covering of battery	320.265
02	Battery	320.091
03		P...484 WA
04		P...485 PA
05	Battery container	320.261
06	PT-srew KA 40x8	P...515 W
07	\r\n	395.371
08	Hexagon screw M 6x12	P...470 R
09	Spring ring M 6	P...498 U
10	Washer M 6	P...496 K
11		320.112
12		320.113
13	Screw DIN 963 M 4x20	P...481 A
14		320.268
15	Angled hose nipple WES 10/R 1/4"	P...541 J
16	Valve	320.243
17	Washer M 5	P...496 G
18	O-Ring 16,0x2mm, NBR, 70ShA	P...960 P
19	Fuse T1A 5x20 mm	P...218 A
20	Valve compl.	320.247
21	Red handle	P...358 D

RA 320 IBC
Brush

As at: 02/03/16 Time:02:41



RA 320 IBC

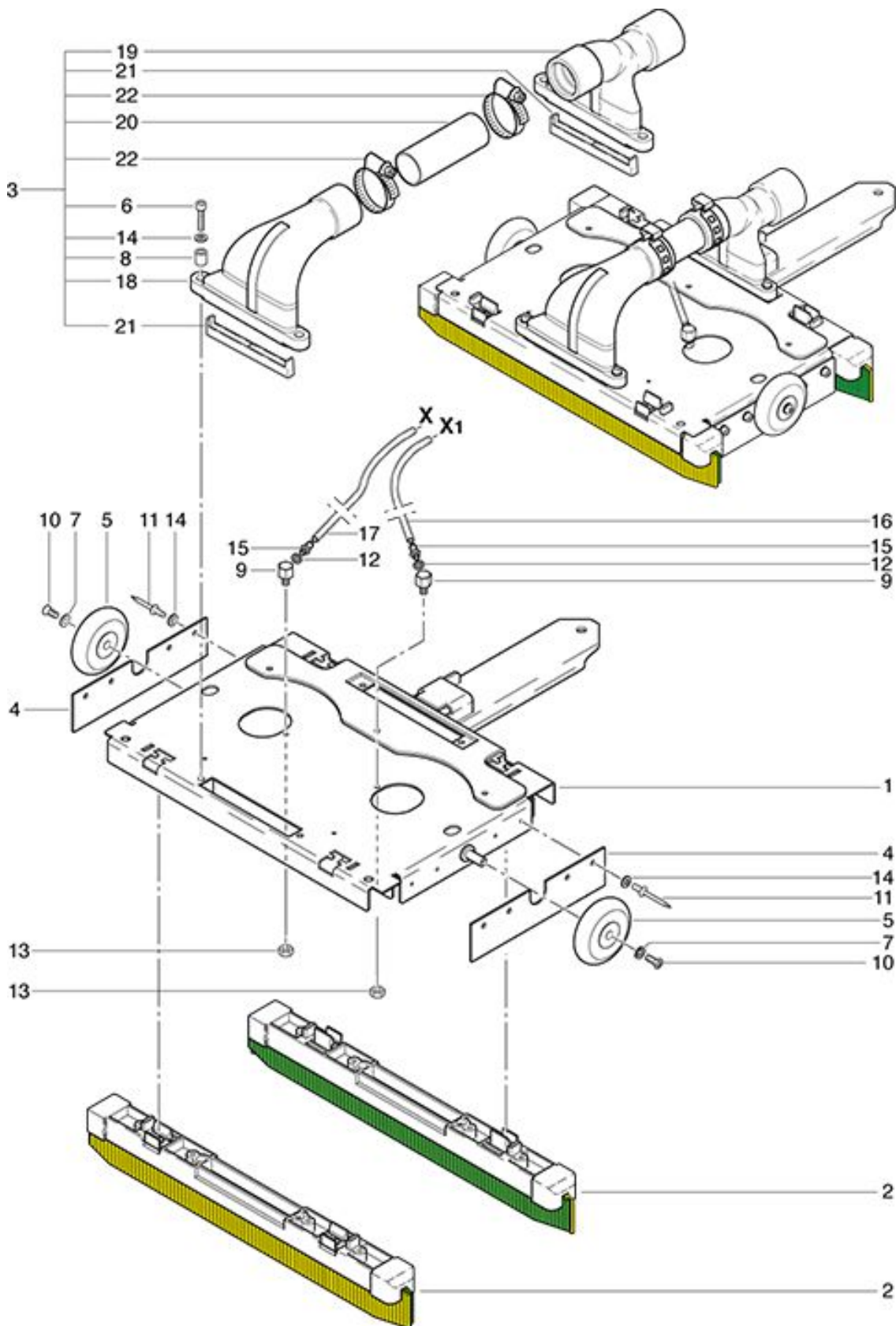
Brush

As at: 02/03/16 Time:02:41

Pos.	Description	Reference
01	Hexagon screw M 6x10	P...471 Z
02	Cable for motor, red 2,5mm ² , L=240mm	320.319
03	Motor compl.	320.120
04	DC-motor 12V 146W	320.121
05		320.123
06	Holder for motor	320.114
07	Covering plate	320.233
08	Cylindrical screw M 6x16	P...481 P
09	Chassis	320.111
10	Distance stops	P...484 UC
11	Stopp-nut M 8	P...492 H
12	Main belt pulley even	320.155
13	Washer M 6	P...500 Q
14	Countersunk screw M 6x12	P...487 U
15	Washer M 4	P...500 J
16	Ball bearing	P...316 D
17	Washer M 4	P...496 D
18	Clafette 4x4x12	P...512 OA
19	Axle	320.142
20	Cable for motor, black 2,5mm ² , L=400mm	320.318
21	Washer M 8	P...496 Q
22	Sensor compl. Pos. 19+28	300.368
23	Brush Ø 16,5	320.059
24	Screw M 4x10	P...481 P
25		320.151
26	Poly-V belt	320.125
27	Bearing flange	320.141
28	Safety lock pin 4x30	P...512 Y
29	Threaded pin M 3x4	P...482 Y
30	Spring Ø 1,5 Ø 14x35	P...511 G
31	Washer DIN 125-A M 10 10,5/20/2	P...496 T
32		320.127
33	O-Ring 9.19x2.62 NBR	P...960 U

RA 320 IBC
Front suction nozzle

As at: 02/03/16 Time:02:41



RA 320 IBC

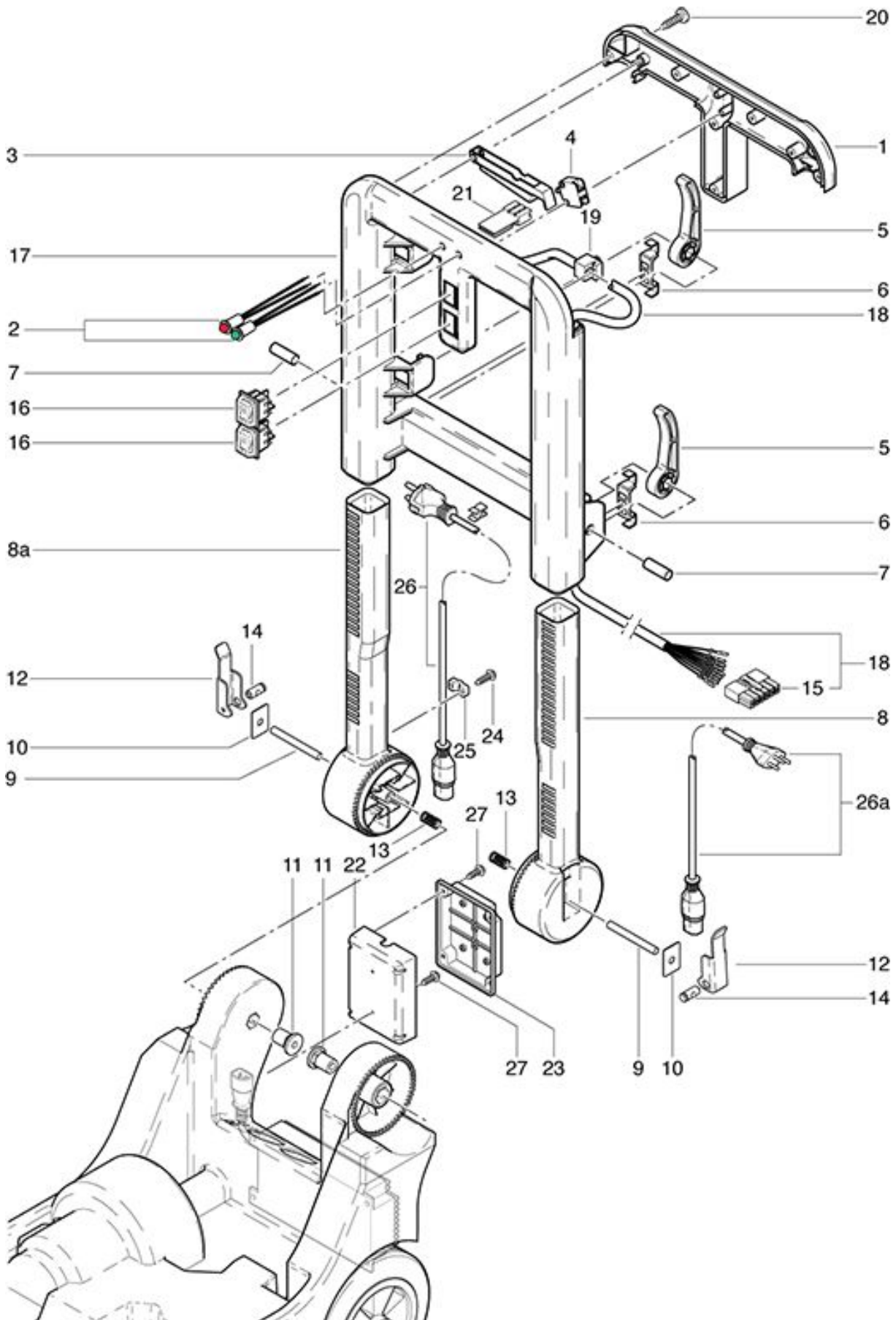
Front suction nozzle

As at: 02/03/16 Time:02:41

Pos.	Description	Reference
01	Support of squeegee	320.204
02		320.420
02		320.421
03	Air canal compl.	320.215
04	Spraying protection	320.312
05		P...204 H
06	Screw DIN 912 M 4x20	P...488 C
07	Washer M 5 5,3/16/2,8	P...500 U
08		P...509 L
09	Bolting	320.255
10	Countersunk allen screw M 5x12	P...480 U
11	Rivet	P...485 Y
12	Seal for screw-in-socket	718.914 A
13	Hexagon nut M 6	P...491 MA
14	Washer DIN 125-A M 4 4,4/9/0,8	P...496 D
15	Screw-in-socket	320.170
16	Spray hose 6/4x370	320.254
17	Spray hose 6/4x280	320.253
18	Front air canal	320.217
19	Rear air canal	320.216
20	Tube air canal	320.218
21	Canal	320.214
22	Hose clamp	P...206 D

RA 320 IBC
Handle housing

As at: 02/03/16 Time:02:42



RA 320 IBC

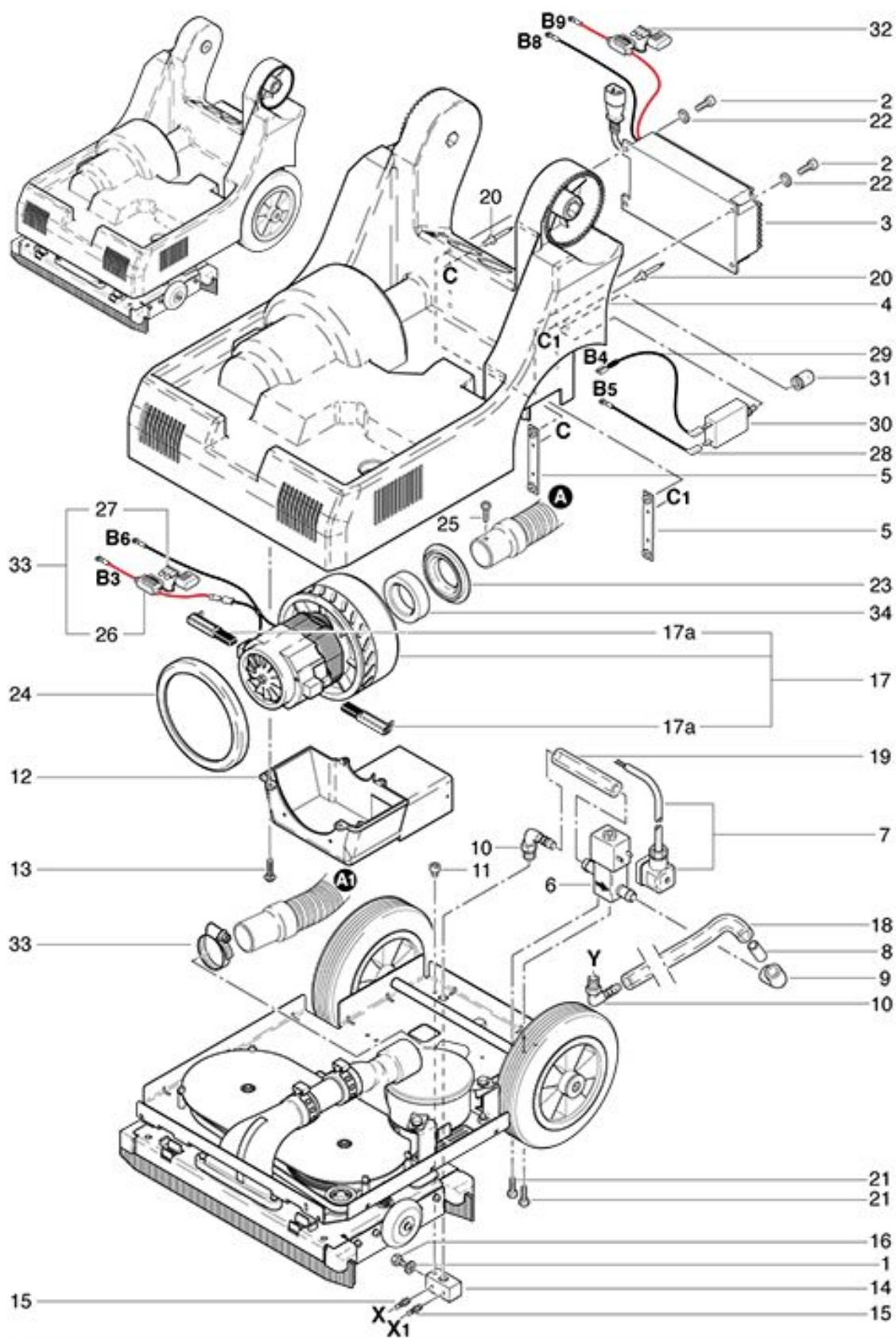
Handle housing

As at: 02/03/16 Time:02:42

Pos.	Description	Reference
01	Cover for handle	300.620
02	Set LED red, green, 2.1V Ø 5 mm	P...415
03	Controlling lever	380.267
04	Key switch	950.453
05	Fixing lever	380.262
06	Adjustment	380.259
07	Pin	380.265
08	Lower lever left	320.615
08a	Lower lever right	320.616
09	Threaded bolt	320.361
10	Support	320.235
11	Bolt	320.282
12	Switch	320.262
13	Spring	320.263
14	Axle	320.362
15	Minifit 12 pol.	P...411
16	Tumbler switch white	P...231
17	Handle housing	320.610
18	Cable	320.315
19	Cable tightener	380.252
20	PT-screw KA 40x16	P...516 C
21		P...419
22	Distribution box bottom	320.320
23	Distribution box bottom	P...379 A
24	PT screw KA 40x18	P...516 G
25	Cable clamp	4611085
26	Connection cable VDE 3x1,00 mm ² , black	436.790
26a	Connection cable SEV 3x1,00 mm ² , black	436.791
27	screw WN 1412 KA 30x10 A2K	P...516 A

RA 320 IBC
Magnetic valve-Suction motor

As at: 02/03/16 Time:02:42



RA 320 IBC

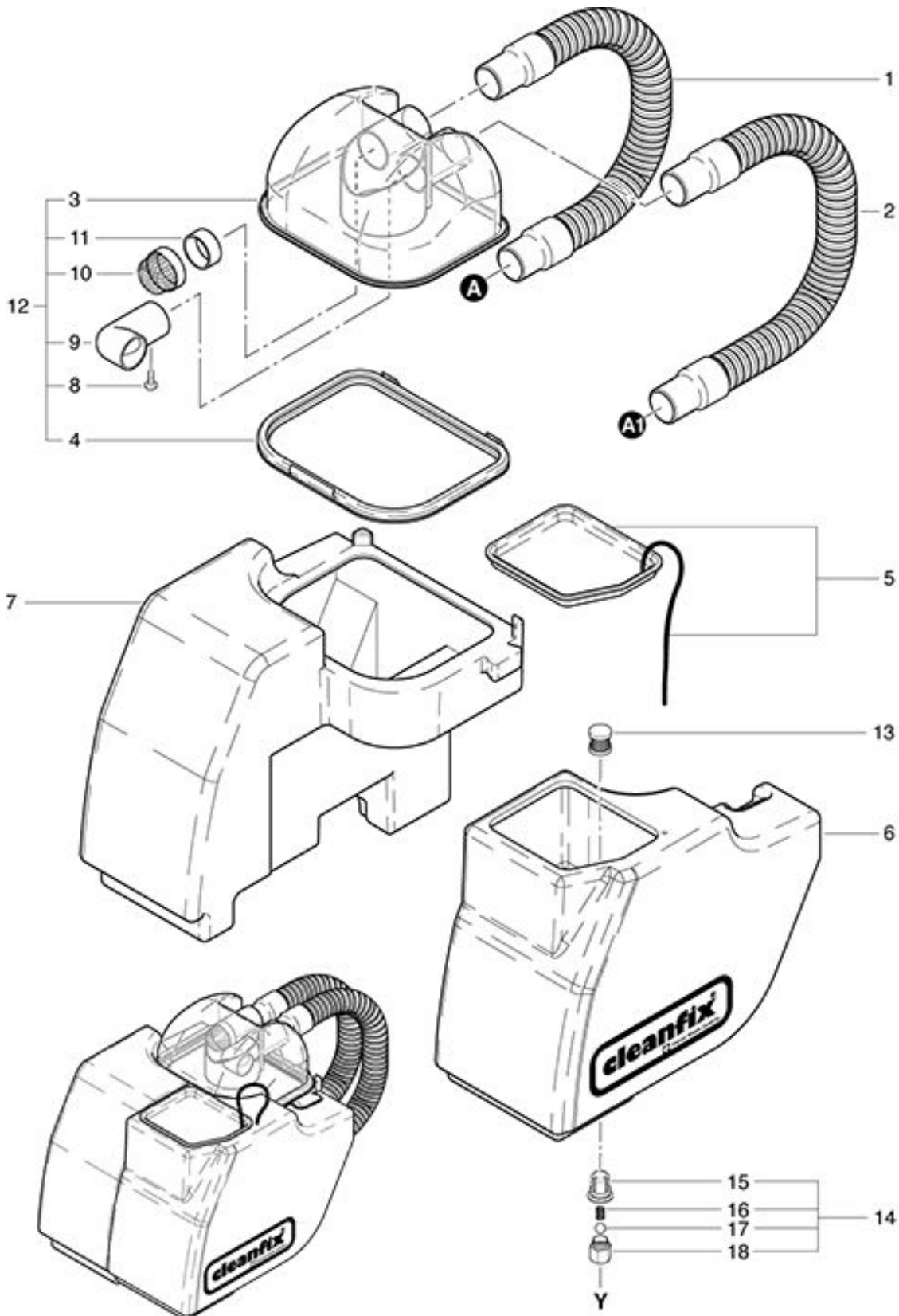
Magnetic valve-Suction motor

As at: 02/03/16 Time:02:42

Pos.	Description	Reference
01	Washer M 6	P...496 K
02	Cylindrical screw M 5x14	P...488 F
03	Battery charger 12V/17A VDE	320.090
04	Housing	320.055
05	Holder of battery charger	320.116
06	Magnetic valve 12V	P...265
07	Cable for magnetic valve with connector	320.709
08	Adapter piece	320.145
09	Angle nipple	432.091
10	Angled hose nipple	P...541 J
11	Cylindrical screw M 5x6	P...489 C
12	Motor cover	320.164
13	PT-screw KA 40x16	P...516 C
14	Water distribution block	320.166
15	Screw-in socket	320.170
16	Hexagon screw M 6x8	P...472 P
17	Suction motor 12V DC, 175W, up to masch. no. 9209/008,+pos.24,33+34 order	P...882
17a	Pair of carbon brushes	P...882 KB
18	Silicone hose 10/14x300	320.251
19	Silicone hose 10/14x125	320.252
20		P...494 J
21	PT-srew KA 40x18	P...516 G
22	Serrated lock washer M 5	P...499 C
23	Sealing ring	380.019
24	Motor sealing ring black	330.057
25	Tapping screw 3,5x9,5	P...484 N
26	Fuse carrier	320.314
27	Fuse ATO 30A	P...362 A
28	Cable for motor, black 2,5mm ² , L=240mm	320.317
29	Cable for motor, black 2,5mm ² , L=400mm	320.318
30	Thermal relay 20A	500.958
31	Protection cap E-T-A	500.957 A
32	Fuse 32V/20A	P...348
33	Fuse carrier Set	330.371
34	Transition piece	330.056
35	Hose clamp	P...206 D

RA 320 IBC
Tank cover

As at: 02/03/16 Time:02:42



RA 320 IBC

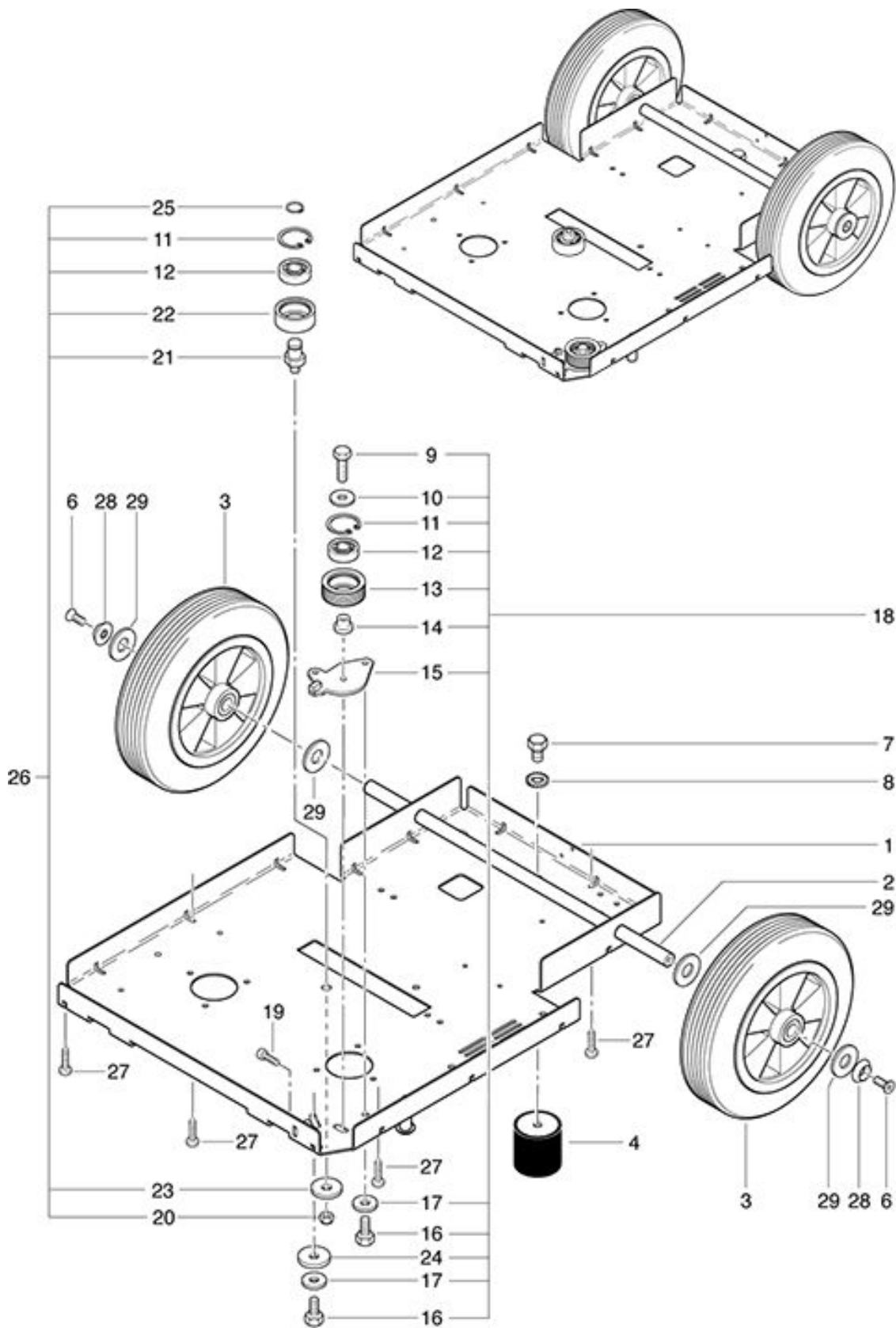
Tank cover

As at: 02/03/16 Time:02:42

Pos.	Description	Reference
01	Suction hose 475 mm	320.741
02	Hose 570 mm	320.743
03	Cover	320.513
04	Seal for cover	380.554
05	Covering compl.	320.387
06	Clean water tank compl.	320.340
07	Wastewater tank compl.	320.270
08	PT-schrew KA 30x6	P...515 Y
09	Angled fitting	380.552
10	Filter compl.	400.766 A
11	Sleeve for filter	380.556
12	Cover compl.	320.700
13	Filter screen compl. up to Masch. no. 9011	320.351
13	Filter screen compl. as from maschine no. 9012.001	320.345
14	Valve compl.	320.309
15		320.305
16		320.308
17		320.307
18		320.306

RA 320 IBC
Wheel

As at: 02/03/16 Time:02:42



RA 320 IBC

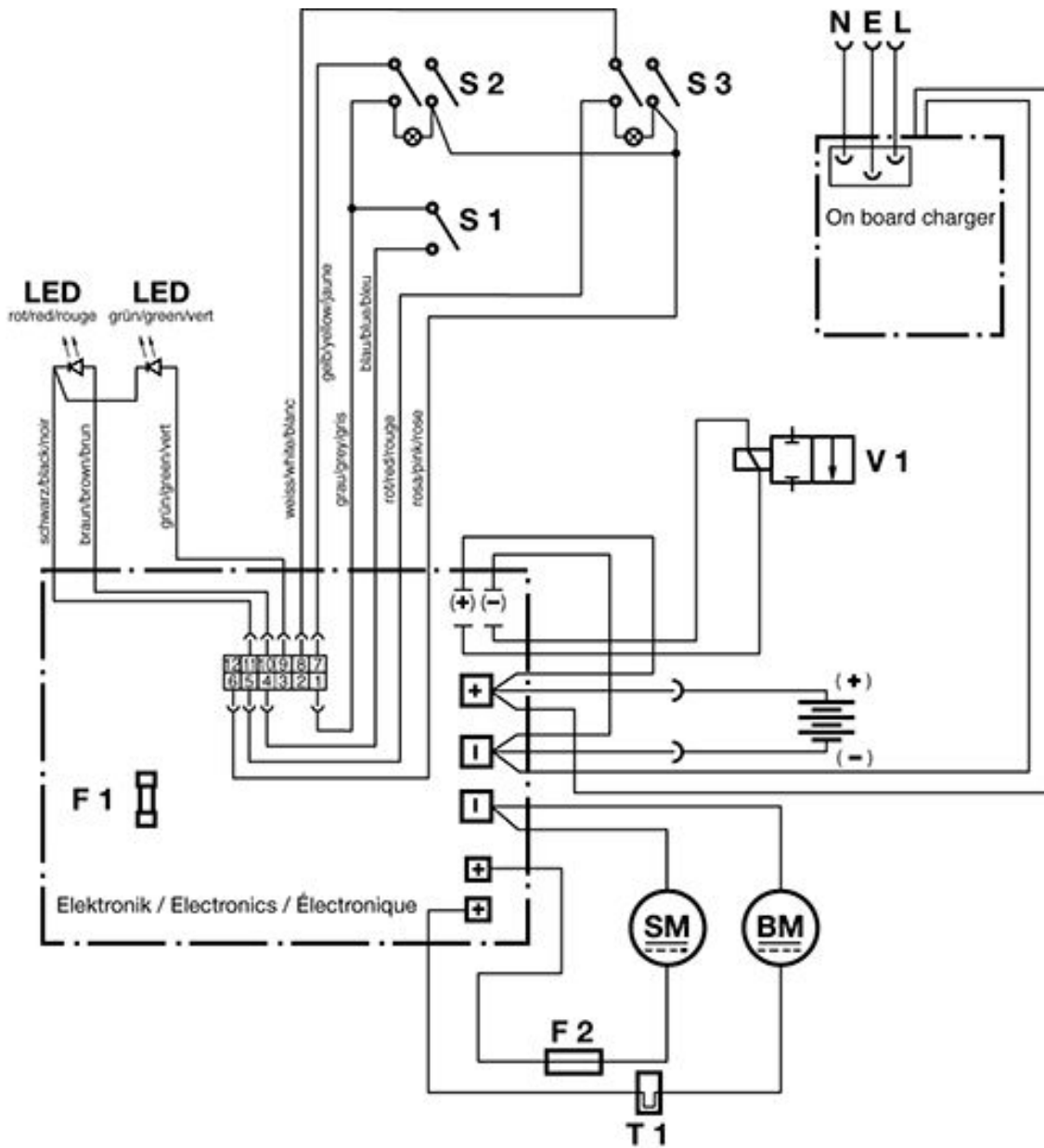
Wheel

As at: 02/03/16 Time:02:42

Pos.	Description	Reference
01	Chassis	320.111
02	Wheel axle	330.245
03	Wheel compl.	320.244
04	Round buffer	320.118
06	Countersunk screw M 6x12	P...487 U
07	Hexagon screw M 8x10	P...471 B
08	Lock washer M 8	P...498 G
09	Countersunk screw M 6x20	P...470 X
10	Washer M 6	P...496 L
11	Retaining ring DIN 472 29/1.2	P...499 GA
12	Ball bearing 6000 2RS	P...315 K
13	Pulley	320.378
14	Axle	320.162
15	Stop plate	320.161
16	Hexagon screw M 6x10	P...471 Z
17	Washer DIN 9021 M 6 6,4/18/1,6	P...497 H
18	Tension pulley pos.9-17+24	320.375
19	Hexagon socket screw M 4x14	P...486 F
20	Hexagon nut M 8	P...490 E
21	Axle journal	320.134
22	Guide pulley	320.132
23	Washer DIN 9021 M 8 8,4/24/2	P...496 Q
24	Washer DIN 522 M 6 6,4/25/1,8	P...497 Y
25	Security washer DIN 471 10/1,0	P...513 C
26	Guide pulley compl.	320.385
27	PT-srew KA 40x16	P...516 C
28	Washer M 6 18/4,8	P...500 Q
29	Attaching washer DIN 522 M 12 13/30/1,6	P...496 A

RA 320 IBC
Wiring diagram

As at: 02/03/16 Time:02:42



- S 1 = Schalter Bürstmotor / Switch for brush motor / Interrupteur pour moteur
- S 2 = Schalter Saugmotor / Suction motor switch / Interrupteur pour moteur
- S 3 = Schalter Ventil / Valve - Switch / Interrupteur pour valve
- BM = Bürstmotor / Brush motor / Moteur
- SM = Saugmotor / Moteur d'aspiration / Vacuum motor
- V 1 = Ventil / Valve
- F 1 = Sicherung 1 A / Fuse 1 A / Fusible 1 A
- F 2 = Sicherung 30 A / Fuse 30 A / Fusible 30A
- T 1 = Thermoschalter 20 A / Temperature switch 20 A

RA 320 IBC

Wiring diagram

As at: 02/03/16 Time:02:42

Pos.	Description	Reference
BM	DC-motor 12V 146W	320.121
F 1	Fuse 1A	
F 2	Fuse 40A	
S 1	Brush motor switch	P...231
S 2	Suction motor switch	P...231
S 3	Valve - switch	950.453
SM	Suction motor 12V	P...878
T 1	Temperature switch 20 A	
V 1	Valve	P...265