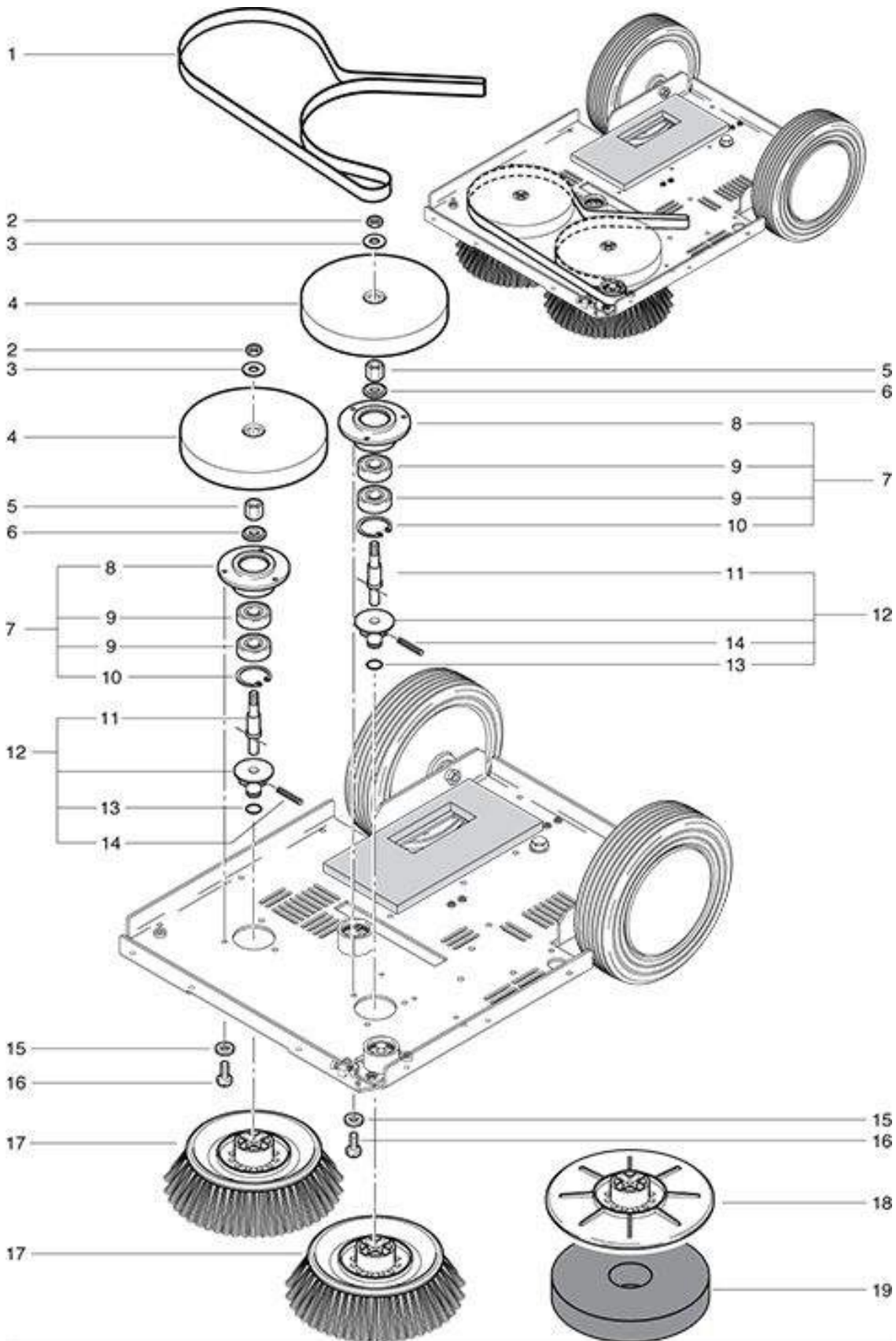


RA 300 E
Brushes

As at: 02/03/16 Time:02:14



RA 300 E

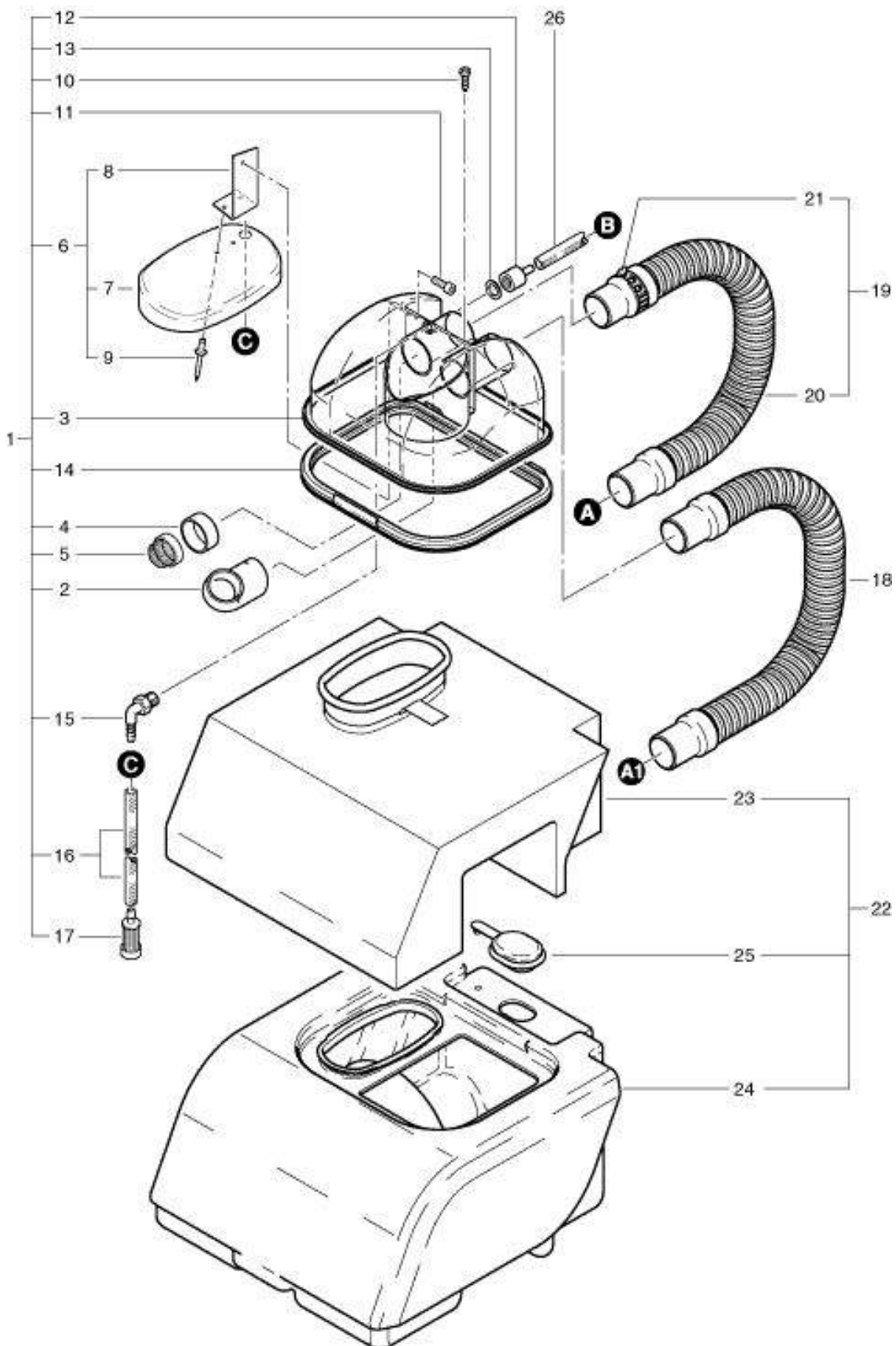
Brushes

As at: 02/03/16 Time:02:14

Pos.	Description	Reference
01	Belt	300.121
02	Hexagon nut M8	P...490 E
03	Washer M8	P...497 T
04	Wheel	300.362
05	Hub S 24x12.8 mm	300.369
06	Washer Ø 22 mm	300.352
07	Bearing housing complete - including: items 8-10	300.365
08	Bearing housing	300.366
09	Ball bearing	P...316 D
10	Retaining ring Ø 32 mm	P...514 K
11	Axle	300.116
12	Sensor compl. Pos. 11,13+14	300.370
13	O-ring 9.19x2.62 mm	P...960 U
14	Pin Ø 4x30 mm	P...512 Y
15	Washer M4	P...496 D
16	Screw M 4x8 mm	P...481 P
17	Brush Ø 165 mm	320.059
18	Driving disc - Ø 16.5 cm (Optional accessories)	300.070
19	Pad red - Ø 16.5 cm (Optional accessories)	300.010
19	Pad brown - Ø 16.5 cm (Optional accessories)	300.020

RA 300 E
Cover

As at: 02/03/16 Time:02:14



RA 300 E

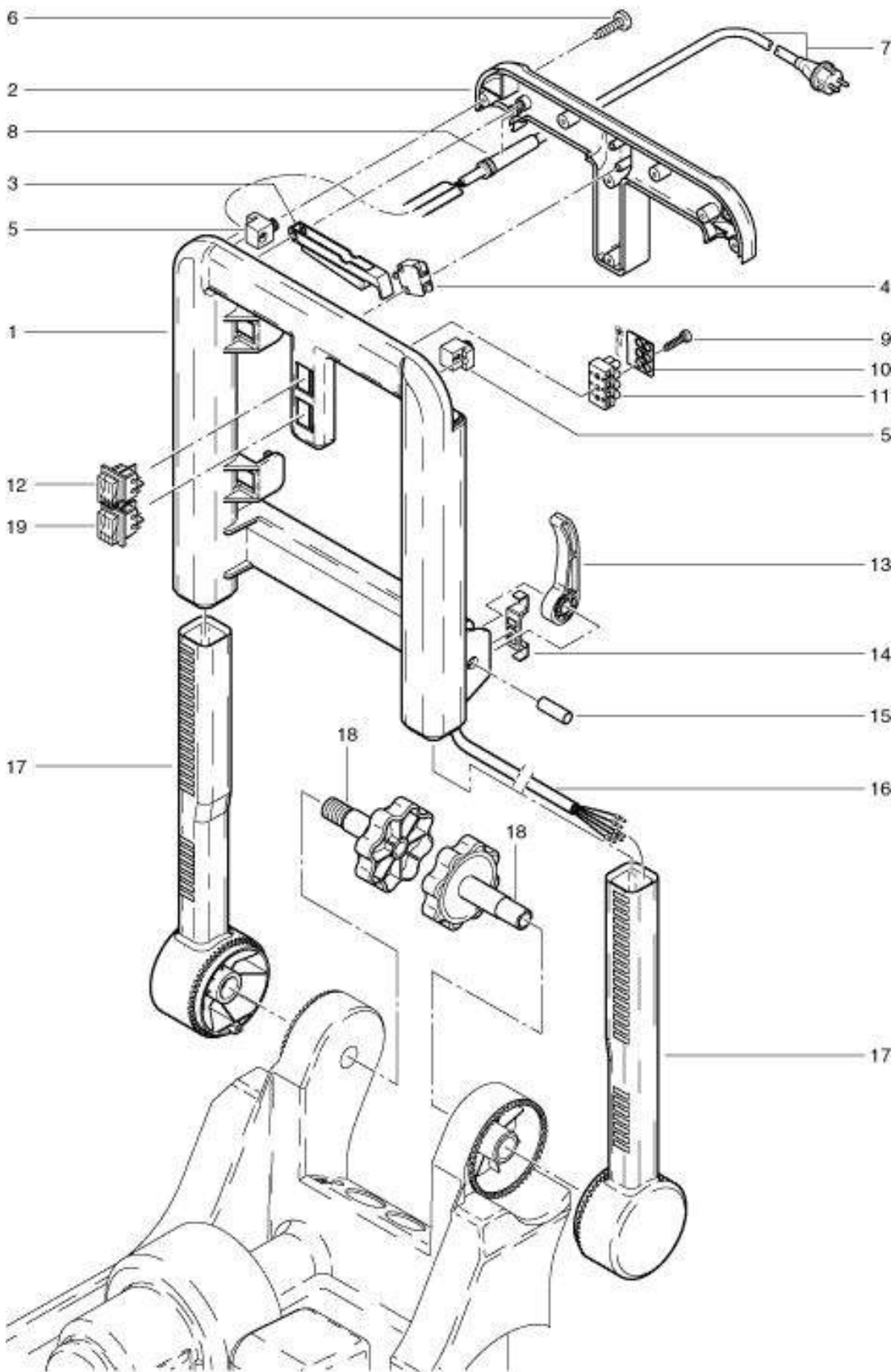
Cover

As at: 02/03/16 Time:02:14

Pos.	Description	Reference
01	Tank cover complete - including: items 2-17	300.700
02	Bent tube	380.552
03	Tank cover	380.510
04	Ring for filter	380.556
05	Filter	400.766A
06	Partition complete - including: items 7-9	300.580
07	Clean water tank cover	300.584
08	Angle	300.585
09	Blind rivet dm 4x9.5 mm	P...485 Y
10	PT screw KA 30x6	P...515 Y
11	Hexagon socket screw M 3x10	P...487 Y
12	Fitting SW22 G3/8''	380.555
13	Gasket	030.015
14	Seal for cover	380.554
15	Angled fitting G1/4''	P...541 I
16	Hose 6/12 x 250 mm	300.703
17	Fresh water filter	P...528
18	Complete hose compl.	300.743
19	Suction motor hose compl. - including: items 20+21	300.741
20	Hose	380.743
21	Air control slide	380.745
22	Tank complete - including: items 23-25	300.550
23	Fresh water tank	300.722
24	Tank	300.560
25	Cover	300.731
26	Suction hose 12/x530	300.072

RA 300 E
Handle housing

As at: 02/03/16 Time:02:14



RA 300 E

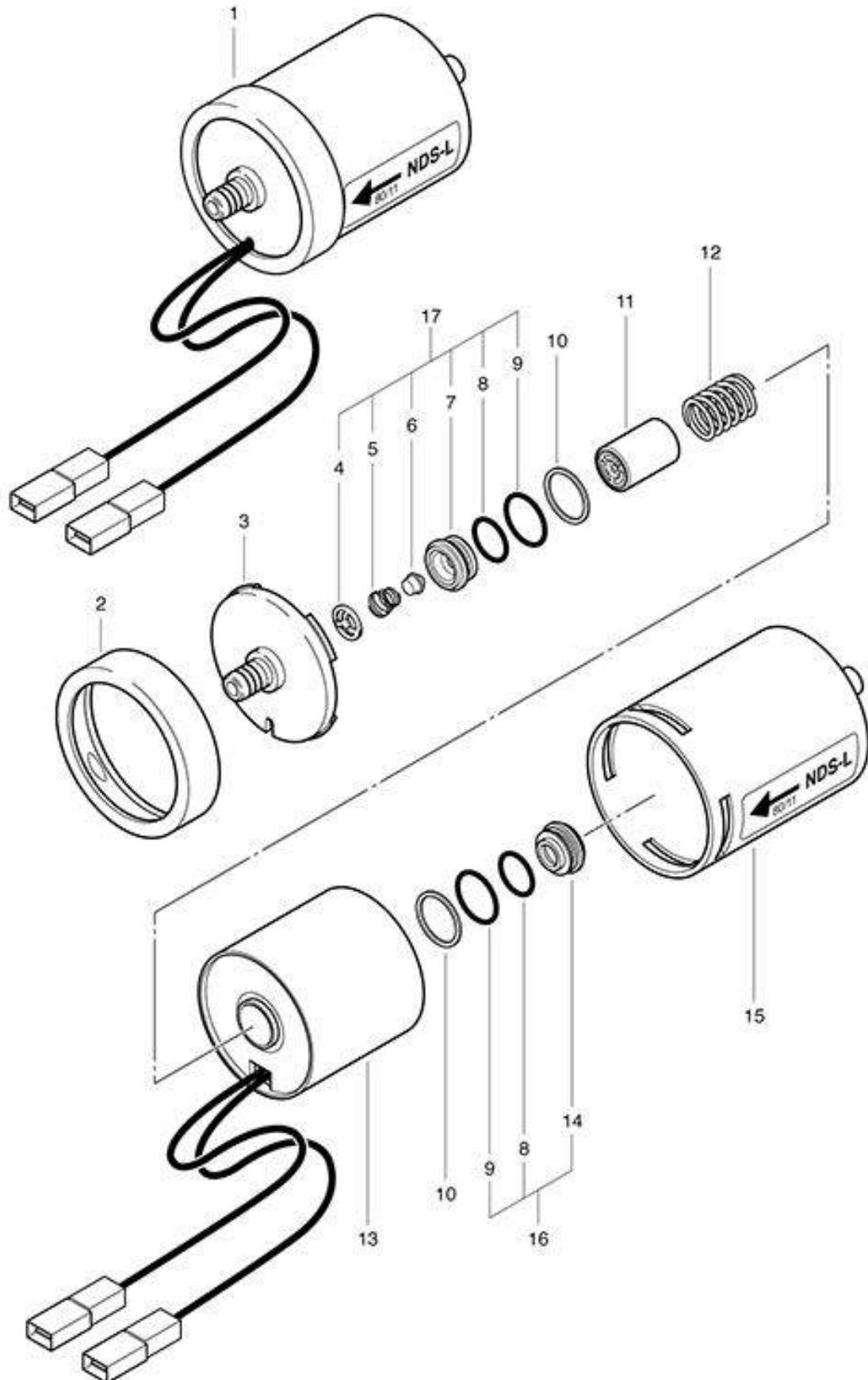
Handle housing

As at: 02/03/16 Time:02:14

Pos.	Description	Reference
01	Handle housing	300.610
02	Cover for handle	300.620
03	Controlling lever	380.267
04	Switch	950.453
05	Cable tightener	380.252
06	PT-screw KA 40x16 mm	P...516C
07	Mains cable Europe	P...276
07	Mains cable Switzerland	P...275
07	Mains cable England	P...276A
08	Cable grommet	P...280
09	screw WN 1412 KA30 x 14	P...516 S
10	Marking plate	P...394
11	Electrical terminal (4)	P...383B
12	Tumbler switch	P...240
13	Fixing lever	380.262
14	Fixing plate	380.259
15	Pin	380.265
16	Cable	300.315
17	Lower lever	300.615
18	Star handle	380.276
19	Tumbler switch	P...240H

RA 300 E Pump

As at: 02/03/16 Time:02:14



RA 300 E

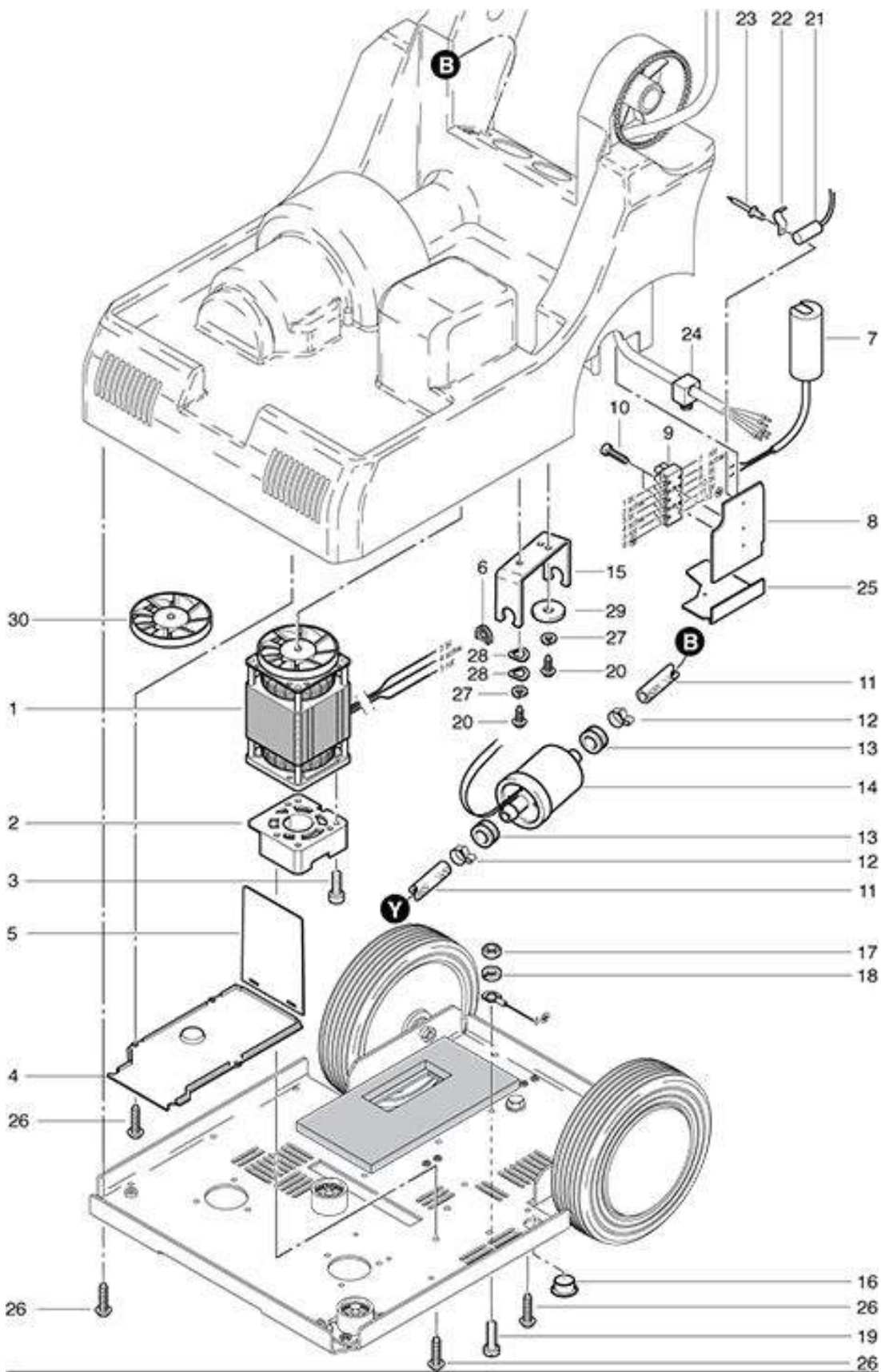
Pump

As at: 02/03/16 Time:02:14

Pos.	Description	Reference
01	NDS-L - pump 220-240V 50Hz	P...815
02	Ring	P...815 H
03	Cover	P...815 B
04	Counter ring	P...809 N
05	Valve spring	P...809 P
06	Valve cone	P...810 S
07	Valve seating	P...809 Q
08	O-ring 12x1,5 mm	P...809 L
09	O-ring 14x1,5 mm	P...809 K
10	Counter ring	P...815 X
11	Piston	P...809 B
12	Pressure spring for piston	P...809 E
13		P...815 M
14	Spring support	P...809 F
15	Raising NDS-L	P...815 A
16	Spring support compl. Including: items 8,9+14	P...810 X
17	Valve seating compl. Including: items 4-9	P...810 Y

RA 300 E
Pump assembly

As at: 02/03/16 Time:02:15



RA 300 E

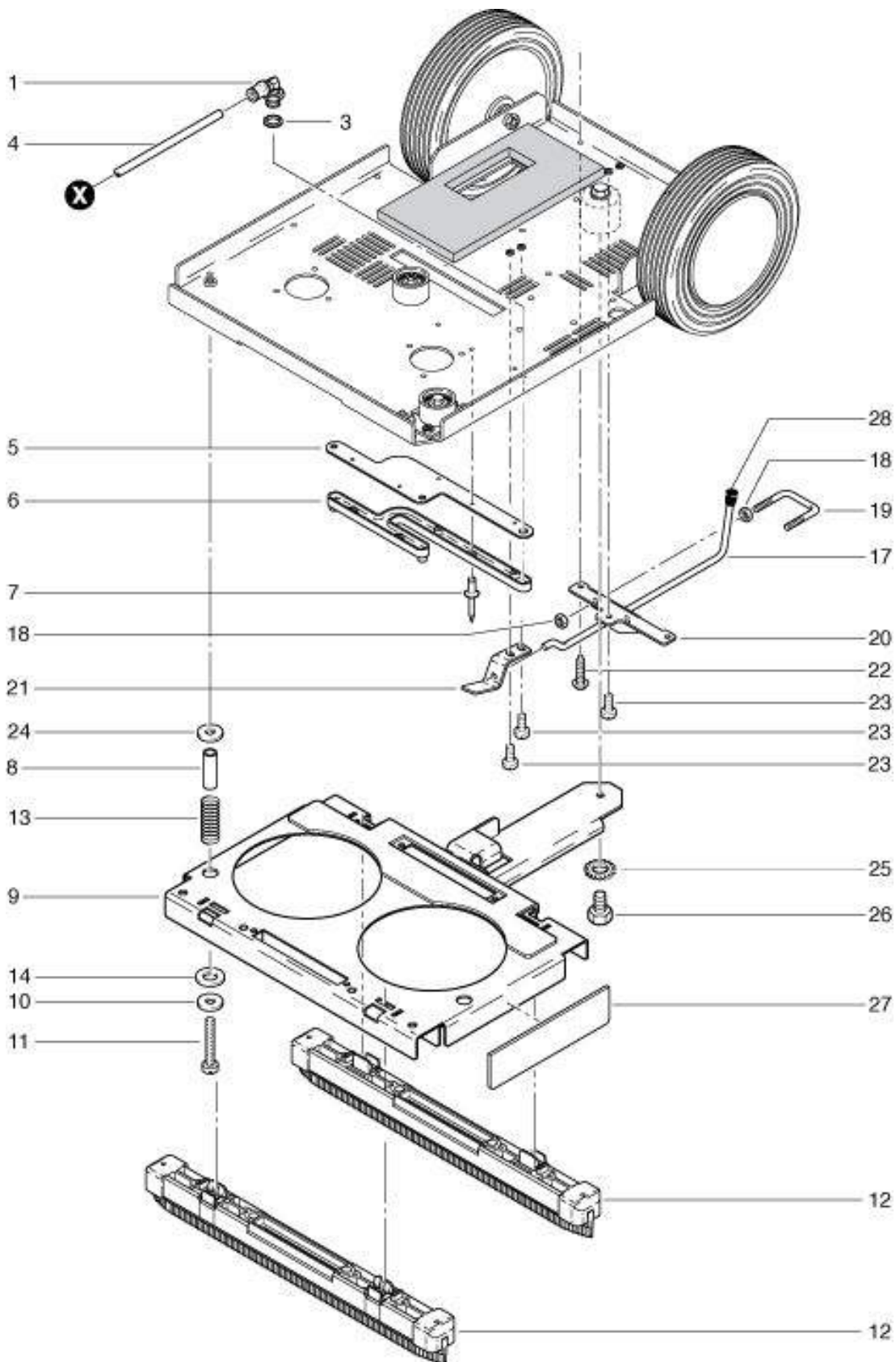
Pump assembly

As at: 02/03/16 Time:02:15

Pos.	Description	Reference
01	Brush motor	300.281
02	Motor fixing plate	300.357
03	PT-screw KA 40x16 mm	P...516 G
04	Air canal cover	300.058
05	Air canal plate	300.061
06	Rubber clamp	P...014 A
07	Capacitor 5uF	P...385 I
08	Plate for electrical terminals	380.047
09	Electrical terminal (6)	P...383 C
10	Screw KA 30x14 mm	P...516 S
11	Suction hose 12/6x530 mm	300.072
12	Hose clamp 14.5 mm	P...550 A
13	Rubber clamp	P...207 A
14	NDS-L pump	P...815
15	Pump holder	P...207 B
16	Cover	P...171 C
17	Hexagon nut M4	P...491 Q
18	Spring ring M4	P...498 A
19	Pan head screw M 4x12 mm	P...476 L
20	PT-screw KA 30x6 mm	P...515 Y
21	Capacitor 0.2uF	P...387 A
22	Holder for capacitor	P...109 C
23	Blind rivet 3x6 mm	P...485 H
24	Cable tightener	380.251
25	Cover for electrical terminals	380.048
26	PT-screw KA 40x16 mm	P...516 C
27	Spring ring M4	P...498 A
28	Spring ring M6	P...497 W
29	Washer 6/25x1.8 mm	P...497 Y
30	Vane wheel	300.281 F

RA 300 E
Suction nozzle

As at: 02/03/16 Time:02:15



RA 300 E

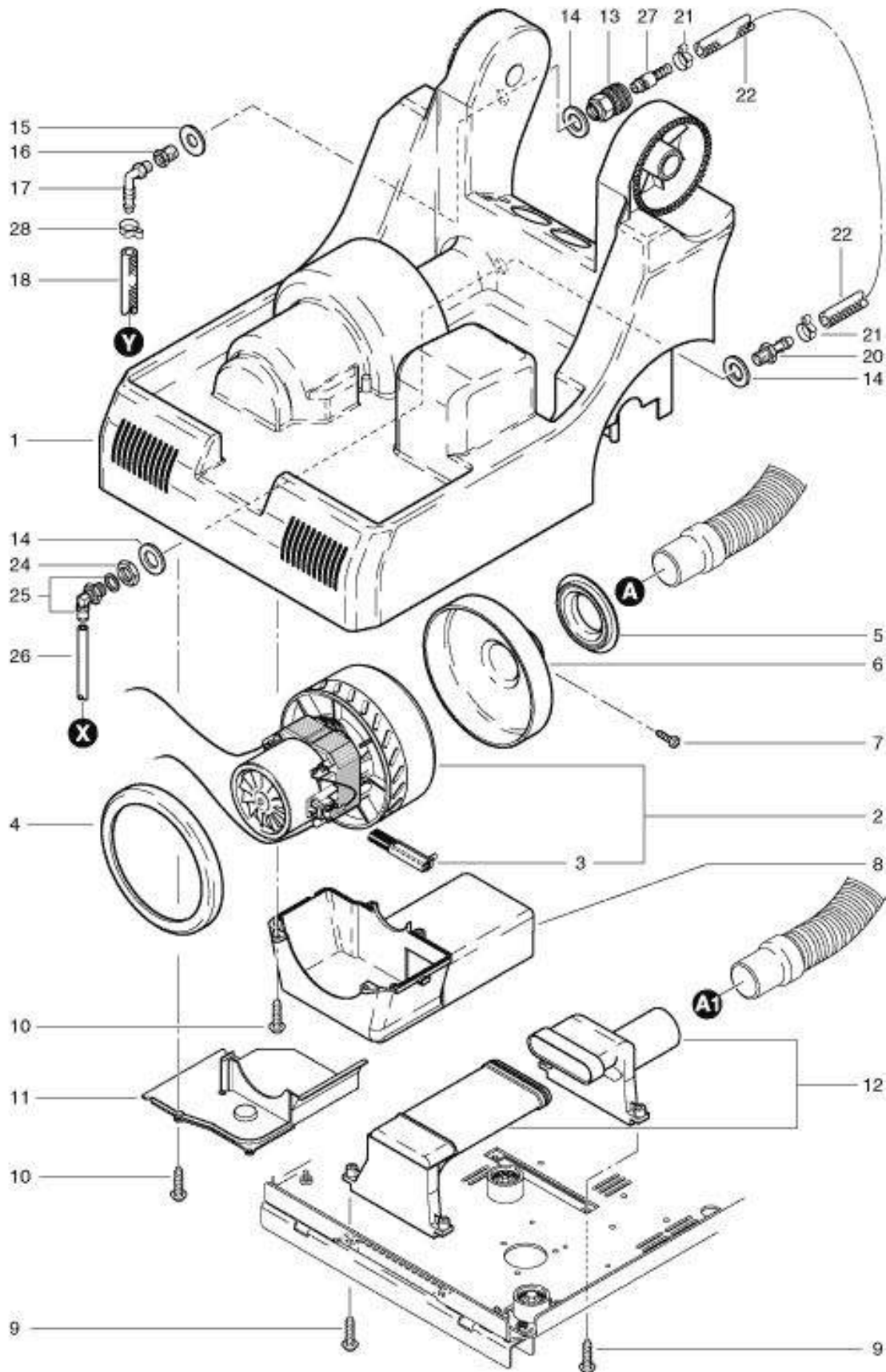
Suction nozzle

As at: 02/03/16 Time:02:15

Pos.	Description	Reference
01	Angled connector	P...533H
03	Sealing ring	P...533I
04	Connection hose 640mm	300.165
05	Water canal isolation	300.081
06	Water canal	300.022
07	Rivet 3.2x16.2mm	P...485B
08	Guide sleeve	300.435
09	Suction nozzle holder compl.	300.405
10	Washer M6	P...497W
11	Screw M6x40	P...486 Y
12	Suction nozzle complete	300.420
13	Compression spring	700.171
14	Washer DIN 125 A M 10 10,5/20/2	P...496 T
17	Lever	300.416
18	Hexagon nut M6	P...490D
19	Protection of lever	300.411
20	Rear guiding holder for lever	300.413
21	Front guiding holder for lever	301.415
22	PT-screw KA40x16	P...516C
23	Screw M4x8	P...481P
24	Washer M 6	P...496L
25	Serrated lock washer M8	P...498G
26	Hexagon screw M8x10	P...471B
27	Splash protection	300.312
28	Cap black	P...170K

RA 300 E
Vaccum motor

As at: 02/03/16 Time:02:15



RA 300 E

Vaccum motor

As at: 02/03/16 Time:02:15

Pos.	Description	Reference
01	Chassis cover	300.052
02	Suction motor	P...870C
03	Pair of Charbon brushes	P...870KB
04	Motor sealing ring	P...971C
05	Sealing ring	380.019
06	Hose connection cap	380.021
07	Screw 2.9x9.5 mm	P...483H
08	Motor cover	380.017
09	PT-screw KA 50x16 mm	P...515Z
10	PT-screw KA 40x18 mm	P...516C
11	Air canal cover	380.022
12	Air canal compl.	300.410
13	Coupling	380.045
14	Security ring	P...098
15	Washer M12	P...496A
16	Reducer	P...521E
17	Angled connector	P...541R
18	Pressure hose 6/12x420 mm	300.178
20	Connecting nippel	300.088
21	Hose clamp 14.5 mm	P...550A
22	Connection hose 250 mm	300.172
24	Hexagon nut 3/8« «	P...535B
25	Angled connector	P...533C
26	Connection hose 640 mm	300.165
27	Straight nipple with reducer	300.085
28	Hose clamp 13.3 mm	P...550I

RA 300 E

Wheel

As at: 02/03/16 Time:02:15

Pos.	Description	Reference
01	Bottom plate	300.111
02	Wheel	380.135
03	Distance piece	380.137
04	Washer M8	P...496Q
05	Screw DIN 912 M 8x60 mm	P...487 Fa
06	Wheel cover	300.242
07	Isolation	300.065
08	Hexagon screw M 8x10 mm	P...471B
09	Serrated lock washer M8	P...498G
10	Round buffer	300.118
11	Idler pulley compl. - including: items 12-20	300.375
12	Washer M6	P...496L
13	Retaining ring dm 28 mm	P...499G
14	Ball bearing	P...316J
15	Pulley compl.	300.375
16	Bearing pin d 18/12x14.7 mm	300.377
17	Fixation for pulley	300.161
18	Hexagon screw M 6x20 mm	P...472T
19	Serrated lock washer M6	P...499D
20	Hexagon screw M 6x12 mm	P...472R
21	Guide pulley - including: items 22-24	300.385
22	Bearing pin	300.388
23	Screw M 6x30 mm	P...481G
24	Stop nut M6	P...493K
25	Hexagon socket screw M 4x14 mm	P...486F
26	holder for pulley	300.387
27	Rivet 3.2x12 mm	P...485B
28		300.243