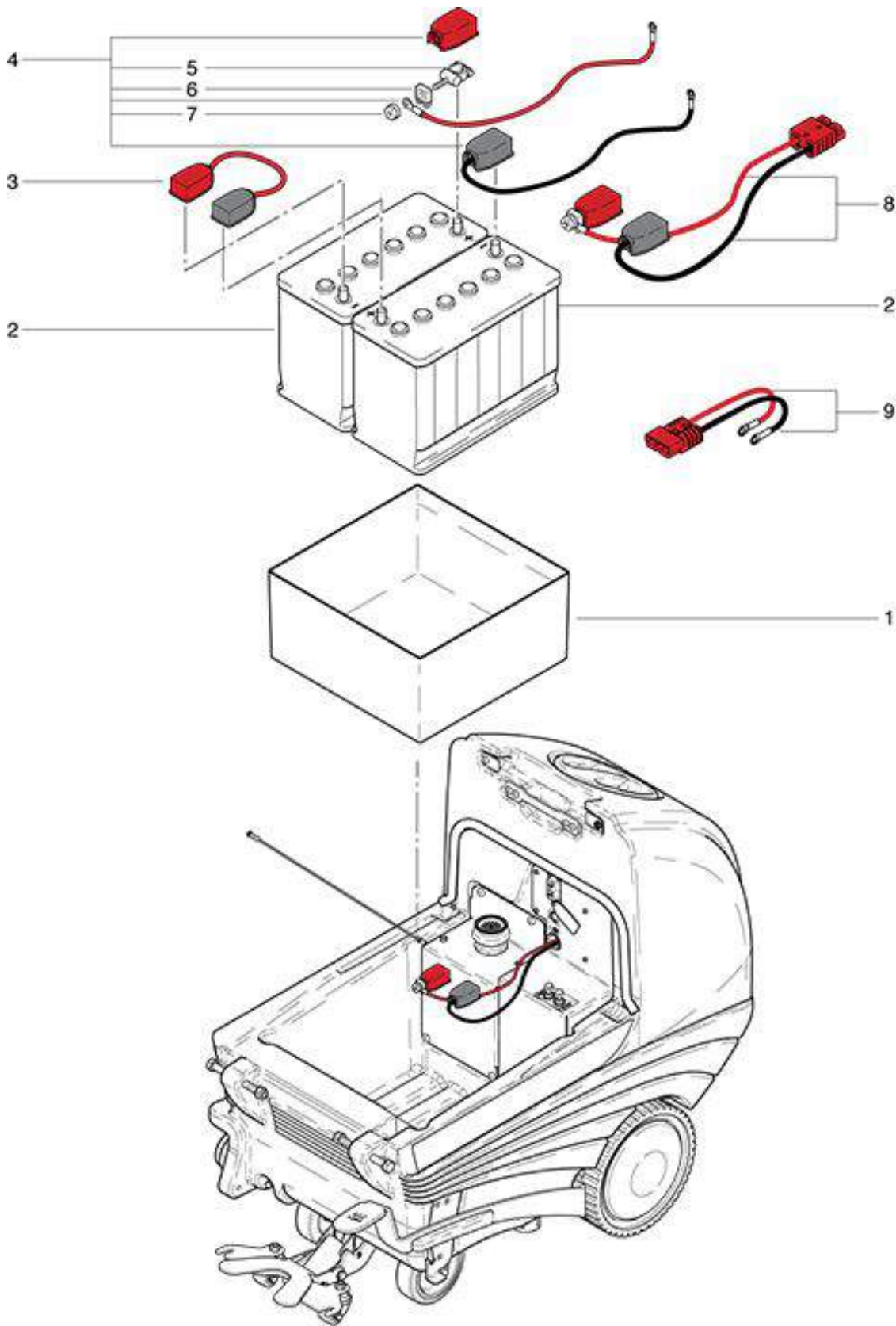


RA 505 IBC Batterie

As at: 02/03/16 Time:03:15



RA 505 IBC

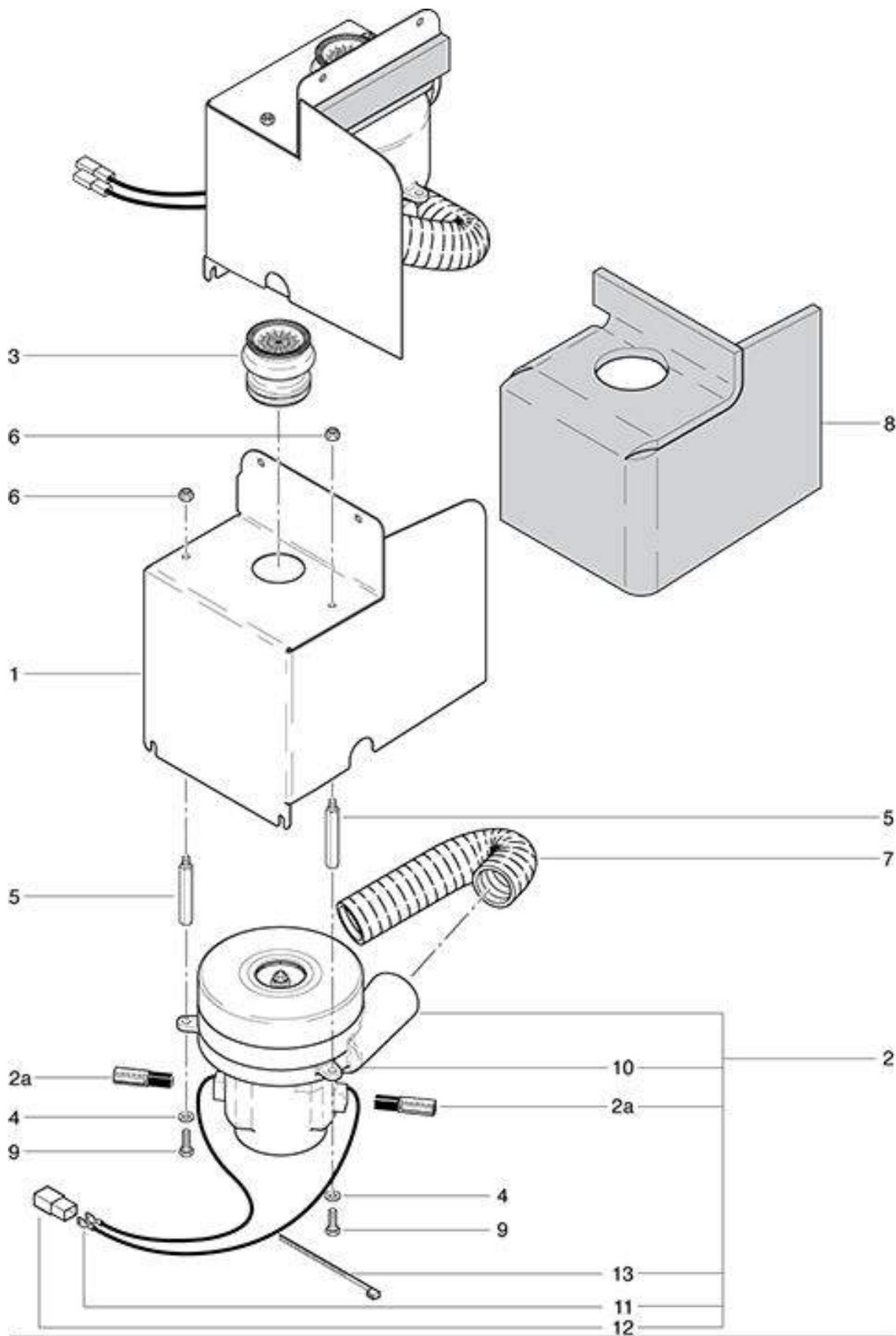
Batterie

As at: 02/03/16 Time:03:15

Pos.	Description	Reference
01	Drain tray	565.494
02	Set of Gel batteries 2x12V/105AH	530.091
03	Batterie connecting cable 10 mm ² , L=200 mm up to machine no. 9137-006	436.985
04	Battery cable tree of compl. inclusive pos. 5,6+7 up to machine no. 9137-006	565.258
05	Battery clamp 1-polig	P...357 E
06	Fuse CF8, 75 A	560.710
07	Isolating nut/mother for CF8	710.353
08	Battery cable including fuse 75A IBC as from machine no. 9137-007	436.983
09	Battery charger as from machine no. 9137-007	565.255

RA 505 IBC
Blower box

As at: 02/03/16 Time:03:15



RA 505 IBC

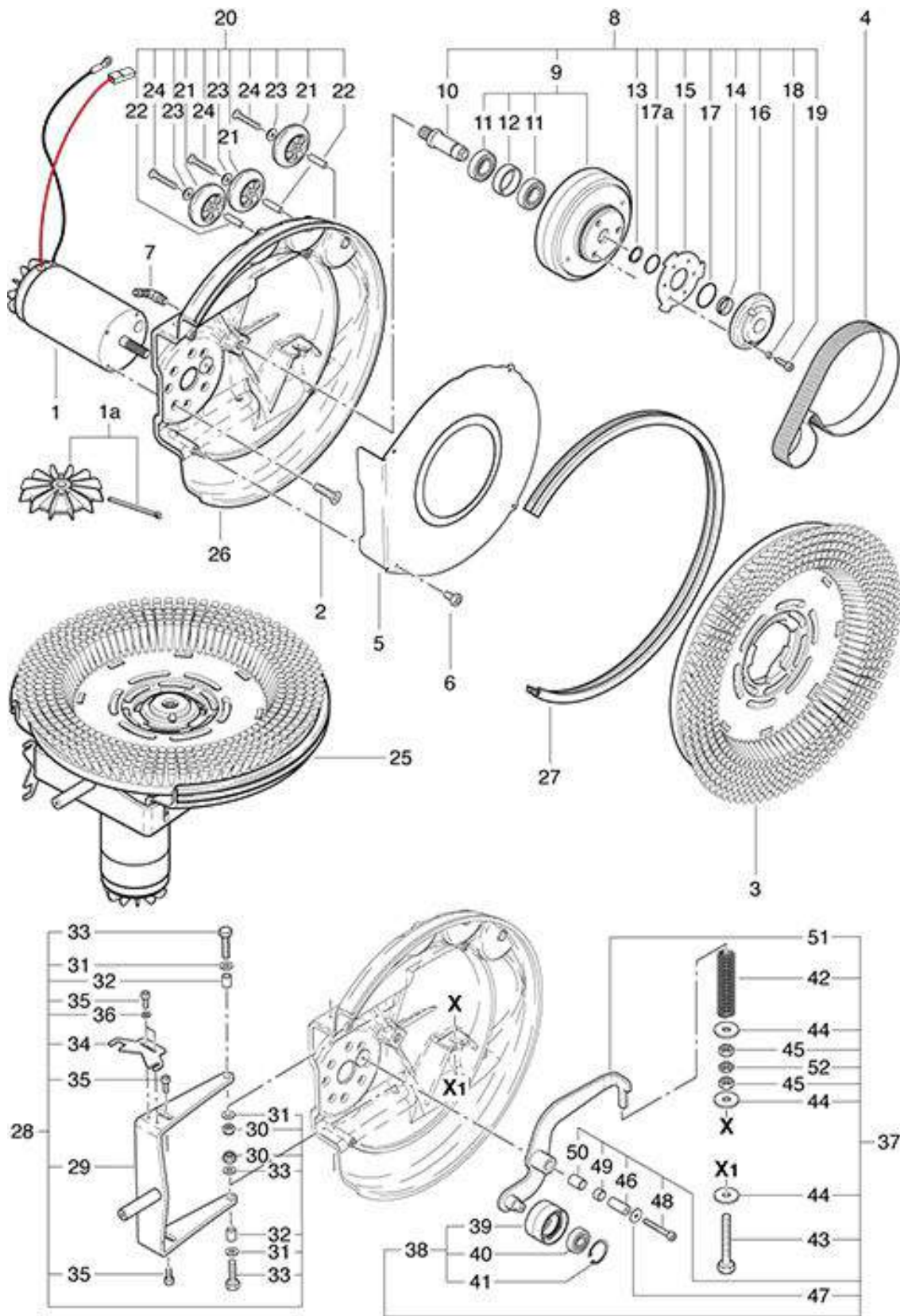
Blower box

As at: 02/03/16 Time:03:15

Pos.	Description	Reference
01	Cover for suction motor	565.671
02	Vacuum motor 24V / 400W compl.	440.207
02a	Pair of carbon brushes	P...870 KB
03	Piston seal for suction motor	565.672
04	Washer DIN 125-A M6 6,4/12/1,6	P...496 K
05	Spacer BN 3318 M6 x 60	P...484 UD
06	Nut DIN 934 M 6 A2	P...491 E
07	Isolation hose per meter	400.223
08	Sound insulation	565.673
09	Screw DIN 933 M 6x20	P...470 X
10	Moteur d'aspiration 24V / 400W	440.206
11	Push-on connector 6,3 x 0,8	P...401 E
12	Flat pin plug 6,3 2-pole	P...818 E
13	Cable tie 4,8x200 mm	P...609

RA 505 IBC
Brush head

As at: 02/03/16 Time:03:16



RA 505 IBC

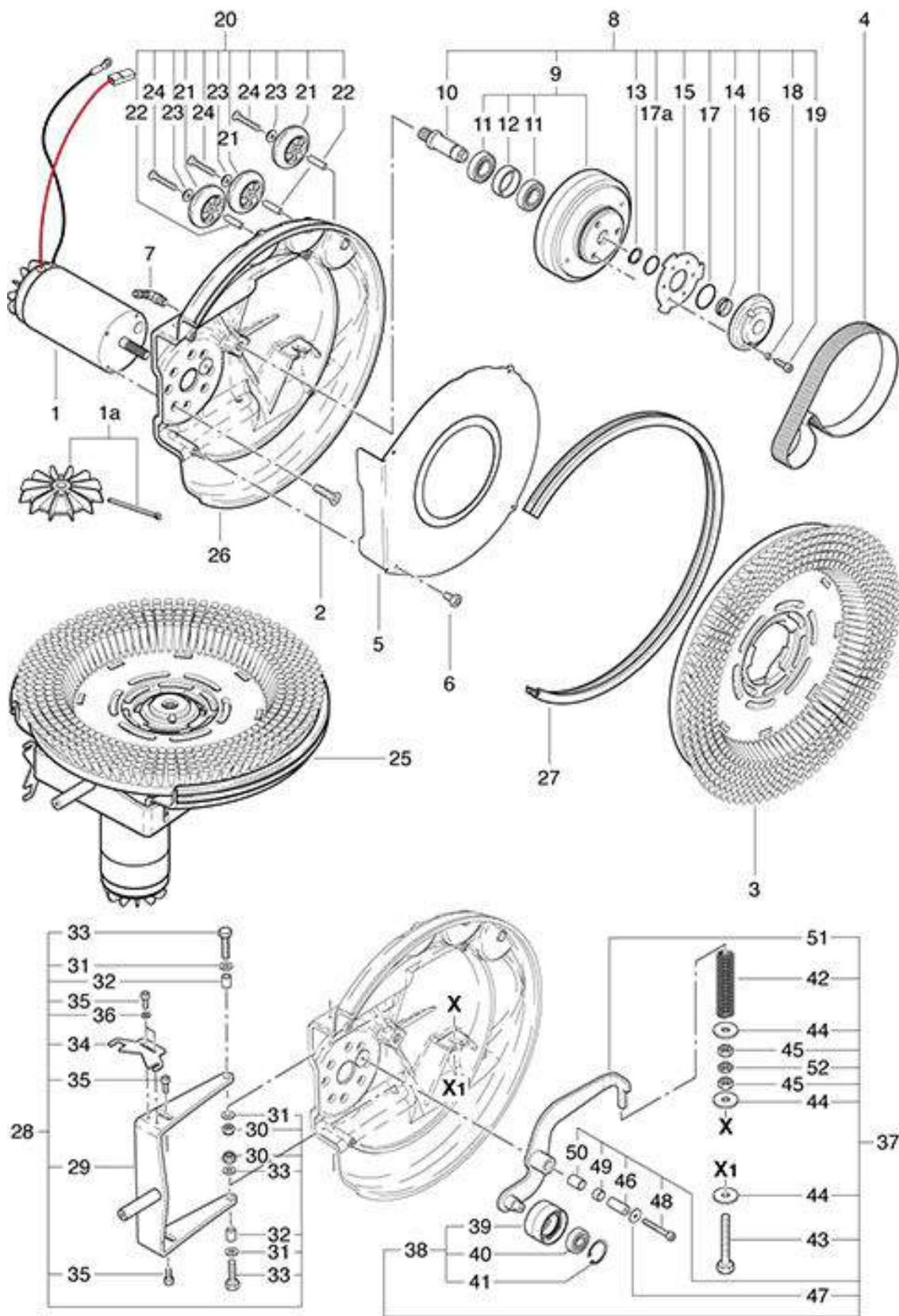
Brush head

As at: 02/03/16 Time:03:16

Pos.	Description	Reference
01	Motor 24V DC 600W including 1a	555.591
01a	Impeller Brush motor	565.593
02	Screw DIN 7991 M 8x20	P...479 RA
03	Brush PPN 0,6 Ø 51cm	730.059
04	Poly-V belt 15-PF-864mm Lw	6390520
05	Cover	555.595
06	Screw DIN 7985 M5x8	P...476 AC
07	Nipple 10/R 1/4"	P...541 J
08	Belt wheel compl.	555.124
09	Belt wheel	742.130
10	Bearing pin	555.592
11	Ball bearing 6205 2RS	P...316 P
12	Washer 15mm	3611851
13	Ring seal DIN 471 25/1,2	P...513 D
14	V-seal ring	P...343 A
15	Star wheel	742.141
16	Brush support	742.128
17	O-Ring 42,52x2,62 EPDM	P...964 B
17a	O-Ring 55,25x2,62 EPDM	P...964 A
18	Distance piece	742.129
19	Screw DIN 912 M6 x 20 A2	P...487 S
20	Distance roll assy.	555.580
21	Castor Ø 75	555.510
22	Socket	555.589
23	Washer SN 213912 M6 18/4,8	P...500 Q
24	Screw DIN 7991 M6x40	P...479 NA
25	Brush head compl.	555.500
26	Machined cast iron head	555.585
27	Buffer	555.598

RA 505 IBC
Brush head-a

As at: 02/03/16 Time:03:16



RA 505 IBC

Brush head-a

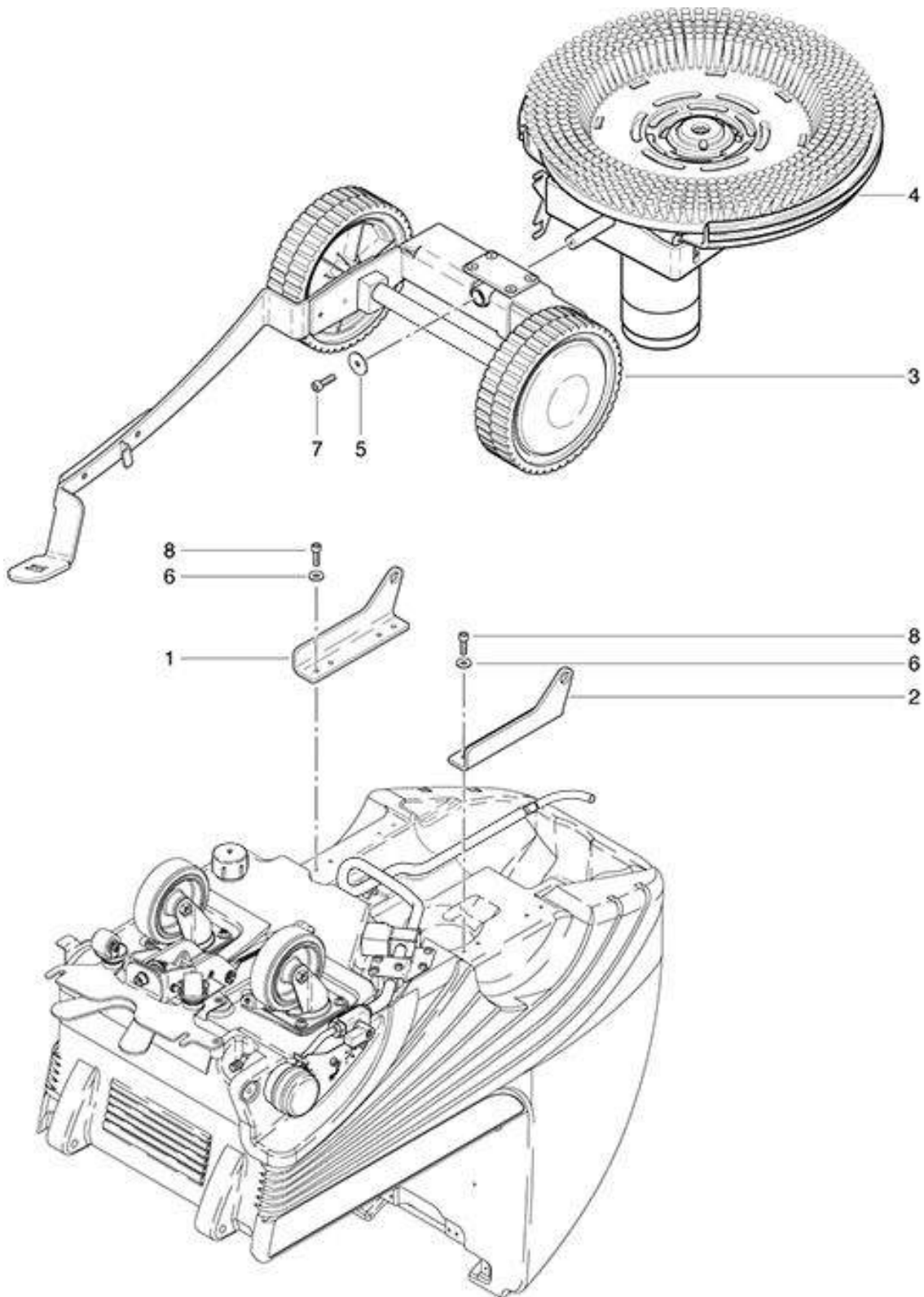
As at: 02/03/16 Time:03:16

Pos.	Description	Reference
28	attachment brush head	555.550
29	Fork assy.	555.596
30	Nut DIN 985 M8	P...492 H
31	Washer DIN 125-A M8 8,4/16/1,6	P...496 P
32	bushing for fork	555.597
33	Screw DIN 933 M8 x 30 A2	P...473 G
34	comb	555.599
35	Screw DIN 912 M6 x 12	P...486 Q
36	Washer DIN 125-A M6 6,4/12/1,6	P...496 K
37	Belt tension compl.	555.600
38	Tension pulley compl.	742.116
39	Tension pulley	742.117
40	Ball bearing	P...316 O
41	Ring DIN 472 45,5/27,9/2	P...513 G
42	Languette de pression 2/4/76	565.516
43	Screw DIN 933 M 10x80	P...471 Y
44	Washer DIN 9021 M10 10,5/30/2,5	P...496 S
45	Nut DIN 934 M10	P...491 N
46	Cartridge	555.588
47	Washer DIN 522 M6 6,4/25/1,5 A2	P...510 L
48	Screw DIN 912 M6 x 50 with piston	P...488 M
49	Floating bearing d16 GSM-1618-12	P...316 G
50	Floating bearing d16 GSM 1618-12	P...316 T
51	Tension lever	555.594
52	Nut DIN 439 D, M 10x0,50	P...491 R

RA 505 IBC

Chassis assembly brush head

As at: 02/03/16 Time:03:16



RA 505 IBC

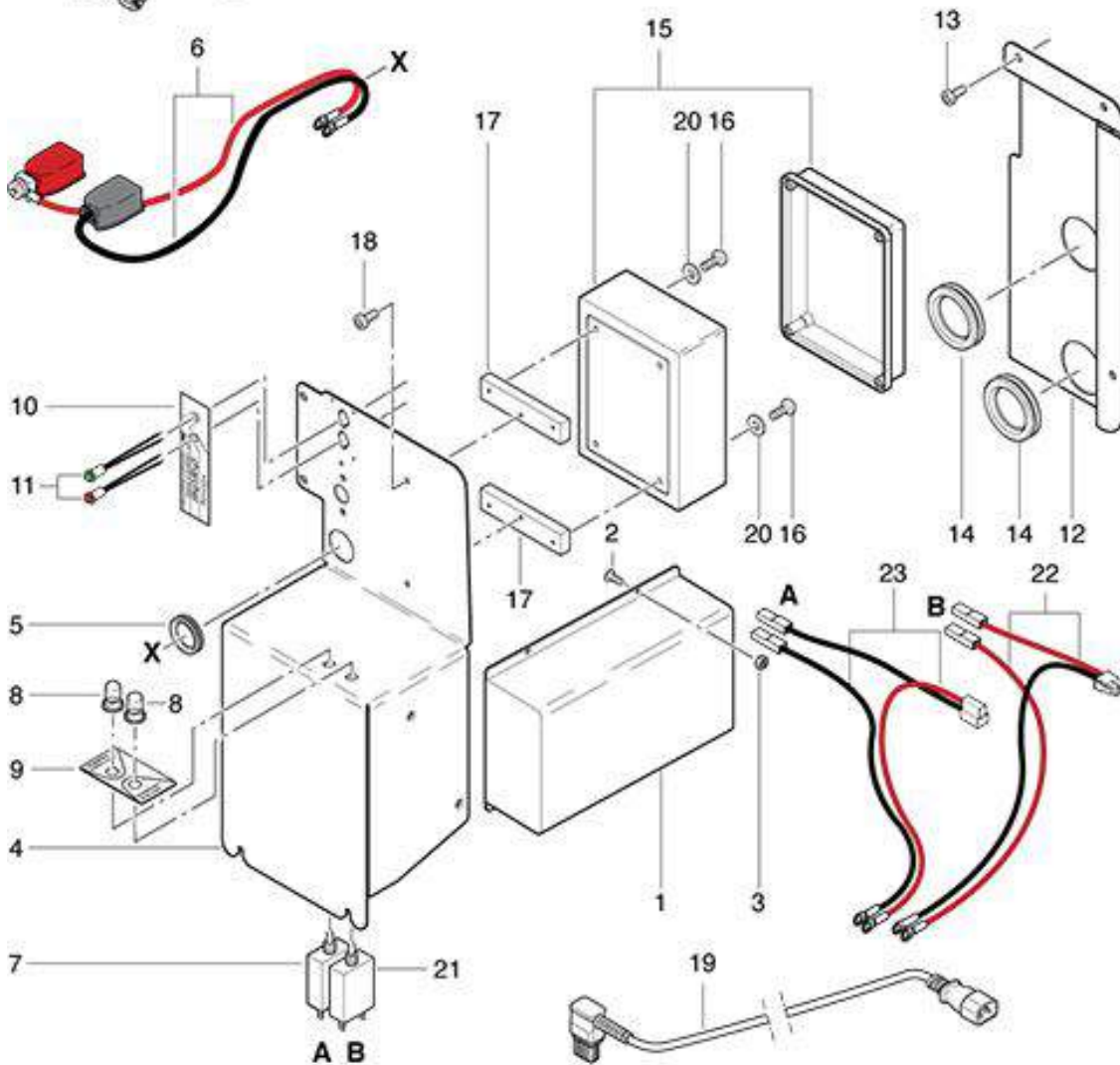
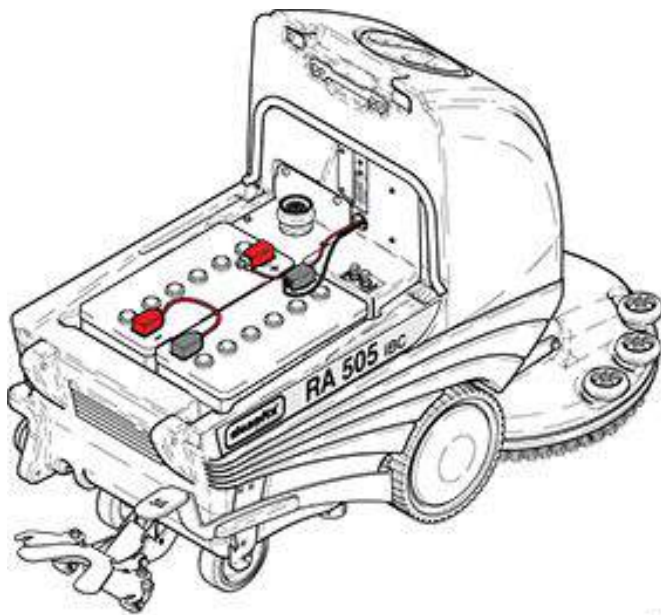
Chassis assembly brush head

As at: 02/03/16 Time:03:16

Pos.	Description	Reference
01	Bar right	565.453
02	Bar left	565.462
03	Lift mechanism	555.320
04	Brushhead compl.	555.500
05	Washer DIN 522 M8 8,4/35/2,5	P...496 PA
06	Screw DIN 127 B M6 6,1/11,8/1,6	P...498 U
07	Screw DIN 912 M8 x 20	P...487 B
08	Screw DIN 912 M6 x 22	P...486 X

RA 505 IBC Control

As at: 02/03/16 Time:03:16



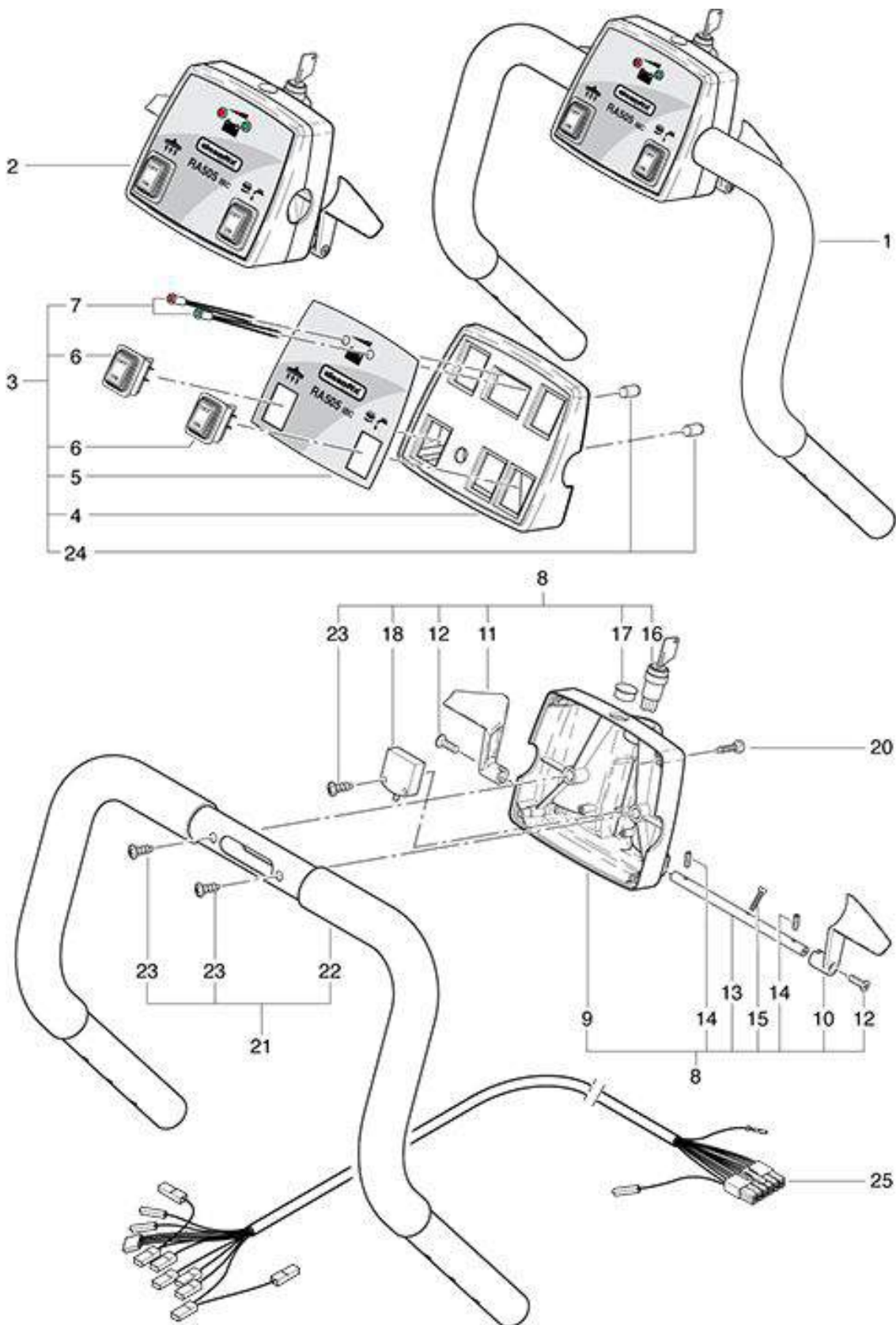
RA 505 IBC Control

As at: 02/03/16 Time:03:16

Pos.	Description	Reference
01	Charger 24V/12A	555.497
02	Screw DIN 965 M4 x 10	P...479 B
03	Nut DIN 934 M4	P...490 B
04	Cover for control	565.498
05	Membrane socket	565.499
06	Battery cable tree of compl. up to machine no. 9137-006	565.258
07	Protect switch 2-5700-P10	500.957
08	Protection cover	500.957A
09	Sticker for protect switch	565.485
10	covering adhesive	555.493
11	LED	555.498
12	Metal plate ELG2415	565.486
13	Screw DIN 7985 M 5x8	P...476 AC
14	Membrane socket	565.447
15	Electronic box compl. 3G.	436.770B
16	Screw DIN 912 M 4x12	P...486 A
17	Adapter	555.496
18	Screw DIN 912 M5 x 10	P...489 E
19	Cable harness	565.489
20	Washer DIN 9021 M 4 4,3/12/1	P...496 C
21	Protect switch 30 A	500.959
22	Cable for brush motor	555.587
23	Aspirated engine wiring harness	565.674

RA 505 IBC
Control unit

As at: 02/03/16 Time:03:16



RA 505 IBC

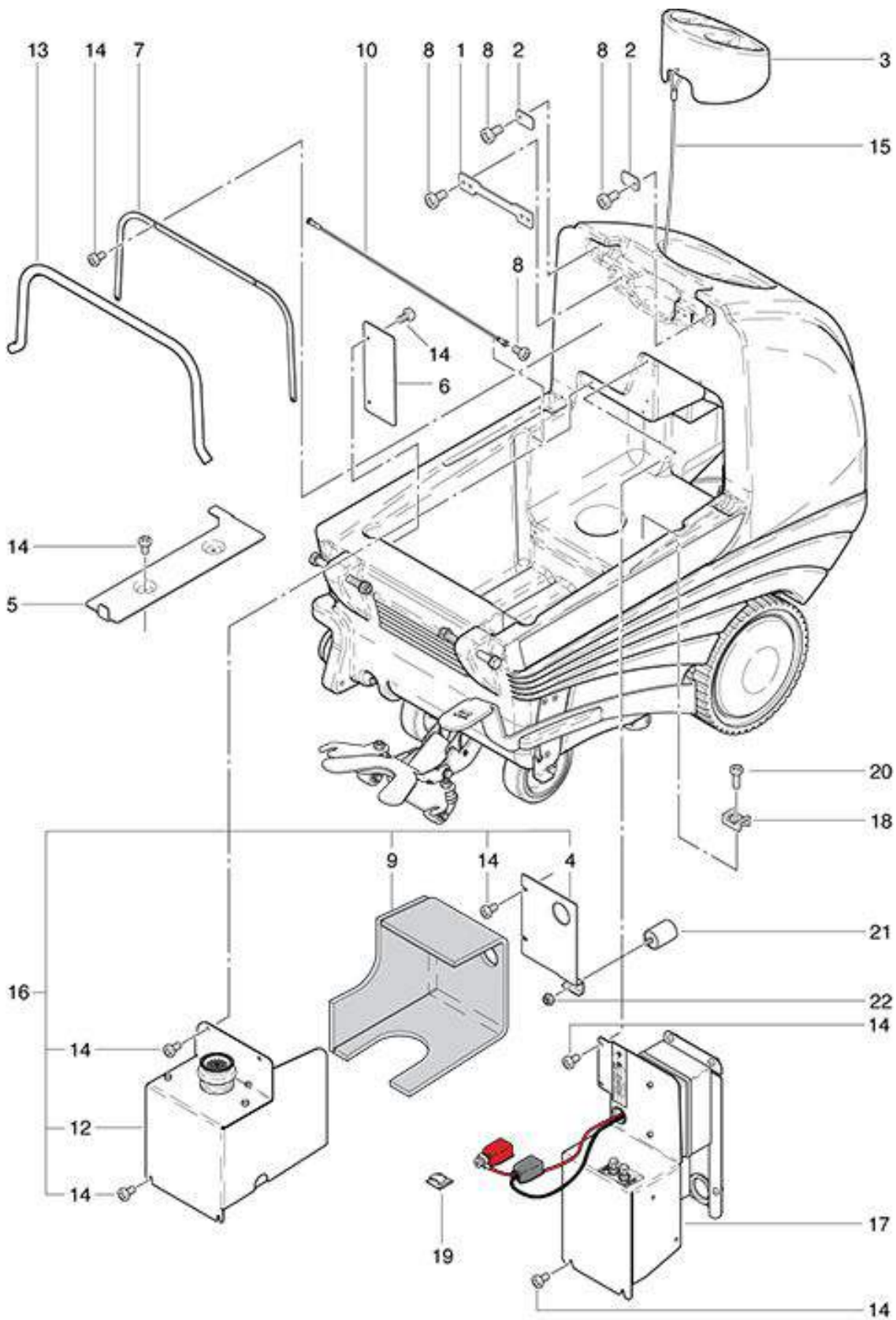
Control unit

As at: 02/03/16 Time:03:16

Pos.	Description	Reference
01	Binder compl.	555.210
02	Control panel compl.	555.220
03	Control panel upper part	555.224
04	Control panel front part	701.221
05	Foil	555.227
06	Switch white 24V	P...241
07	Set LED red, green 2.1V Ø 5 mm	P...415
08	Control panel base part	555.225
09	Control panel base part	701.222
10	Start lever right	701.223
11	Start lever left	701.224
12	Screw DIN 965 M 4x10	P...479 B
13	Axle	701.225
14	Brad DIN 427 M 4x8	P...484 DA
15	Screw DIN 85 A M 4x20 A2	P...475 F
16	Key-switch	560.361
17	Cover Ø 22	P...171 L
18	Security switch XP 52	710.323
20	Screw WN 1411 KA 30x12	P...516 E
21	Binder compl.	565.215
22	Binder	565.211
23	Screw WN 1411 KA40 x 8	P...515 W
24	Brad DIN 7 8 x 15	P...514 I
25	Cable harness	555.228

RA 505 IBC
Control unit vacuum motor

As at: 02/03/16 Time:03:16



RA 505 IBC

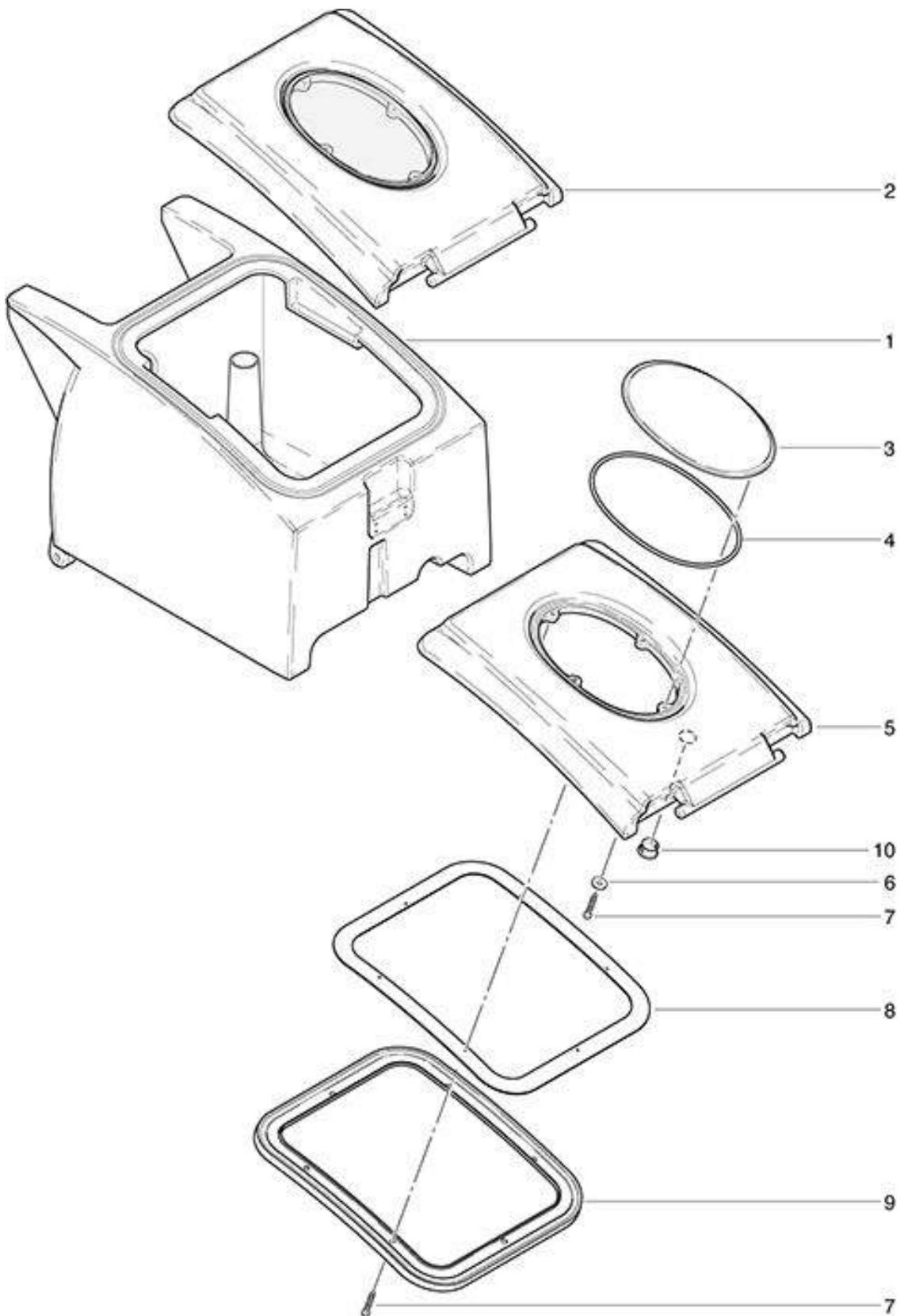
Control unit vacuum motor

As at: 02/03/16 Time:03:16

Pos.	Description	Reference
01	Counter plate	565.468
02	Clamp metal plate	565.467
03	Measuring cup	565.466
04	Chicane air outlet	565.482
05	Cover for cables	565.473
06	Cover	565.472
07	Piston seal bow	565.469
08	Screw DIN 7985 M 6x10	P...476 Q
09	Sound insulation	565.483
10	Pull rope	565.471
12	Vacuumbbox compl.	565.670
13	Hose 740mm	565.470
14	Screw DIN 7985 M 5x8	P...476 AC
15	Rope for Measuring cup	565.464
16	Vacuum motor	565.480
17	Control unit	555.490
18	Support for cable tie	125.111
19	Support for cable	P...360
20	Screw DIN 7985 M 5x8	P...476 AC
21	Buffer 20x30mm M6 Typ B	400.214
22	Nut DIN 985 M6 A2	P...492 K

RA 505 IBC
Cover waste water tank

As at: 02/03/16 Time:03:16



RA 505 IBC

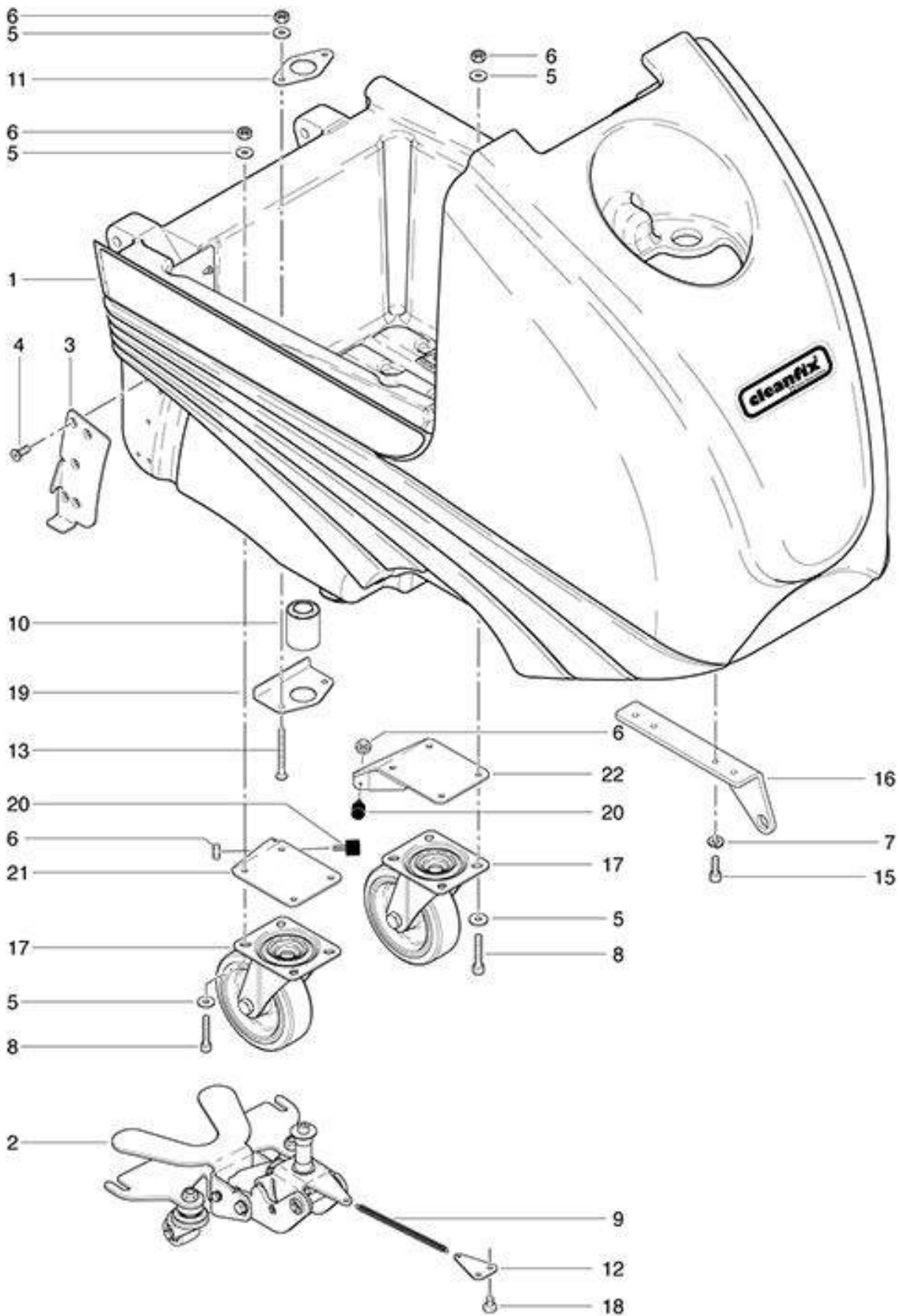
Cover waste water tank

As at: 02/03/16 Time:03:16

Pos.	Description	Reference
01	Waste water tank complete	565.655
02	Cover waste water tank	565.120
03	Inspection glass	565.121
04	Rope seal	565.122
05	Cover	565.123
06	Washer DIN 9021 M 4 4,3/12/1	P...496 C
07	Screw DIN 7981 C 4,2 x 25	P...483 L
08	Metal plate	565.124
09	Seal	565.125
10	Cover black Ø 15,9/18,2x10,3	P...171 L

RA 505 IBC
Fresh water tank

As at: 02/03/16 Time:03:17



RA 505 IBC

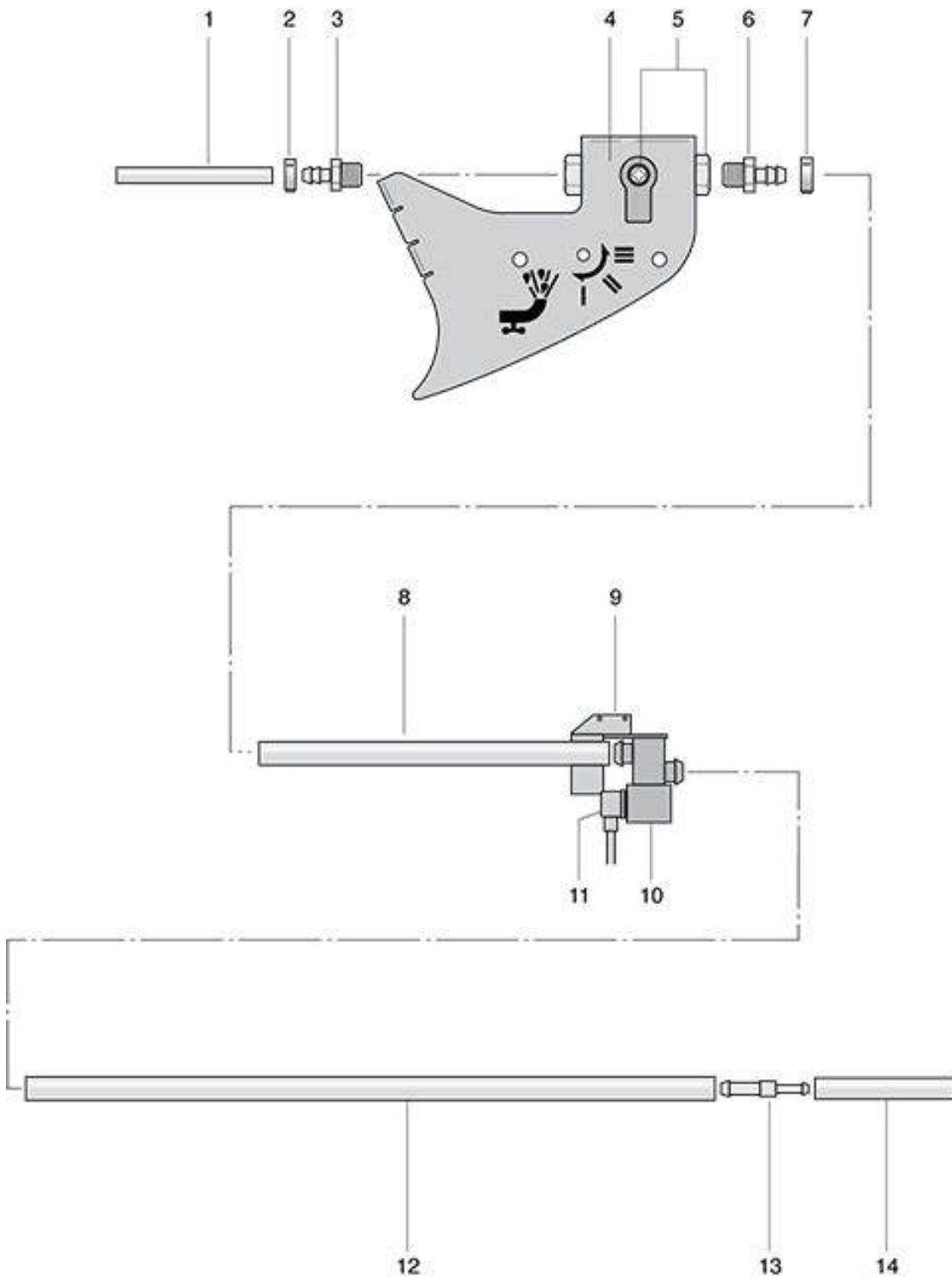
Fresh water tank

As at: 02/03/16 Time:03:17

Pos.	Description	Reference
01	Clean water tank	565.455
02	Suction nozzle suspension	565.520
03	Index plate	565.458
04	Screw DIN 7991 M6 x 10	P...480 K
05	Washer DIN 9021 M6 6,4/18/1,6	P...496 L
06	Hexagon nut DIN 934 M6	P...493 K
07	Washer DIN 9021 M6 6,1/11,8/1,6	P...498 U
08	Screw DIN 912 M6 x 45	P...488 U
09	Spring 85,8x18x2,5mm 25 windings	432.084 A
10	Spring element 20/38 x 48	565.463
11	Clamp metal plate	565.459
12	Spring holder	565.460
13	Screw DIN 7991 M6 x 60	P...479 NB
15	Screw DIN 912 M6 x 22	P...486 X
16	Left list	565.462
17	Castor Ø 125 x 40	565.442
18	Screw DIN 7985 M5 x 8	P...476 AC
19	Clamp metal plate	565.465
20	Round buffer M 6 20x15 mm	060.241
21	Right plate	565.475
22	Left plate	565.476

RA 505 IBC
Hosesystem

As at: 02/03/16 Time:03:17



RA 505 IBC

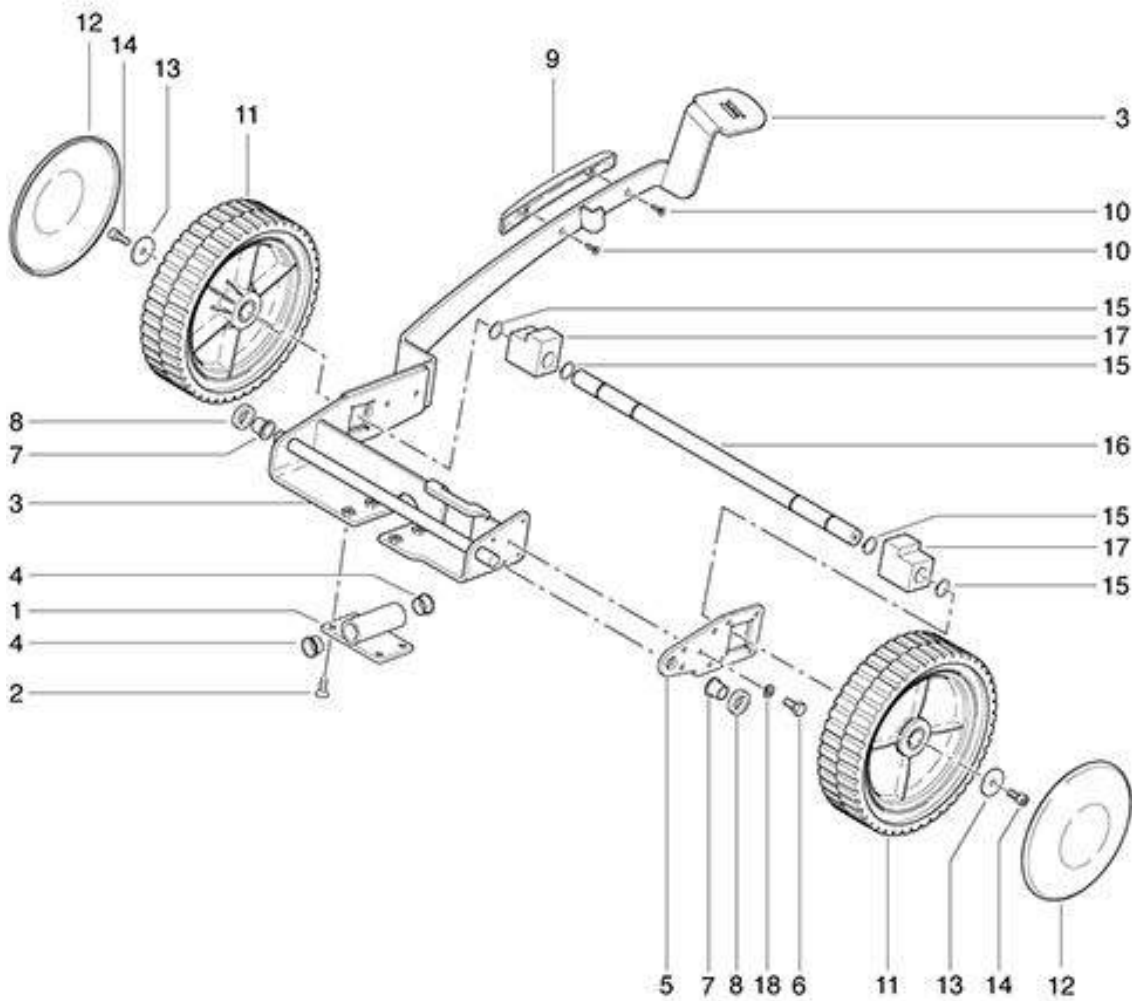
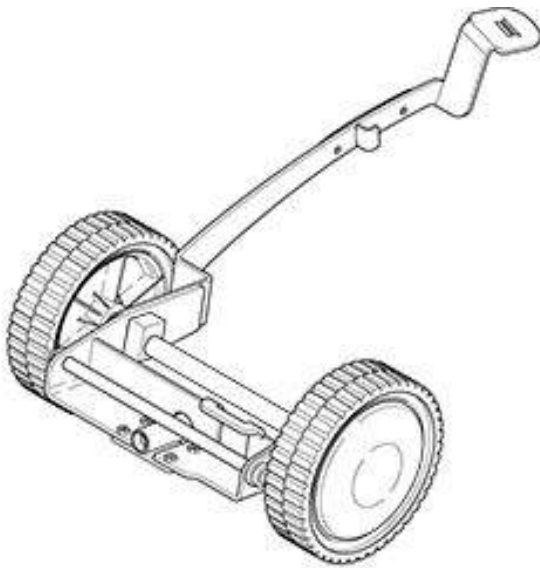
Hosesystem

As at: 02/03/16 Time:03:17

Pos.	Description	Reference
01	Hose Ø 8x80	565.422
02	Hose clip 19.8-706R	P...550 A
03	Nipple 1/2"	P...519 C
04	Support	555.402
05	Ball valve 1/2"	500.355A
06	Nipple 1/2"	P...519 B
07	Hose clip 19.8-706R	P...550 N
08	Hose Ø 12x180	555.404
09	Support	565.403
10	Valve 24V	P...258
11	Cable harness	436.709
12	Hose d12x530	555.403
13	Nipple GRS 12-10	P...540A
14	Hose Ø 10x50	555.405

RA 505 IBC
Lift mechanic

As at: 02/03/16 Time:03:17



RA 505 IBC

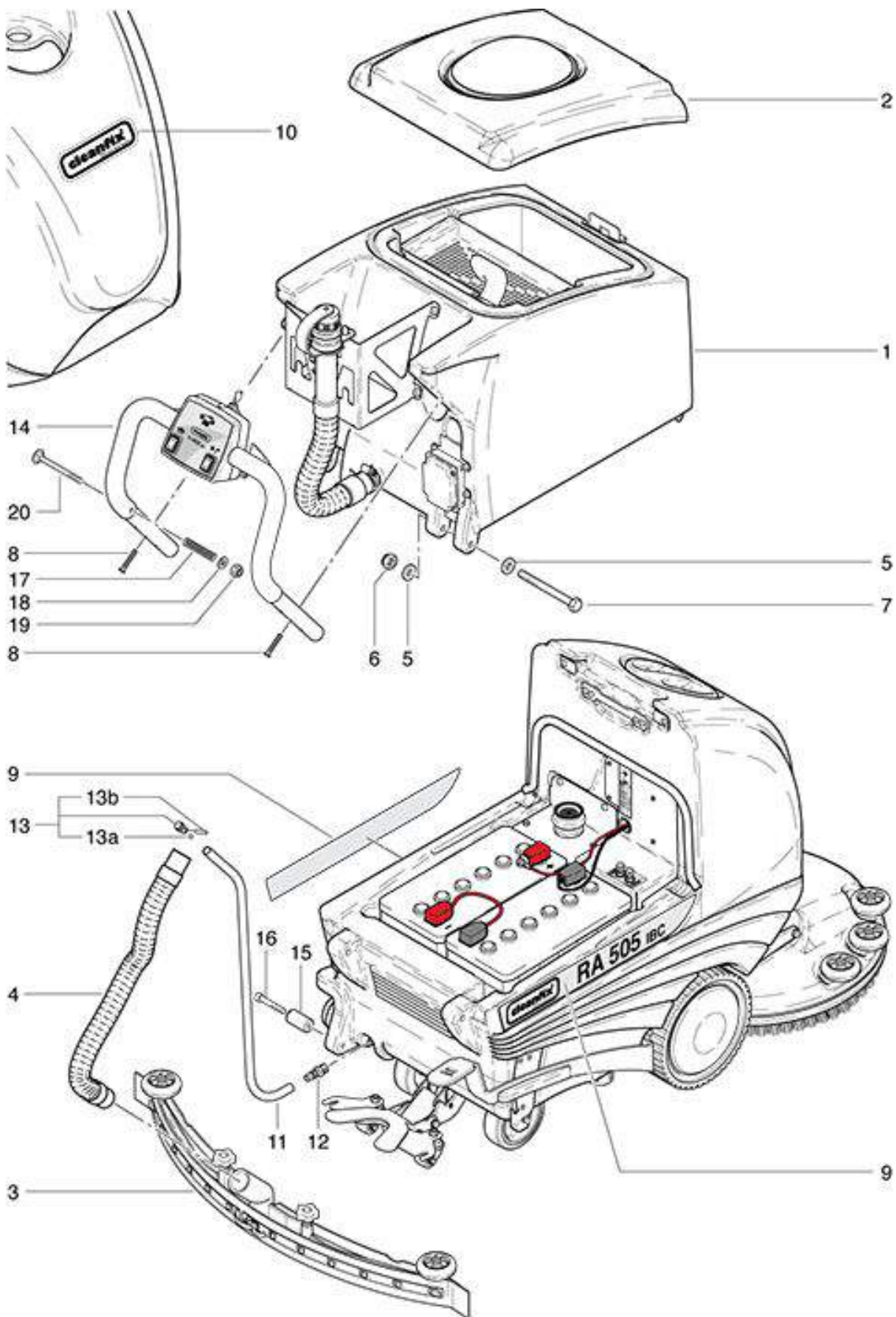
Lift mechanic

As at: 02/03/16 Time:03:17

Pos.	Description	Reference
01	Support	565.249
02	Screw DIN 7991 M8 x 20	P...479 RA
03	Cam mechanic	565.245
04	Floating bearing with connection GFM-2021-20	P...316 E
05	Support diagonal	565.250
06	Screw DIN 933 M6 x 14	P...470 RA
07	Floating bearing with connection GFM-1618-17	P...316 F
08	Distance ring	565.247
09	Bounce protection	565.246
10	Screw WN 1411 KA40 x 16	P...516 GA
11	Blade wheel	555.240
12	Hub cap red	530.242
13	Washer DIN 522 M8 8,4/35/2,5	P...496 PA
14	Screw DIN 933 M8 x 20	P...471 E
15	Ring DIN 471 20/1,2 as from machine no. 9146.000, 4x	P...499 K
16	Axe	555.321
17	axle bearings	555.322
18	Spring ring DIN 127 B M 6 6,1/11,8/1,6	P...498 U

RA 505 IBC
Mounting assemblies

As at: 02/03/16 Time:03:17



RA 505 IBC

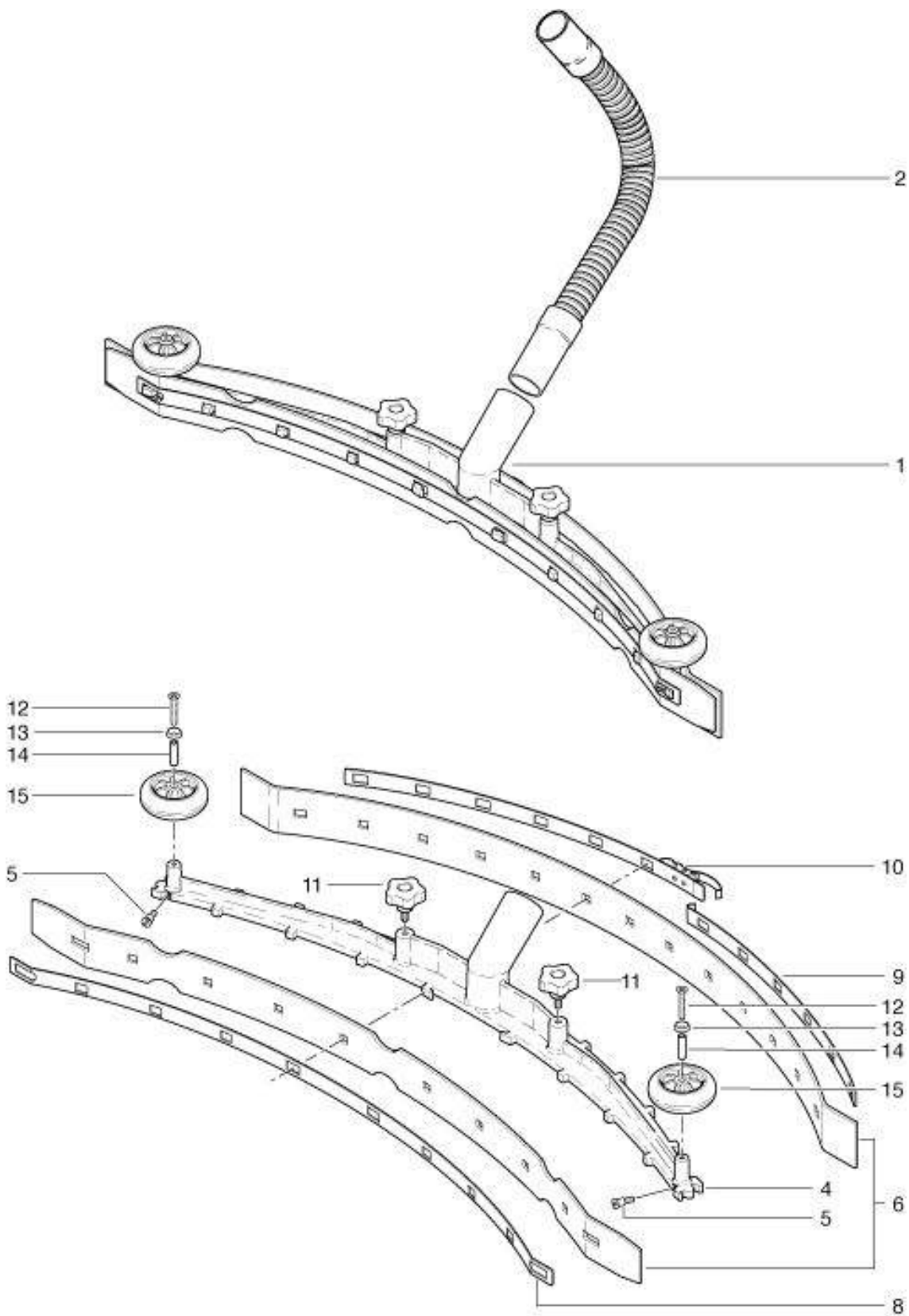
Mounting assemblies

As at: 02/03/16 Time:03:17

Pos.	Description	Reference
01	Waste water tank complete	565.650
02	Cover waste water tank	565.120
03	Suction nozzle curved standard compl.	555.560
04	Hose complete 840mm	565.640
05	Washer DIN 125-1A M12 13/20/2	P...497 S
06	Security nut M 12	P...492 T
07	Screw DIN 931 M 12x120	P...470 N
08	Screw DIN 7991 M 6x40	P...479 NA
09	Decorative strips - set	555.454
10	Biodoming labels \"Cleanfix\"	110
11	Hose PVC Ø 12x2	565.451
12	Nipple GES NW 12 R3/8\"	P...540 N
13	Back-pressure valve compl.	565.445
13a	Ball to spray	P...172 W
13b	Broche ISO 2338 2x12	P...514
14	Binder compl.	555.210
15	stop roller	565.536
16	Screw DIN 912 M 6x40	P...486 Y
17	Spring 54/5/4	565.216
18	Washer DIN 1440 d8 16/2	P...497 P
19	Nut DIN 985 M8	P...492 N
20	Screw DIN 603 M 8x100	P...481 GA

RA 505 IBC
Suction nozzle curved

As at: 02/03/16 Time:03:17



RA 505 IBC

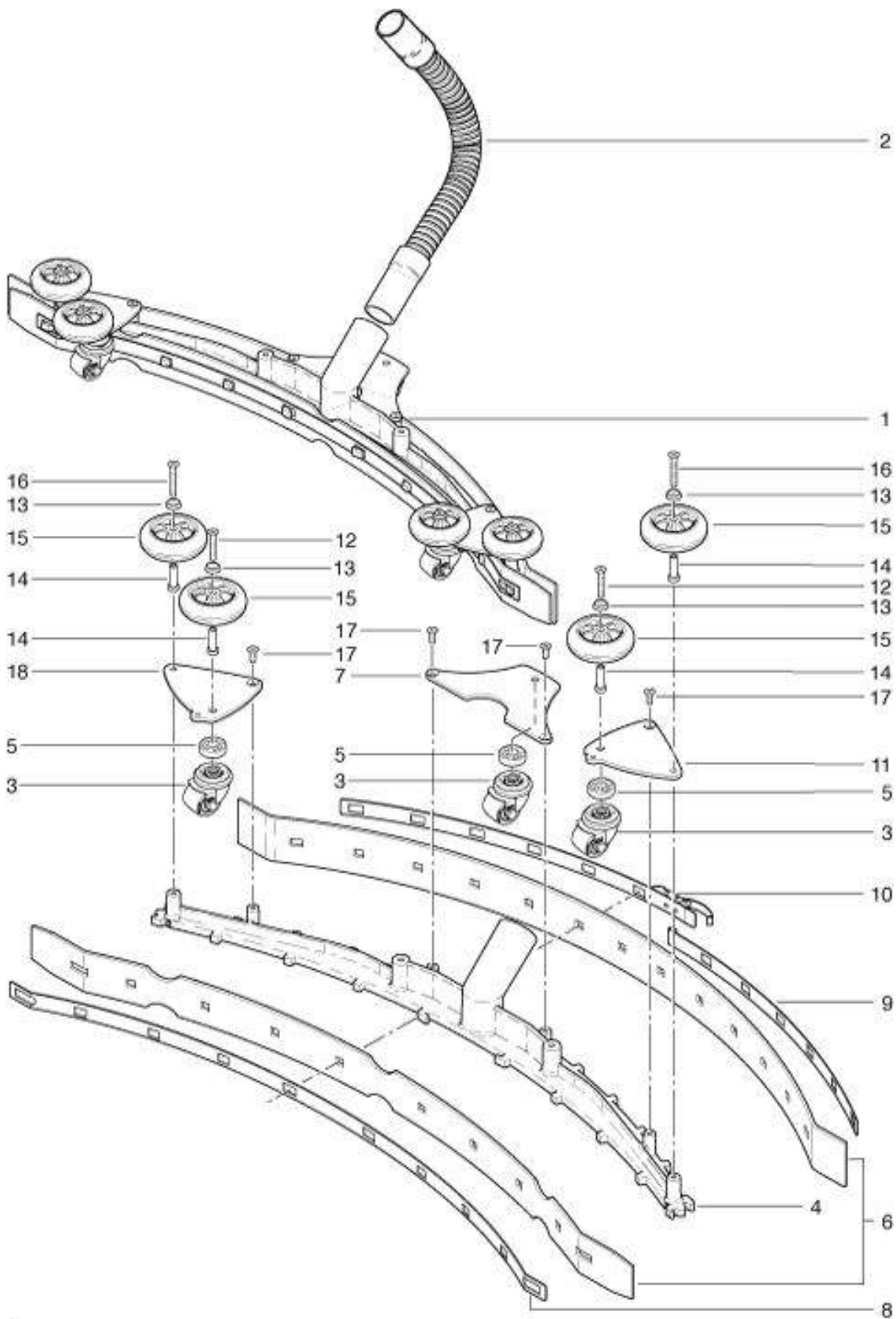
Suction nozzle curved

As at: 02/03/16 Time:03:17

Pos.	Description	Reference
01	Suction nozzle curved standard compl.	555.560
02	Hose complete	701.580
04	Suction nozzle	555.570
05	Shank	555.566
06	Rubber blade standard	565.083
06	Rubber blade oil resistant	565.081
08	Internal fixation	555.564
09	External right fixation	555.562
10	External right fixation	555.563
11	Star handle Ø 62 M8 x 18	P...253 M
12	Screw DIN 7991 M6x40	P...479 NA
13	Washer SN 213912 M6 18/4,8	P...500 Q
14	Shell	555.589
15	Role Ø 75	555.510

RA 505 IBC
Suction nozzle curved-a

As at: 02/03/16 Time:03:17



RA 505 IBC

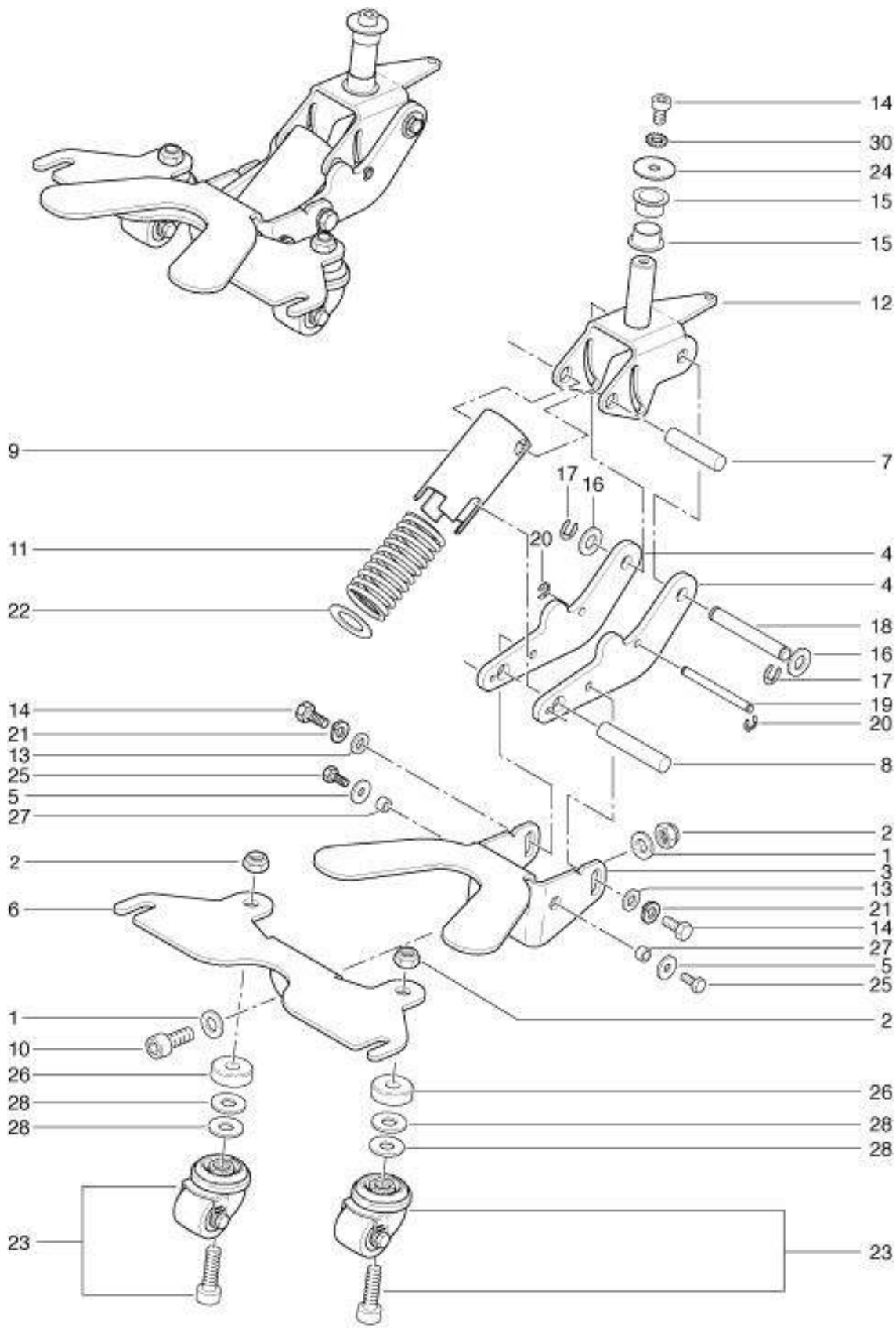
Suction nozzle curved-a

As at: 02/03/16 Time:03:17

Pos.	Description	Reference
01	Suction nozzle curved standard compl.	565.565
02	Hose complete	701.580
03	Castor wheel Ø 35 with Screw	P...209 A
04	Suction nozzle	555.570
05	Distance piece Ø 30x10	565.537
06	Rubber blade standard	565.083
06	Rubber blade oil resistant	565.081
07	Support arrière	565.544
08	Internal fixation	555.564
09	External left fixation	565.542
10	External right fixation	565.541
11	Retaining plate left	565.543
12	Screw DIN 7991 M6x40	P...479 NA
13	Washer SN 213912 M6 18/4,8	P...500 Q
14	Shell	565.586
15	Role Ø 75	555.510
16	Screw DIN 7991 M 6x50	P...479 ND
17	Screw DIN 7991 M 6x16	P...487 W
18	Retaining plate right	565.545

RA 505 IBC
Suction nozzle suspension

As at: 02/03/16 Time:03:17



RA 505 IBC

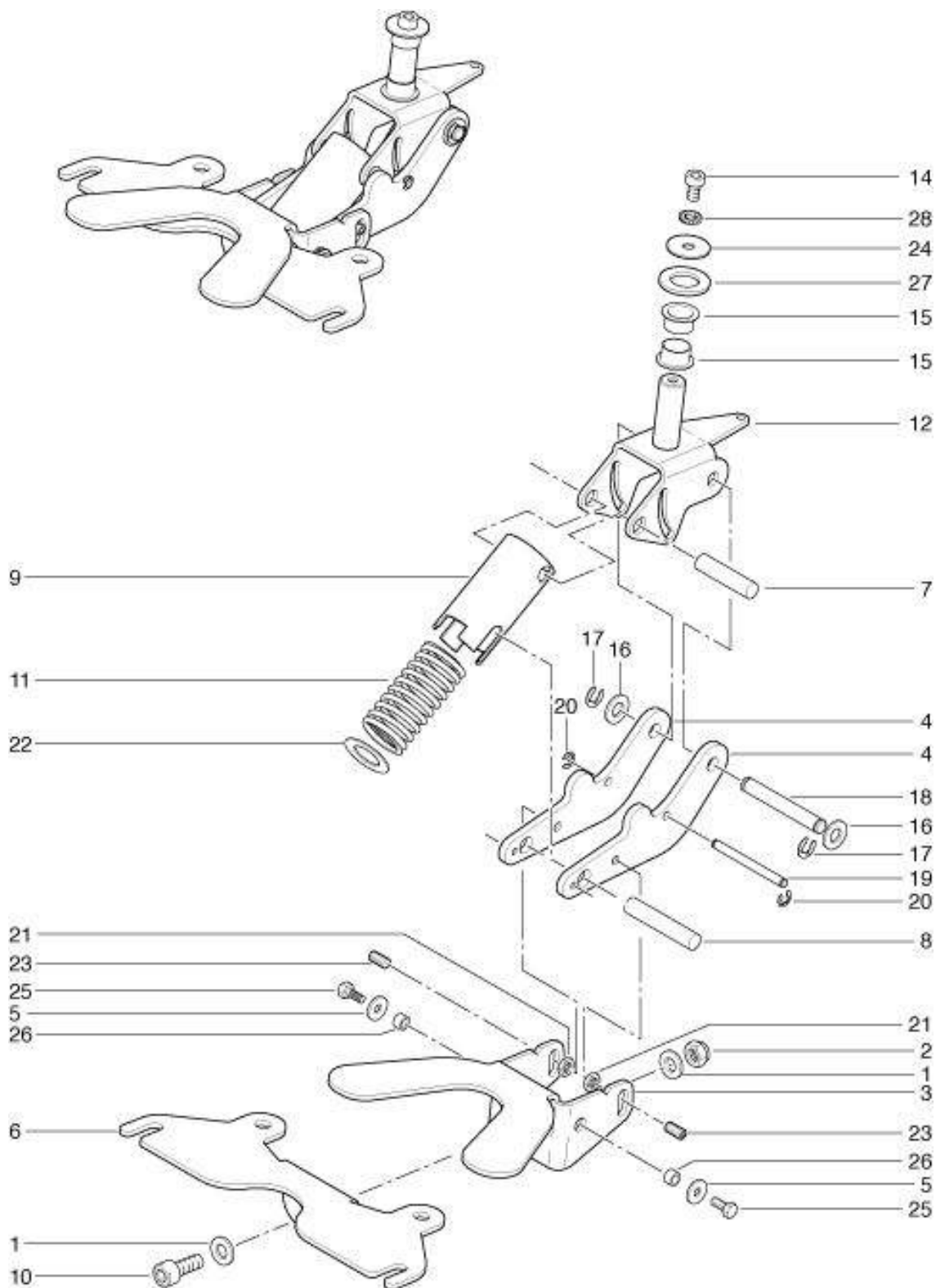
Suction nozzle suspension

As at: 02/03/16 Time:03:17

Pos.	Description	Reference
01	Washer DIN 125-A M10 10,5/20/2 PA6.6	P...510 A
02	Screw nut DIN 985 M10	P...492 Q
03	Tread	565.521
04	Support shaft	565.522
05	Washer DIN 9021 M6 6,4/18/1,6	P...496 L
06	Girder sheet metal	565.523
07	Pin	565.524
08	Pin	565.525
09	Spiral tube	565.526
10	Screw DIN 912 M10 x 25	P...487 K
11	Pressure spring 4x8,5x32x120	565.527
12	Metal plate	565.529
13	Washer DIN 125-A M8 8,4/16/1,6	P...496 P
14	Screw DIN 933 M 8x16	P...471 D
15	Slide bearing GFM-1820-12	P...316 S
16	Screw DIN 125A M10 10,5/20/2	P...496 T
17	Washer DIN 6799 8/16,3/1	P...499 Q
18	Pin	565.530
19	Pin	565.531
20	Washer DIN 6799 5/11,3/0,7	P...513 Z
21	Ring DIN 127 B M 8, 8,1/14,8/2	P...498 N
22	Rondelle DIN 988 25/35/1	P099
23	Castor wheel Ø 35 with Screw	P...209 D
24	Washer DIN 522 M8 8,4/30/1,5	P...500 N
25	Screw DIN 933 M 6x16	P...470 T
26	Distance piece d30x10	565.537
27	Shell	080.267
28	Washer DIN 9021 M10 10,5/30/2,5	P...496 S
30	Washer DIN 6798 M 8 8,4/15/0,8	P...498 G

RA 505 IBC
Suction nozzle suspension-a

As at: 02/03/16 Time:03:17



RA 505 IBC

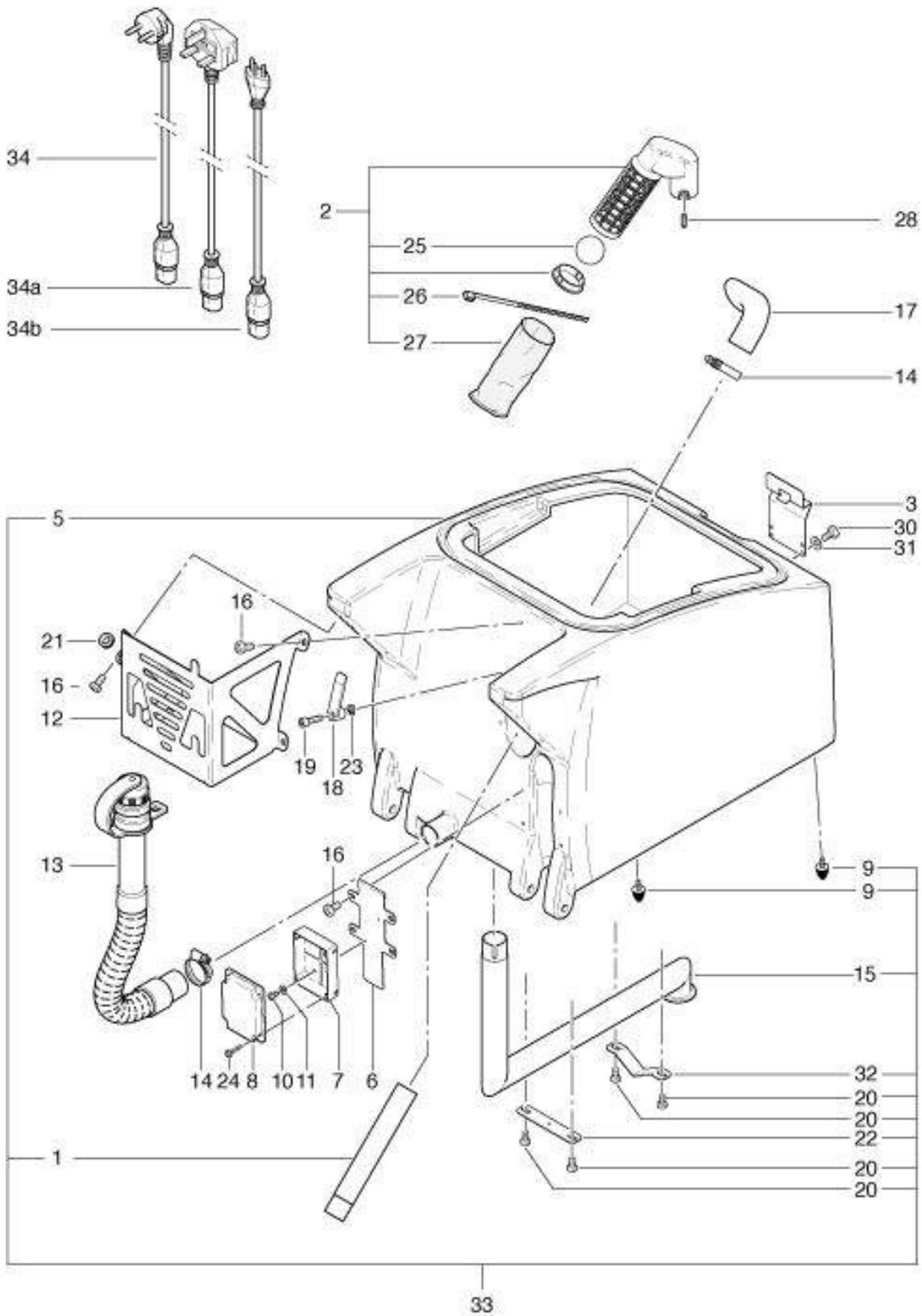
Suction nozzle suspension-a

As at: 02/03/16 Time:03:17

Pos.	Description	Reference
01	Washer DIN 125-A M10 10,5/20/2 PA6.6	P...510 A
02	Screw nut DIN 985 M10	P...492 Q
03	Tread	565.521
04	Support shaft	565.522
05	Washer DIN 9021 M6 6,4/18/1,6	P...496 L
06	Girder sheet metal	565.523
07	Pin	565.524
08	Pin	565.525
09	Spiral tube	565.526
10	Screw DIN 912 M10 x 25	P...487 K
11	Pressure spring 4x8,5x32x120	565.527
12	Metal plate	565.529
13	Washer DIN 125-A M8 8,4/16/1,6	P...496 P
14	Screw DIN 933 M 8x16	P...471 D
15	Slide bearing GFM-1820-12	P...316 S
16	Screw DIN 125A M10 10,5/20/2	P...496 T
17	Washer DIN 6799 8/16,3/1	P...499 Q
18	Pin	565.530
19	Pin	565.531
20	Washer DIN 6799 5/11,3/0,7	P...513 Z
21	Nut DIN 439 M 8	P...491 M
22	Rondelle DIN 988 25/35/1	P...099
23	Stift DIN 913 M 8x16	P...482 XE
24	Washer DIN 522 M8 8,4/30/1,5	P...500 N
25	Screw DIN 933 M 6x16	P...470 T
26	Shell	080.267
27	Flat seal Ø 35/19x2,5	565.401
28	Scheibe DIN 6798 M 8 8,4/15/0,8	P...498 G

RA 505 IBC
Waste water tank

As at: 02/03/16 Time:03:17



RA 505 IBC

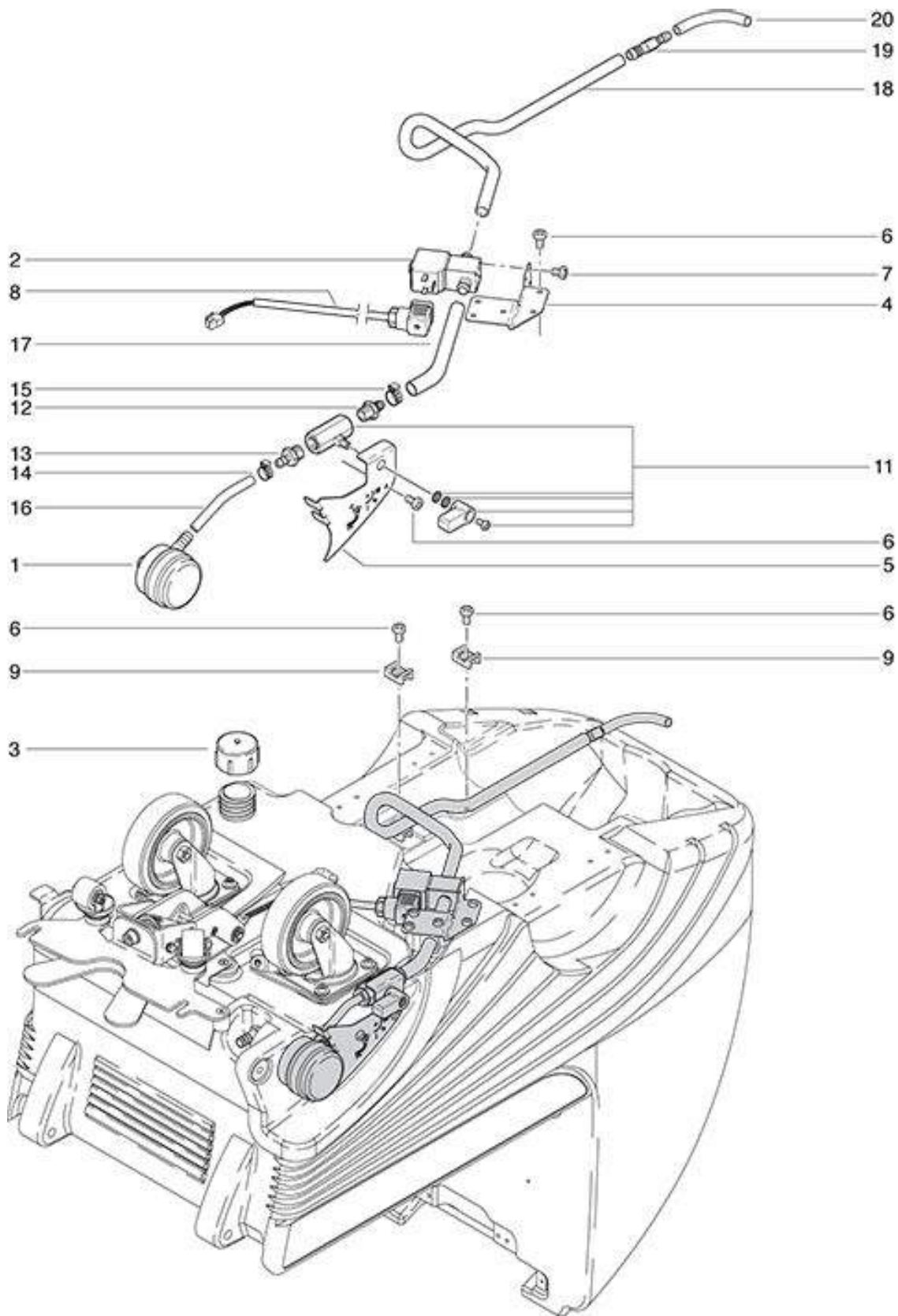
Waste water tank

As at: 02/03/16 Time:03:17

Pos.	Description	Reference
01	Intake Tube 34/30 230mm	432.206
02	Float basket kompl.	432.300
03	Rack element	565.661
04	Wide mesh screen	565.663
05	Waste water tank	565.655
06	Cable holder	565.668
07	Terminal box-Low part	P...379 F
08	Terminal box cover	P...379 A
09	Parabola buffer	P...172 G
10	Screw DIN 7985A M4 x 10 A2	P...481 M
11	Washer DIN 125-A M4 4,3/9/0,8	P...496 D
12	Discharge hose cpl. 630mm	565.665
13	Discharge hose cpl. 630mm	P...561
14	Worm drive hose clip 30-45mm SW7	P...206 F
15	Intake Tube	565.666
16	Screw DIN 7985 M6 x 12	P...476 P
17	Rubber bend	565.662
18	Cable hook	P...087 A
19	Screw DIN 912 M8x30	P...488 V
20	Vis DIN 7985 M5 x 8 à des masch.no. 9151.000	P...476 AC
21	Cable Sleeve 14/8/2	P...207 A
22	Holding plate up to masch.no. 9151.000	565.676
23	Washer DIN 137B M8 8,4/15/1,5 A2	P...499 AB
24	Screw WN 1412 KA30 x 14	P...516 S
25	Ball Ø 45 mm	432.304
26	Cable tie 2.4x203 mm	P...609 B
27	Filter bag	432.315
28	Pin DIN 913 M 6 x 10	P...513 L
29	Warning sticker dirt	565.664
30	Screw DIN 7985 M 6x10	P...476 Q
31	Washer DIN 125A M6 6,4/12/1,6	P...496 K
32	Tube holder up to masch.no. 9151.000	565.675
33	Waste water tank assy. with pipe consisting of items 1,5,9,15,20,22+32	565.651
34	Connection cable VDE	436.790
34a	Connection cable GB	436.792
34b	Connection cable SEV	436.791

RA 505 IBC
Water distribution

As at: 02/03/16 Time:03:18



RA 505 IBC

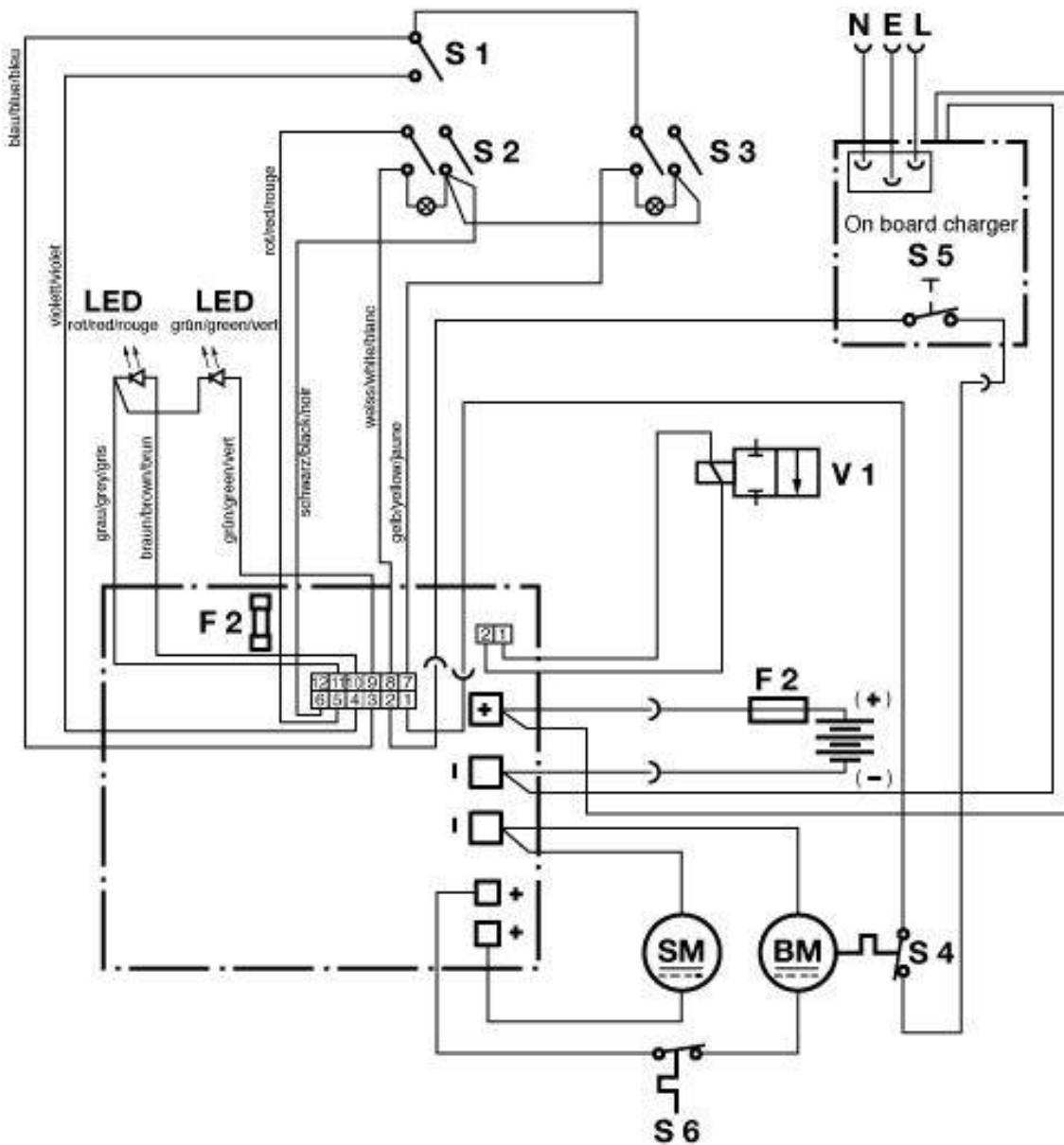
Water distribution

As at: 02/03/16 Time:03:18

Pos.	Description	Reference
01	Fresh water filter	565.760
02	Magnetic valve 24V	P...258
03	Cover	500.410
04	Magnetic valve support	565.403
05	Support Flojet	555.402
06	Screw DIN 7985 M5 x 8 A2	P...476 AC
07	Screw WN 1412 KA40x12	P...516 P
08	Cable harness	436.709
09	Support	125.111
11	Ball valve compl.	500.355
12	Nipple	P...519 C
13	Hose	565.428
14	Hose clip 14,5-706R	P...550 A
15	Hose clip 19.8-706R	P...550 N
16	Hose	565.422
17	Hose Ø 12x180	555.404
18	Hose Ø 12x530	555.403
19	Nipple GRS 12-10	P...540 A
20	Hose Ø 10x50	555.405

RA 505 IBC
Wiring diagram

As at: 02/03/16 Time:03:18



- S 1 = Schalter Bürstmotor / Switch for brush motor / Interrupteur pour moteur
- S 2 = Schalter Ventil / Valve - Switch / Interrupteur pour valve
- S 3 = Schalter Saugmotor / Suction motor switch / Interrupteur pour moteur
- S 4 = Motor Temperaturwächter / Motor Temperature switch
- S 5 = Schalter für Fahrsperrung / Switch for driving barrier /
Commutateur pour amortissement
- S 6 = Motorschutzschalter / Protective switchgear of an engine / Disjoncteur
- BM = Bürstmotor / Motor / Moteur
- SM = Saugmotor / Moteur d'aspiration / Vacuum motor
- V 1 = Ventil / Valve
- F 1 = Sicherung 3.15 A / Fuse 3.15 A / Fusible 3.15 A
- F 2 = Sicherung 75 A / Fuse 75 A / Fusible 75 A

RA 505 IBC

Wiring diagram

As at: 02/03/16 Time:03:18

Pos.	Description	Reference
BM	Motor	555.591
F 1	Fusible 3.15 A	
F 2	Fusible 75 A	560.710
S 1	Tumbler switch for motor	
S 2	Valve - Switch	P...241
S 3	Suction motor switch	P...241
S 4	Key switch	560.361
S 5	Switch for driving barrier	
S 6	Protective switchgear of an engine	
SM	Vacuum motor	440.206
V 1	Valve	P...258